



Bobcat

BIG RED BOOK

THE CARE
ALL BOBCAT
MACHINES
DESERVE



CONTENT

EDITORIAL	2
------------------	----------

PARTS

MAINTENANCE AND CONSUMABLE PARTS	3
---	----------

TIRES	5
RIMS	21
RUBBER TRACKS	25
BATTERIES	35
FILTERS, FILTER & MAINTENANCE KITS	43
LUBRICANTS & ACCESSORIES	65

ATTACHMENT WEAR PARTS	87
------------------------------	-----------

BREAKERS, CHISELS AND TOOLS	89
RING BRUSHES, GUTTER BRUSHES & WHISKERS BROOM BRISTLES	93
BOBCAT FLAIL MOWER CUTTING TOOLS KITS	97
BOBCAT BUCKET TOOTH AND KITS	101
ROAD REHABILITATION TOOLS	115
CUTTING EDGES	119

MACHINE KITS AND OPTIONS	131
---------------------------------	------------

R-SERIES LOADERS KITS AND OPTIONS OVERVIEW	132
CYLINDER COVER KITS FOR EXCAVATORS	135
REAR CAMERA KIT	137
LIGHTS	141
MACHINE IQ TELEMATIC KITS	151
BOB-TACH ATTACHMENT SYSTEMS	155

SERVICE

PROTECTION PLUS	161
MAINTENANCE CALCULATOR	167
BOBCARE PM	171
MACHINE IQ	175
MAINTENANCE INFORMATION	179

Dear Bobcat Partners,

Customer Satisfaction is the ultimate goal of our partnership – and Bobcat has been working relentlessly for more than 60 years to improve its products and develop solutions that nurture this goal. Throughout this time, Bobcat has continued to invest tremendously in understanding our partners' business needs in order to improve our products, develop solutions that enable an extended Dealer-Customer relationship, and, ultimately, deliver an industry-leading service while optimizing our partners' business potential.

The unprecedented times we are living in bring new challenges – and our partnership motto 'Grow Together' has never made more sense than now. We have tough competition, we are experiencing tough times – but we are tough animals, so with that in mind we are launching a new tool that will continue to support your growth and further develop your business.

We have created the Red Book to help you find all relevant information to provide an outstanding service to your customers and strengthen that business relationship. This book is meant to be a 1-stop-shop that you can turn to whenever you need some information or advice to enrich your relationship with your customers and to develop your teams' skills and knowledge on all Bobcat Aftermarket products and services.

The Red Book is intended to be a living document and an indispensable tool in your daily work – so your contribution is crucial to its further development. If there is any question that the Red Book does not address, please feel free to contact your Bobcat aftermarket representative.



Paulo FLORINDO

AFTERMARKET & PRODUCT SUPPORT EMEA SENIOR DIRECTOR



PARTS

**MAINTENANCE AND
CONSUMABLE PARTS**





TIRES

Choosing the best tire is important for machine traction, flotation, wear and overall performance. Tires with the correct pattern, height, width and ply rating will maintain proper operating efficiency and ensure support of maximum loads. Depend on genuine bobcat tires for performance, reliability and superior results in all your tough jobs.



RUBBER TRACKS

Track Loader to not only withstand the most challenging environments, but also to deliver a softer ride and traction needed to bring out the machine's full capabilities. To maximally ease track selection, we simplified Bobcat range and offer two main options to choose from – Premium and Standard to suit your needs and preferences.



BATTERIES

Bobcat equipment needs a battery that can deliver the necessary power while withstanding hard jolts and heat. There's a Bobcat battery specifically designed for your Bobcat equipment.



FILTERS, FILTER & MAINTENANCE KITS

Great way to save time and costs when it's time for machine maintenance – Filter kits offer price advantage compared to ordering filters individually. Tested and proven superior Bobcat quality filters protect your investment and reduce costly downtime.



LUBRICANTS & ACCESSORIES

Bobcat Ultra Engine Power SAE 10W/30 and 15W/40 use the latest additive technology to protect under the most severe engine conditions found in modern low-emission engines. The oils are designed to provide optimal protection that adapts to the working operating conditions resulting in improved soot handling, wear protection and resistance to breakdown under high temperature.

TIRES

Choose the right tire for your application



TIRES

When you depend on performance and reliability, count on Bobcat tires to deliver superior results in all job conditions.

- ▶ DESIGNED TO MAXIMIZE PRODUCTIVITY AND PERFORMANCE OF YOUR BOBCAT EQUIPMENT
- ▶ DEEP TREAD FOR BEST TRACTION AND LONG WEAR LIFE
- ▶ AVAILABLE IN A VARIETY OF TREAD PATTERNS SUITABLE FOR DIFFERENT APPLICATIONS

SKID STEER LOADERS PNEUMATIC TIRES



SKID STEER LOADERS PNEUMATIC TIRES

As Bobcat Skid Steer Loaders are enormously variable machines, used for many different tasks in changing conditions and environments, no single tire can serve all purposes. Choosing the best tire is important for machine traction, flotation, wear and overall performance. Tires with the correct pattern, height, width and ply rating will maintain proper operating efficiency and ensure support of maximum loads. Depend on genuine Bobcat tires for performance, reliability and superior results in all your tough jobs.





CHOOSE THE RIGHT TIRE FOR YOUR APPLICATION



**CUVED LUGS
IMPROVING TIRE
CLEANOUT**



**DEEP THREAD FOR
MAXIMUM TRACTION**



**TOUGH SIDEWALL FOR
MAXIMUM PROTECTION**

		SOFT SURFACE			MIXED SURFACE				HARD SURFACE	
		SNOW	SAND	TURF	MUD	CLAY	DIRT	ROCK	CONCRETE	ASPHALT
SOLID FLEX	SMOOTH SOLID FLEX	○	○	○	○	○	○	○	●	●
	INDUSTRIAL SOLID FLEX	○	○	○	●	●	●	●	●	●
	OFF ROAD SOLID FLEX	●	●	○	●	●	●	●	○	○
PNEUMATIC	HARD DUTY (L5)	○	○	○	○	○	●	●	●	●
	SEVERE DUTY	○	○	○	●	●	●	●	●	●
	VERSATILE DUTY	●	●	○	●	●	●	●	●	●
	HEAVY DUTY	●	●	●	●	●	●	●	○	○
	SUPER FLOAT	●	●	●	●	●	●	○	○	○
	STANDARD DUTY	●	●	●	●	●	●	○	○	○

● Best ● Suitable ○ Not recommended

JOBSITE SURFACE TRACTION →

TIRE PUNCTURE RESISTANCE →



IDEAL FOR...

► Standard Duty

AGRICULTURE
RENTAL
LANDSCAPING



Designed for maximum traction and grip in off-road conditions. Wide and deep center lugs add extra traction and provide enhanced clean-out. Rim protector and thick sidewalls protect wheel from impact damage. Created for normal machine-hour applications, such as agriculture, rental, landscaping, and general construction.

- Durable tread compound prevents downtime and increases productivity.
- Thick sidewalls for greater resistance to damage and puncture.
- Special bead guard for tire and wheel protection.

► Heavy Duty

RENTAL
CONSTRUCTION



Increase your protection against punctures and wheel damage with the extra thick sidewalls, bead guards, higher ply rate and added under-thread protection on Bobcat heavy duty tires. Superior quality rubber, self-cleaning abilities and high ply rating make these tires ideal for rough, high-hour applications such as rental, construction, landscaping and industrial jobs.

- Strong, durable tread compound resists chunking and separation. Special bead guard for tire and rim protection.
- Durable sidewall provides high resistance to flats and punctures.
- Proven and tested tread compound for better wear and resistance to flats compared to standard tires.



► Versatile Duty

CONSTRUCTION
RECYCLING
INDUSTRIAL



When your job site demands an aggressive long-lasting tire for mixed and hard surfaces, choose the Bobcat versatile duty tire. It's designed to take on more abuse than conventional tires, as well as provide good self-cleaning characteristics. The great tread depth and massive lug-to-void ratio increase life and reduce downtime. Ideal performers in construction, recycling, industrial, rental, and other severe applications.

High ply-ratings to minimize flats, increase service life and reduce downtime due to cuts and punctures.

- Deep tread to maximize life.
- High lug-to-void tread ratio performs well on aggressive surfaces.
- Strong sidewall protection against cuts, punctures and side impacts.



► Severe Duty

ROCKY TERRAIN
WASTE AND RECYCLING
DEMOLITION



Popular Severe Duty pattern also available as a factory option. When your job demands an aggressive, long-lasting tread, choose this tire. Its unique non-directional pattern is designed to take on more abuse than a conventional pneumatic tire for recycling, industrial, rental and other tough applications.

Extra deep tread and high lug-to-void ratio ensure exceptional lifespan and durability, while still providing very good self-cleaning.

This is the toughest, most durable pneumatic tire in Bobcat's range. It will deliver extraordinary hours of service and reduced downtime due to cuts and punctures. There's a good reason why it's called "The Rock Tire" in certain countries.

- Perfect for all general construction and severe-duty applications.
- Works great on moderate to hard surfaces such as mixed dirt and rocks and will handle occasional usage on dirt, mud or concrete.
- Not recommended for snow or turf.



IDEAL FOR...

► Hard Duty (L5)

PAVING
DEMOLITION
WASTE AND RECYCLING



A tough, durable L5 tire with exceptionally long life for hard, abrasive and aggressive surfaces. With enhanced tread and side impact resistance, it's ideally suited to tackle the most demanding applications such as paving, demolition, waste and recycling. This tire is all about resistance.

- Extra deep tread to maximize life and minimize flats and downtime due to cuts and punctures.
- 80% lug-to-void ratio performs well on aggressive surfaces.
- Excellent protection against tread impacts.
- Reinforced sidewall for improved side impact resistance and greater stability.



SKID STEER LOADERS PNEUMATIC TIRES

MACHINES	SIZE	SIZE	TYPE	PLY RATING	MOUNTING	PART NUMBER
S70	5.7 × 12	5.7 × 12	Standard Duty	6	Directional	6987697
		5.7 × 12	Heavy Duty	6	Directional	6987698
	8.5 × 12	8.5 × 12	Standard Duty	6	Directional	6987699
		8.5 × 12	Heavy Duty	6	Directional	6987700
S100	8.5 × 15	8.5 × 15	Standard Duty	6	Directional	6987701
		8.5 × 15	Heavy Duty	6	Directional	6987702
		15.5 – 15	Super float	8	Directional	6987710
S450	7 × 15	7 × 15	Narrow Heavy Duty (use with 7267717 rim)	8	Directional	7245025
		7 × 15	Narrow Heavy Duty Assembly Left	8	Directional	7245349**
		7 × 15	Narrow Heavy Duty Assembly Right	8	Directional	7245350**
400–700 series	10 × 16.5	10 × 16.5	Standard Duty	8	Directional	6987704
		10 × 16.5	Heavy Duty	10	Directional	6987705
		10 × 16.5	Heavy Duty Assembly Left	10	Directional	7236000*
		10 × 16.5	Heavy Duty Assembly Right	10	Directional	7236009*
		13 × 16.5	Super float	10	Directional	6987715
		10 × 16.5	Versatile Duty	10	Non-directional	6987706
		10 × 16.5	Severe Duty	10	Non-directional	6730106
		10 × 16.5	Hard Duty L5	10	Non-directional	7273499
	12 × 16.5	12 × 16.5	Standard Duty	10	Directional	6987707
		12 × 16.5	Heavy Duty	12	Directional	6987708
		15.5 × 16.5	Super float	12	Directional	6987711
		12 × 16.5	Versatile Duty	12	Non-directional	6987709
		12 × 16.5	Severe Duty	12	Non-directional	6730108
		12 × 16.5	Hard Duty L5	12	Non-directional	7273498
S850	14 × 17.5	14 × 17.5	Heavy Duty	14	Directional	6987714
		14 × 17.5	Versatile Duty	14	Non-directional	6987716
		14 × 17.5	Severe Duty	14	Non-directional	7139189

* Complete wheel assembly including rim and valve.

** Complete wheel assembly including rim and valve. Use to reduce machine's width below 1400 mm (55.2").

SKID STEER LOADERS SOLID FLEX TIRES

► Off Road Solid Flex

DEMOLITION
CONSTRUCTION
ROCKY TERRAIN



The cushion holes in Solid Tires guarantee lower vibration compared to full solid tires and give more rider comfort while offering high load capacity and cracking resistance. Twin Flex Tires offer unmatched tire performance on various applications, reduced machine bouncing and uncompromised operator comfort. Their multiple rows of cushioning holes improve the flexibility and vibration damping and mimic the comfort characteristics of pneumatic tires.

- Delivered mounted on rims for fastest and easiest replacement. Tires without rims are also available.
- Pattern for maximum off-road traction and excellent clean-out.
- Cushioning holes in the sidewall for shock absorption, smooth and stable ride for the operator's comfort.
- Zero flats and downtime for higher uptime.

► Industrial Solid Flex

ROCKY TERRAIN
WASTE AND RECYCLING
DEMOLITION



Solid Flex non-directional tires provide excellent ride quality and best durability for mixed and hard surface skid steer applications. This tire is a puncture-proof alternative to Bobcat's Versatile, Severe or Hard Duty tires. Designed to reduce downtime due to flat tires, Industrial Solid Flex tires have an aggressive tread pattern – ensuring traction and self-cleaning action – while offering larger lug area compared to Off Road Solid Flex tires for longer life. Aperture design offers low vibration, giving more operator comfort. Large tread depth ensures great performance in severe applications.

- Great for all construction and demolition applications and on hard dirt, rock, concrete or other severe surfaces.
- This versatile, all-condition tire is truly universal and will serve everywhere except on soft dirt or mud.
- Also not recommended for snow or turf.

► Smooth Solid Flex

WASTE AND RECYCLING
ROAD WORK



Exclusively hard surface Solid Flex tire solution for heavy load applications on flat surfaces such as recycling yards or road works. Designed to provide comfortable ride thanks to cushioning aperture, with special cracking reducing design, while delivering excellent stability and the best tread life on dry hard-surface operations.

- Best for recycling and flat surface concrete or tarmac.
- Not recommended for mud, clay, sloped surfaces or other off-road applications.
- Not recommended for snow or turf.





SKID STEER LOADERS SOLID FLEX TIRES ASSEMBLIES

MACHINES	PNEUMATIC SIZE EQUIVALENT	SIZE	TYPE	PRODUCT TYPE	CUSHIONING ROWS	LEFT SIDE PART NO.	RIGHT SIDE PART NO.	MOUNTING	NOTE
S70	5.7 x 12	5.7 x 12	Off Road Solid Flex	Solid Flex Assembly	1	7365904	7365903	Directional	79-21 offset reducing machine's width under 915 mm (36"), grey rim
		5.7 x 12	Off Road Solid Flex	Solid Flex Assembly	1	7365907	7365906	Directional	79-21 offset reducing machine's width under 915 mm (36"), orange rim
		23 x 5.7-12	Off Road Solid Flex	Solid Flex Assembly	1	7332629		Directional	50-50 (zero offset)
	8.5 x 12	23 x 8.5-12	Off Road Solid Flex	Solid Flex Tire	1	6987759*		Directional	
		23 x 8.5-12	Off Road Solid Flex	Solid Flex Assembly	1	6987748		Directional	
S100	8.5 x 15	27 x 8.5-15	Off Road Solid Flex	Solid Flex Tire	1	6987688*		Directional	
		27 x 8.5-15	Off Road Solid Flex	Solid Flex Assembly	1	6987679	6987678	Directional	
		28 x 9-15	Industrial Solid	Solid Assembly	0	7351895**		Non-directional	
400-700 series S66, S76	8.5 x 16	30 x 8.5-16	Off Road Solid Flex	Solid Flex Tire	2	6987689*		Directional	
		30 x 8.5-16	Off Road Solid Flex	Solid Flex Assembly	2	6987681	6987680	Directional	
	10 x 16.5	30 x 10-16	Off Road Solid Flex	Solid Flex Assembly	2	6987683	6987682	Directional	
		31 x 10-20	Off Road Solid Flex	Solid Flex Tire	1	7246222*	7246223*	Directional	
		31 x 10-20	Off Road Solid Flex	Solid Flex Assembly	1	7246212	7246213	Directional	Orange rim
		31 x 10-20	Off Road Solid Flex	Solid Flex Assembly	1	7296992	7296993	Directional	Grey rim
		31 x 10-20	Industrial Solid Flex	Solid Flex Assembly	1	7313443		Non-directional	
	12 x 16.5	31 x 10-20	Smooth Solid Flex	Solid Flex Assembly	1	7312257		Non-directional	
		33 x 12-16	Off Road Solid Flex	Solid Flex Tire	2	6987691*		Directional	
		33 x 12-16	Off Road Solid Flex	Solid Flex Assembly	2	6987685	6987684	Directional	203.2 mm (8") circle bolt Ø
33 x 12-16		Off Road Solid Flex	Solid Flex Assembly	2	6904633	6904634	Directional	273 mm (10.75") circle bolt Ø	
33 x 12-20		Off Road Solid Flex	Solid Flex Assembly	1	7246214	7246215	Directional		
33 x 12-20		Off Road Solid Flex	Solid Flex Assembly	1	7296996	7296997	Directional		
33 x 12-20		Industrial Solid Flex	Solid Flex Assembly	1	7313442		Non-directional	203.2 mm (8") circle bolt Ø	
33 x 12-20		Industrial Solid Flex	Solid Flex Assembly	1	7313441		Non-directional	273 mm (10.75") circle bolt Ø	
S850	14 x 17.5	36 x 14-20	Off Road Solid Flex	Solid Flex Tire	1	7246218*	7246219*	Directional	
		36 x 14-20	Off Road Solid Flex	Solid Flex Assembly	1	7246216	7246217	Directional	
		36 x 14-20	Off Road Solid Flex	Solid Flex Tire	2	6987692*		Directional	
		36 x 14-20	Off Road Solid Flex	Solid Flex Assembly	2	6987775	6987776	Directional	
		36 x 14-20	Industrial Solid Flex	Solid Flex Assembly	1	7313440		Non-directional	
		36 x 14-20	Smooth Solid Flex	Solid Flex Assembly	1	7313439		Non-directional	

* Separate Solid Flex tire. Rim is not included

** Fully solid tire without the apertures

1 DELIVERED MOUNTED ON RIMS FOR FASTEST AND EASIEST REPLACEMENT. SEPARATE TIRES ARE ALSO AVAILABLE

2 PATTERN FOR MAXIMUM OFF-ROAD TRACTION AND EXCELLENT CLEAN-OUT

3 CUSHIONING HOLES IN THE SIDEWALL FOR SHOCK ABSORPTION, SMOOTH AND STABLE RIDE

4 ZERO FLATS AND DOWNTIME FOR LOWEST OPERATING COSTS



Some measurements have been rounded to the nearest number. Specifications are provided for comparison purposes only and are subject to change without notice.

IMPORTANT

Inflate tires to the maximum pressure shown on the sidewall of the tire. Check tire pressure frequently and always maintain the correct tire pressure. Use tires with the correct load rating for proper operation.

⚠ WARNING: AVOID INJURY OR DEATH

Do not inflate the tires above the recommended pressures shown in the Operation & Maintenance Manual, or on the side of the tire. DO NOT mix brands of tires used on the same equipment. Check tires regularly for wear, damage and pressure. The rim flange must be cleaned and free of rust. Installing or repairing a tire on the rim must be done by qualified personnel with the proper equipment. Failure to use correct tire mounting procedure can cause an explosion which can result in injury or death.

SKID STEER LOADERS TIRES POSITIONING

Are you still unsure which Bobcat tire is the best for your needs and whether it is available in desired size? Check below charts for a quick and easy identification of recommended surface type for each type and its puncture resistance.



How to read the chart? Here are some examples:

- Standard and Heavy Duty tires are great for off-road conditions, slippery and soft terrain where the maximum traction and grip are required. They excel there but won't last long when used on abrasive asphalt or concrete. Do you need higher puncture protection for the same terrain? Choose off-road Solid Flex tire.
- For working exclusively on even road or scrapyard floor, where lack of traction is never an issue, the smooth solid flex tire will offer maximum life, puncture protection and ride without vibrations.
- Versatile or Severe duty tires offer best of both worlds – enough grip in off-road applications, except the muddiest terrain and higher protection and tire life for severe, rocky conditions.

BOBAT TIRES TYPES AND SIZES									
SIZE	STANDARD DUTY	HEAVY DUTY	SUPER FLOAT	VERSATILE DUTY	SEVERE DUTY	HARD DUTY (L5)	OFF ROAD SOLID FLEX	INDUSTRIAL SOLID FLEX	SMOOTH SOLID FLEX
5.7 × 12	●	●					●		
8.5 × 12	●	●					●		
7 × 15		●							
8.5 × 15	●						●	●	
15.5 × 15			●						
8.5 × 16		●					●		
10 × 16.5	●	●		●	●	●	●	●	●
13 × 16.5			●						
12 × 16.5	●	●		●	●	●	●	●	●
15.5 × 16.5			●						
14 × 17.5		●		●	●		●	●	●



* Fully solid tire without the apertures

SNOW CHAINS FOR LOADERS

Do you need more bite when clearing snow with your skid steer or moving around icy jobsite? Be ready for anything nature throws at you with Bobcat snow chains.

Keep your equipment running efficiently with Bobcat snow chains that bite when you need traction. Great not only for snow and ice, but also other difficult conditions such as mud.

Skid steer chains need to withstand the constant twisting and pivoting that makes Bobcat skid steers so effective. Bobcat offers heavy duty snow chains in most common sizes. Ladder style cross chains ensure good contact with surface for maximum traction, longer and even wear.



BOBCAT SNOW CHAINS

MACHINES	SIZE	PART NUMBER	PRODUCT DESCRIPTION
S70	23 × 8.5–12	6901685	SNOW CHAIN SET (2 CHAINS)
S100	27 × 8.5–15	6901686	SNOW CHAIN SET (2 CHAINS)
S100 Super Float Tires	31 × 15.5	6901689	SNOW CHAIN SET (2 CHAINS)
400–500 series	10 × 16.5	6901687	SNOW CHAIN SET (2 CHAINS)
600–700 series	12 × 16.5	6901688	SNOW CHAIN SET (2 CHAINS)

All chains are sold in pair.



TELESCOPICS TIRES



Telescopic Handlers and Loaders performing heavy-duty and high-productivity jobs rely on stability, balance, and traction offered by our engineering approved tires. Exceptional damage resistance and excellent traction even in wet and difficult conditions are crucial to the proper operation of your Bobcat telescopic machine.



AGRICULTURAL		SEMI-INDUSTRIAL, MULTI-PURPOSE			SEVERE HARD SURFACE
XMCL	T37 STABILARGE	TM R4	SP T9 MPT	ALLIANCE 580	BIBLOAD
MPT-06	HAULER SKS	POWER CL	AR-01	TRI STEEL	

TELESCOPICS SOLID FLEX WHEEL ASSEMBLIES							
RIM SIZE	TIRE SIZE	APPLICATION	BRAND	PATTERN	PART NUMBER	NOTE	CONDITION
24	13.00-24	Solid Flex – Extreme Duty Flat Free	Camso	792S	7323493-0*	Orange rim, Left	Tires to be used only with TL34.65HF, TL35.70, TL38.70HF and TL43.80HF machines equipped with Waste Expert pack.
		Solid Flex – Extreme Duty Flat Free	Camso	792S	7323494-0*	Orange rim, Right	

* Complete wheel assembly including rim



TELESCOPICS PNEUMATIC TIRES

RIM SIZE	TIRE SIZE	APPLICATION	BRAND	PATTERN	PART NUMBER
17	15 × 55 × 17	Agricultural	Mitas	MPT-06	85980.1
17.5	14 × 17.5/14	Agricultural	Camso	Hauler SKS	6987714
20	400/70-20	Agricultural	Michelin	XMCL	7284862
		Construction & Industrial	ATG	Alliance 580	7330219
		Agricultural	Dunlop	T37 Stabilarge	7160222
		Hard surface	Michelin	Bibload	7265291
	405/70-20	Agricultural	Camso	TM R4	7253906
		Semi-industrial	Dunlop	SP T9 MPT	7192649
22.5	445/65-22.5	Agricultural	Mitas	MPT-06	7021769
		Multi-purpose	Mitas	AR-01	7014959
24	400/70-24	Agricultural	Michelin	XMCL	7246047
		Multi-purpose	Michelin	Power CL	7176736
	400/80-24	Agricultural	Camso	TM R4	7230672
		Construction & Industrial	ATG	Alliance 580	7330220
	405/70-24	Semi-industrial	Dunlop	SP T9 MPT	7192650
		Severe, recycling	Nokian	TRI Steel	7192651
	460/65-24	Agricultural	Michelin	XMCL	7160204
		Construction & Industrial	ATG	Alliance 580	7344689
	460/70-24	Hard surface	Michelin	Bibload	7323392
500/70-24		Agricultural	Michelin	XMCL	7188516



DOWNLOAD
TIRES
REFERENCE
GUIDE



BACKHOE LOADERS PNEUMATIC TIRES



Bobcat Backhoe Loaders are versatile machines and can easily be configured for a variety of applications – and correct tire choice will help unleash their full potential!

Our tires are designed and selected to maximize the productivity and performance of your Bobcat Backhoe Loader. Whatever your job – digging, trenching, breaking or material handling – we have the tire to get it done efficiently. 2 main categories are available:

- ▶ PATTERNS FOR MOSTLY SOFT TERRAIN, OFF-ROAD APPLICATIONS
- ▶ VERSATILE PATTERNS FOR MIXED TO HARD SURFACES.



MIXED SOFT TERRAIN

SL R4 & TM R4 PATTERNS

Heavy-duty durability and off-road traction

- Designed for extended tire life, heavy-duty durability and superior traction in severe off-road conditions
- Heavy-duty carcass for improved stability and side impact resistance
- Tread design improves self-cleaning for excellent traction
- Extra-deep tread increases tread life and off-road traction

SL R4



TM R4



HARD

SOFT

MIXED HARD TERRAIN

4L I3 & BHL 753 PATTERNS

Comfort, smooth ride and durability for mixed surfaces

- Versatile tread patterns for reduced vibrations, enhanced driving comfort and long tire life
- Protection against tread impacts and punctures
- Provides excellent stability and side impact resistance

4L I3



BHL 753



HARD

SOFT



BACKHOE LOADERS PNEUMATIC TIRES

SIZE	MOUNTING SIDE	APPLICATION	RECOMMENDED SURFACE	PATTERN	PN	B700	B730	B750	B780
9.0-16	Front	Pettas	Mixed Soft	60% soft / 40% hard	7289988	● (2WD)			
		Michelin	Mixed Soft	60% soft / 40% hard	7301867				
12.5-18	Front	Pettas	Mixed Soft	60% soft / 40% hard	7289983	● (4WD)	●		
		Michelin	Mixed Soft	60% soft / 40% hard	7301868				
		SL R4	Mixed Soft	60% soft / 40% hard	7365322				
		4L I3	Mixed Hard	40% soft / 60% hard	7365323				
14.5-20	Front	Pettas	Mixed Soft	60% soft / 40% hard	7293064			●	
		Michelin	Mixed Soft	60% soft / 40% hard	7301869				
		TM R4	Mixed Soft	60% soft / 40% hard	7253906				
		4L I3	Mixed Hard	40% soft / 60% hard	7365324				
16.9-28	Front / Rear	Pettas	Mixed Soft	60% soft / 40% hard	7289982				
		Michelin	Mixed Soft	60% soft / 40% hard	7301870	●	●	●	●
		SL R4	Mixed Soft	60% soft / 40% hard	7365326	(R)	(R)	(R)	(F+R)
		BHL 753	Mixed Hard	40% soft / 60% hard	7365327				



DOWNLOAD
BHL TIRES
REFERENCE
GUIDE



RIMS

Bobcat genuine rims are tested and validated to ensure proper fit on the machine and guarantee trouble-free service



RIMS

Bobcat genuine rims are tested and validated to ensure proper fit on the machine and guarantee trouble-free service without cracking, tire mounting issues or slippage under heavy use.



LOADERS RIMS SIZE GUIDE

Tires are designed to work best with corresponding internal rim width. Pairing the tire with the correct rim will ensure achieving the best loading capacity, traction, machine stability, tire life, protection and other parameters.

FOLLOW THIS SIMPLE GUIDE TO QUICKLY IDENTIFY THE RIM SIZE TO FIT THE MOST COMMON BOBCAT SKID STEER LOADERS TIRE SIZES.

TIRE SIZE	RIM DIAMETER	RECOMMENDED RIM SIZE (DIAMETER x WIDTH)
23 x 5.7-12	12	12 x 5
23 x 8.5-12		12 x 7
27 x 8.5-15	15	15 x 7
31 x 15.5 - 15 Super Float		15 x 13
10-16.5	16.5	16.5 x 8.25
12-16.5		16.5 x 9.75
13-16.5 Super Float		16.5 x 9.75
15-16.5 Super Float		16.5 x 12
14-17.5	17.5	17.5 x 10.5

OFFSET RIMS

Rim offset is the distance from the hub mounting surface to the center line of the wheel. The correct offset value is important for ensuring proper wheel fit on the machine. In addition to standard offset, some of the Bobcat rims for Loaders are also offered in an offset variant. Offset rims allow fitting wider, super float tires.

WHEN PAIRED WITH STANDARD WIDTH TIRES, OFFSET RIMS INCREASE MACHINE TRACK WIDTH FOR MORE STABILITY.



SKID STEER LOADERS RIMS						
RIM DIAMETER (")	RIM WIDTH (")	RIM SIZE	BOLT PATTERN	NOTE	PART NUMBER	MODEL
12	5	12 × 5	114 mm (4.5")		7225123	S70
		12 × 5	114 mm (4.5")		7225122	440; 443; 450; 453; 463
	7	12 × 7	114 mm (4.5")		7225125	S70
		12 × 7	114 mm (4.5")		7225124	440; 443; 450; 453; 463
15	6	15 × 6	152 mm (6")	Offset	7225126	S100
	8	15 × 8	152 mm (6")	No offset	6686872	S100
	7	15 × 7	203 mm (8")	For 7 × 15 tire 7245025	7267717	S450
	13	15 × 13	152 mm (6")		6658846	751; 753; 763; 773; 7753; 863; 873
15 × 13		203 mm (8")		6561095	645; 653; 741; 742; 743; 751; 753; 773; 843; 853; 863; 873	
16.5	8.25	16.5 × 8.25	152 mm (6")		6565237	630; 631; 632; 641; 642; 643
		16.5 × 8.25	203 mm (8")		7208252	S450; S510; S530; S550; S570; S590; S595
		16.5 × 8.25	203 mm (8")		7247451	S130; S450; S510; S530; S550; S570; S590; S595, S66
		16.5 × 8.25	203 mm (8")		7234460	S130; S150; S160; S450; S510; S530; S550; S570; S590; S595
		16.5 × 8.25	203 mm (8")	Offset	7232568	S130; S150; S160; S175; S185; S205; S510; S530; S550; S570; S590; S595
		16.5 × 8.25	203 mm (8")	Offset	7400550	S66
	9.75	16.5 × 9.75	203 mm (8")		7232567	S130; S150; S160; S175; S185; S205; S220; S250; S300; S510; S530; S550; S570; S590; S595; S630; S650; S76
		16.5 × 9.75	203 mm (8")	Offset	7232565	S220; S250; S300; S630; S650; S76
		16.5 × 9.75	203 mm (8")		7408135	S66
		16.5 × 9.75	273 mm (10.75")		7225127	A220; A300; A770; S750; S770
		16.5 × 9.75	273 mm (10.75")	Offset	7225128	S740; S750; S770
	12	16.5 × 12	203 mm (8")		6732847	S220; S250; S300; S630; S650; S76
		16.5 × 12	203 mm (8")		6728991	863; 873; 883; S250
		16.5 × 12	273 mm (10.75")		6729990	A220; A300; A770; S750; S770
17.5	10.5	17.5 × 10.5	273 mm (10.75")		7144829	S850





TELESCOPIC LOADERS RIMS

RIM DIAMETER	NOTE	PART NUMBER	MODEL
17		6914892.0	T2556; T2566; V518; VR518
17.5		6920676.0	T2250; V417
20		6914895.0	T35100; T35100L; T35100SL; T35120L; T35120SL; VR530C; VR723
	-3 mm offset	7239290-0	TL26.60; TL30.60; TL30.70; TL358; V519
	+12.5 mm offset	7160212-0	TL34.65HF; TL35.70; TL360; TL38.70HF; TL470; TL470HF
22.5	Standard wheel	7021553	TR40250; TR40250 Evo; TR45190; TR50190 Evo; TR50210; TR50210 Evo
	Agri wheel	7014960	TR40250; TR45190; TR50210
24	+29 mm offset	7214831-0	T35.130S; T35.130SLP; T35.140S; T35130S; T35130SL; T35140S; T40.180SLP; T40140; T40170; T40180; T41.140SLP
	+12.5 mm offset	7160199-0	TL34.65HF; TL35.70; TL360; TL38.70HF; TL43.80HF; TL470; TL470HF; V723
	-3 mm offset	7239241-0	TL26.60; TL30.60; TL30.70; TL358
	+12.5 mm offset	7160199-G	TL34.65HF; TL35.70; TL360; TL38.70HF; TL43.80HF; TL470; TL470HF; V723
24	+12.5 mm offset	7188514-0	TL34.65HF; TL35.70; TL360; TL38.70HF; TL470; TL470HF
	+12.5 mm offset	7341102-0	TL43.80HF



BACKHOE LOADERS RIMS

MODEL	NOTE	PART NUMBER
B700	Front (2WD)	7289989
	Front (4WD)	7289984
	Rear	7289981
B730; B53R11001 & Above; B53S11001 & Above; B53T11001 & Above	Front	7408569
	Rear	7408568
B730; B45111001 & Above; B4B611001 & Above B750; B45211001 & Above; B4BM11001 & Above	Front	7393494
	Rear	7291676
B750	Front (4WD)	7293063
B780	Front & Rear (4WD)	7293433



RUBBER TRACKS

Bobcat Parts offer a wide variety of track sizes and patterns to satisfy your needs for any type of application



RUBBER TRACKS

Maximize your Bobcat equipment productivity with high performing and durable Genuine rubber tracks, engineered, tested and proven specifically for your Excavator or Track Loader to not only withstand the most challenging environments, but also to deliver a softer ride and traction needed to bring out the machine's full capabilities.

To make track selection easy, we simplified the Bobcat range and offer 2 main options to choose from – Premium and Standard – to suit your needs and preferences.

For maximum convenience, selected excavator tracks offer an extended warranty period of up to 24 months (or 2000 hours) or even 36 months (or 3000 hours).



▶
WATCH
TRACKS
VIDEO



BOBCAT PREMIUM RUBBER TRACKS

At Bobcat, we always recommend using genuine Premium Bobcat rubber tracks, the same product as used in our serial production, engineered and verified to provide the best performance and longest service life.

Thanks to our internal testing and partnering with the industry-leading suppliers we are making sure these are the best tracks available on the market for each Bobcat machine.

- Developed and tested specifically for Bobcat equipment.
- Superior quality rubber tracks used in serial production.
- Longest service life – ideal for high hours of construction work.
- Minimal vibrations for operators' comfort thanks to vibration-mitigating technology.
- Premium excavators' tracks come with extended warranty period up to 24 months or 2000 hours or even 36 months or 3000 hours.

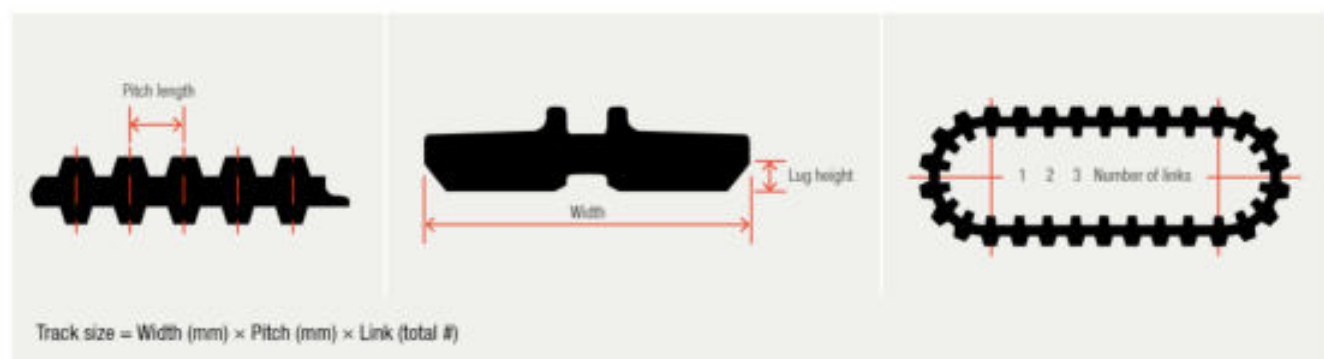
BOBCAT STANDARD RUBBER TRACKS

We realize that the no-compromise approach to quality that we apply to Premium tracks comes with a price, which cannot always be justified in the eyes of the customer.

That's why we also offer a range of Bobcat Standard rubber tracks. These tracks are intended for less demanding applications, fewer hours of operation, or other situations in which the customer requires an economical solution with Bobcat quality.

- Ideal solution for older machines, lower operating hours or less demanding applications.
- Economical alternative to Premium tracks.
- Slightly adapted Bobcat approved tracks, developed to correspond with market value.
- Standard Loader tracks use the same favored "C" pattern as Premium.
- Standard tracks have an expected service life of 80% of the Premium tracks' service life, based on usage in moderate working conditions.

TRACKS DIMENSIONS



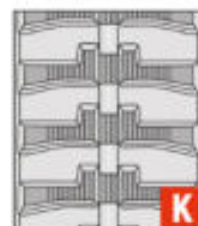
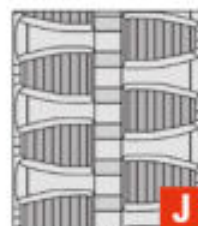
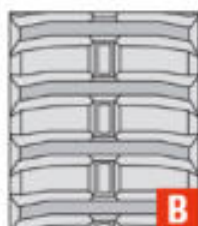
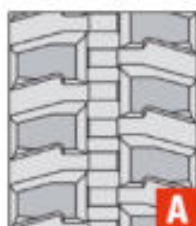
BOBCAT COMPACT EXCAVATOR TRACKS



While compact excavator tracks are commonly used at lower speeds, and for less aggressive applications than those for a compact tracked loader, they can also be subjected to the same demanding working conditions, which put a lot of stress on the tracks

Bobcat rubber tracks are designed to meet the operational and performance requirements of Bobcat excavators. Not only do they withstand tough operating conditions, they also provide a smooth ride and optimized operational costs, without sacrificing performance. Excavator rubber tracks come in 2 options for the majority of machines – Premium and Standard – each using the pattern selected with Bobcat's and our manufacturers' expertise.

RUBBER TRACKS FOR COMPACT EXCAVATORS					
MODEL	TRACK SIZE (WIDTH × PITCH LENGTH × NO. OF LINKS)	PREMIUM		STANDARD	
		PART NUMBER	TREAD PATTERN	PART NUMBER	TREAD PATTERN
316	180 × 72 × 38			7373948	G
418, E08, E10, E10e, E10z	180 × 72 × 39	7255246	E	7373949	F
319, E14	180 × 72 × 41			7373950	F
	200 × 72 × 41	7365328	K		
119, 120, 122	230 × 72 × 43			7373951	G
321, 323, E16, E17, E17z, E19	230 × 48 × 66	7259426	D	7373952	H
E20, E20z	230 × 48 × 72	7259427	D	7373953	H
E25	250 × 52.5 × 76	7298190	A	7419905	J
E26	250 × 52.5 × 80	7320132	A		
225	320 × 100 × 40	6663953	B		
225, 325, 328	300 × 52.5 × 74			7030471	A
	320 × 52.5 × 74	6672773	A		
329, 331, 334, 428, 425, E26, E27, E27Z, E32, E34	300 × 52.5 × 80	7243364	A	7373954	I
E35	300 × 52.5 × 84	7275801	A	7373955	I
335, 430, E42	320 × 55 × 88			7373956	E
337, 341, 435, E45, E50, E55	400 × 73 × 74	7303382	C	7373957	J
E60, E62	400 × 72.5 × 76	7365330	C	7373958	J
442	450 × 71 × 86			7373959	J
E80, E85	450 × 81 × 76	7365331	C	7373960	H



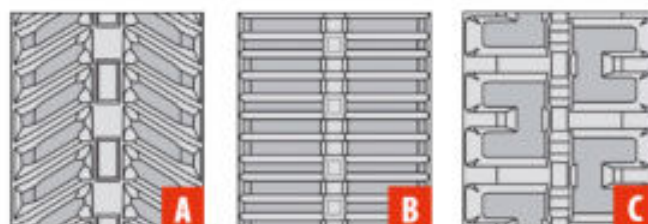
BOBCAT COMPACT TRACK LOADER TRACKS



Maximize your Bobcat Compact Track Loader performance with highly durable and Genuine Bobcat rubber tracks, designed to meet the most demanding expectations, provide a smooth ride and highest durability. Don't sacrifice ride comfort for added traction or longevity.

Bobcat tracks have been tested and proven to not only withstand the most challenging environments, but to also deliver a softer ride by distributing the machine's weight over a larger surface area. Our tracks offer the traction needed to bring out the loader's full capabilities.

RUBBER TRACKS FOR COMPACT TRACK LOADERS							
MODEL	TRACK SIZE (WIDTH × PITCH LENGTH × NO. OF LINKS)	PREMIUM C PATTERN		STANDARD C PATTERN		MULTI BAR LUG	
		PART NUMBER	TREAD PATTERN	PART NUMBER	TREAD PATTERN	PART NUMBER	TREAD PATTERN
MT55	180 × 72 × 39	7009964	C	7030470	A		
	250 × 72 × 39	7009965	C				
T110	250 × 72 × 52	6688373	C	7419906	C		
T140, T450	300 × 84 × 46	6682177	C	7419907	C		
	320 × 84 × 46					6987675	B
T180, T190, T590	320 × 86 × 49	6680161	C	7316758	C		
	320 × 84 × 50					6988318	B
	400 × 86 × 49	6685650	C	7316759	C	7030194	B
T650	320 × 86 × 52	6680149	C	7316760	C		
	320 × 84 × 53					7261331	B
	450 × 86 × 52	6680150	C	7316761	C		
	450 × 84 × 53					6988320	B
T66	400 × 86 × 50	7324236	C	7408148	C	7408151	B
T76	450 × 86 × 53	7301305	C	7396438	C	7359650	B
T250, T300, T320, T770	320 × 86 × 55	6678748	C	7316762	C		
	450 × 86 × 55	6678749	C	7316763	C	7320105	B
T870 Roller Suspension	450 × 86 × 58	7277043	C	7316764	C		
	450 × 84 × 60					6989042	B
T870 Torsion Suspension B47C, B47L, B47H	450 × 60 × 86	7266334	C	7316765	C		



LOADERS TRACKS THREAD PATTERNS

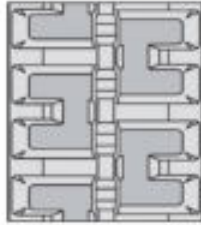
For loaders, we stick to the proven 'C' pattern across the machines' range, offered in both Premium and Standard versions. If increased traction in wet or loose conditions is needed, we offer the 'MBL' track pattern.

The choice between Narrow or Wide 'C' tracks gives you the option to adapt the machine's characteristics according to terrain or application. For increased ground pressure, added traction and more pushing force, choose a narrow track. Wide tracks are a good choice when lower ground pressure and flotation are desired.



PREMIUM C-PATTERN

The best durability and performance the market has to offer in all-season use. One of the most versatile, no compromise, tracks used in serial production. Provides superior traction in most applications.

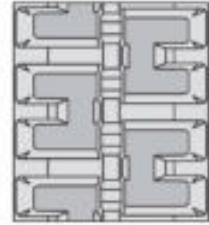


Recommended uses:

- Great for all high hours construction work and heavy-duty applications.
- Excellent in dirt, mud, rock, and demolition.
- Not recommended for snow.

STANDARD C-PATTERN

The track offers durability and traction in all-season use in a more economical package. It is the same pattern as used in production and one of the most versatile on the market, performing well in all different types of applications.



Recommended uses:

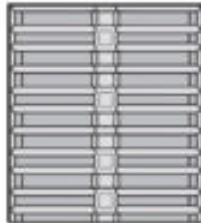
- Great for all general construction work.
- Excellent in dirt and mud.
- Not recommended for snow or extremely rocky conditions.

MULTI-BAR LUG PATTERN

Durable all-season track that provides superior traction in wet conditions and extended wear life on hard flat surfaces.

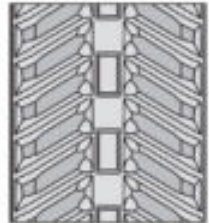
Recommended uses:

- Great for all general construction work.
- Excellent in sand and dirt or snow.
- Not recommended for extremely rocky conditions.



V-SHAPED PATTERN

Deep V-shaped tread pattern (inspired by agricultural tracks) provides outstanding traction in muddy and soft dirt applications, while providing a stable, comfortable ride and excellent clean-out.



CHOOSING THE RIGHT TRACKS FOR COMPACT TRACK LOADERS

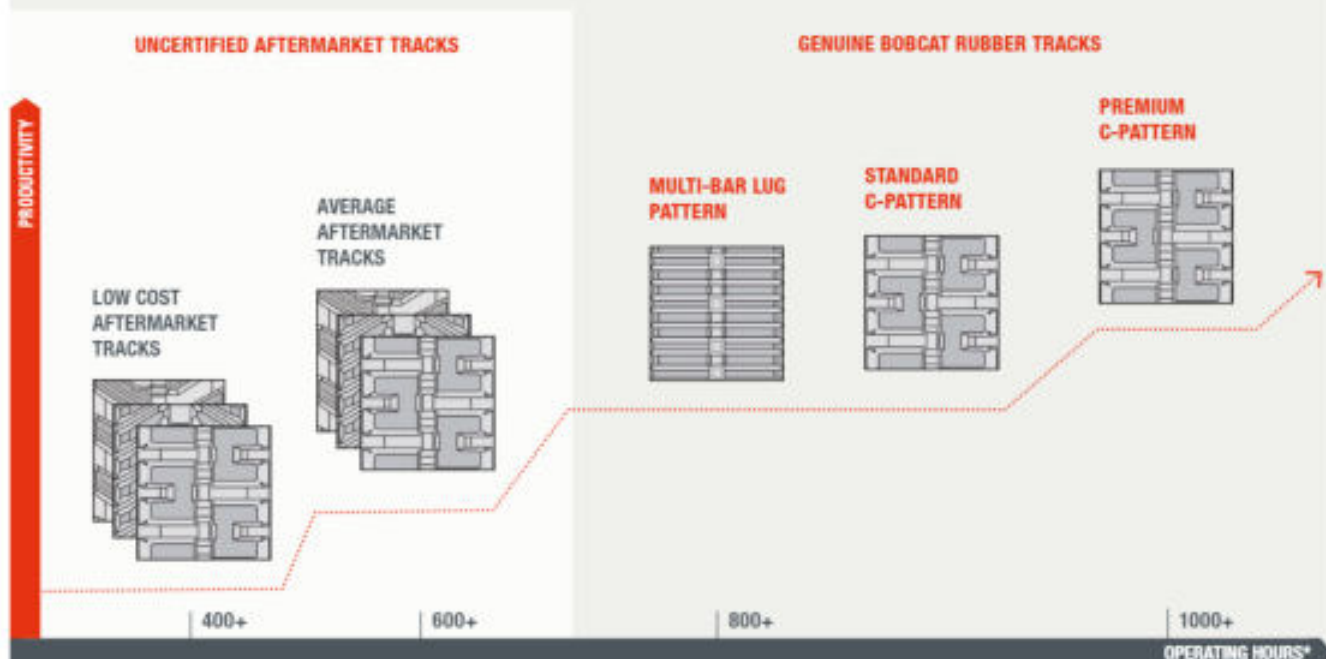
At Bobcat, we always recommend using Bobcat rubber tracks instead of uncertified, unapproved tracks

The manufacturing technology is a sophisticated combination of special kinds of rubber, vulcanized along with steel embeds and loops of steel cords. Designing the right shape, pattern, depth and well-specified rubber materials guarantees long life, low ground pressure, and high traction. Thanks to our expertise in testing, we always collaborate with our Bobcat suppliers to optimize the components for our machines – and the rubber tracks are no exception.



USE GENUINE BOBCAT RUBBER TRACKS TO GET THE MOST OUT OF YOUR INVESTMENT

With genuine Bobcat rubber tracks, you will benefit from lower operational costs and highest productivity. Furthermore, they offer more comfort and longer tread wear than uncertified, unapproved aftermarket tracks. Follow the recommendation below to choose the best track for your application and expected operating hours.



* Hour ratings listed above are based on usage in moderate working conditions

	ROCK	DIRT	SAND	CONCRETE	DEMOLITION	TURF	SNOW	MUD	SLOPED	CLAY
PREMIUM C-PATTERN	●	●	●	●	●	●	○	●	●	●
STANDARD C-PATTERN	●	●	●	●	●	●	○	●	●	●
MULTI-BAR LUG PATTERN	●	●	●	●	○	●	●	●	○	●

BEST ● BETTER ● GOOD ○

RUBBER TRACKS DAMAGE PREVENTION AND MAINTENANCE

Even though Bobcat machines operate in the harshest conditions, it is important to avoid improper applications or usage in combination with poor maintenance and incorrect track tension.

To achieve optimal track tension, we test and validate the correct interaction with undercarriage components. Our specialized engineering and testing teams conduct rigorous and demanding validation processes, both in the laboratory and in the field.

For performance and durability field tests – in real-life conditions with mud, sand and rocks – we use our testing polygon with which we focus on common failure modes and simulate extreme operation of the machine – such as working in rocky conditions, driving over a curb, steep slope retention, and simulating de-tracking.

EXCAVATOR USAGE LIKELY TO CAUSE TRACK DAMAGE WHILE RECOMMENDED TENSION AND SYSTEM CONDITIONS AREN'T MAINTAINED.



SHARP OBJECTS
Risk of damaging lugs and main cable.



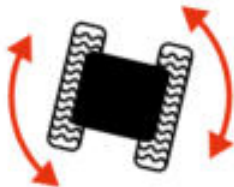
UNEVEN SURFACES
Risk of detacking with lug/core damage.



SLIPPAGE
Load & speed appropriate to avoid rapid tread wear.



HITTING WITH BUCKET
Risk of lug, core and/or main cable damage.



SPOT TURNING
Risk of detacking with possibility of lug and core damage.



OPERATION ON A SLOPE
Risk of detacking or excessive damage to lugs.



TRACK EDGE IN CURBLINE
Extreme side wear and possible damage to iron core.



MACHINE ASTRIDE A TRENCH
Possible lug and/or iron core damage.

- Maintaining recommended track tension as described in the machine's operation manual helps maximize the track life. Regular cleaning and maintenance of the entire track system is essential to ensure a long lifespan.

- Warranty covers defects in material and workmanship but not damage from use or installation because of misapplication, misuse, negligence, alteration, accident, field and road hazard, overload, mismatching of opposite side tracks, use of non-genuine undercarriage components, or poor mechanical condition, maintenance or adjustment.

BOBCAT PREMIUM EXCAVATOR TRACKS WARRANTY CONDITIONS

Selected bobcat premium excavator rubber tracks are covered by warranty for up to 36 months (or 3000 hours) for the highest convenience and peace of mind. The warranty covers disabling defects in materials and workmanship that appear under proper usage conditions.



ELIGIBILITY

- Original owner of new Bobcat Premium Excavator Rubber Track purchased through an authorized Bobcat Aftermarket Parts dealer.
- Factory-fitted Bobcat Rubber Tracks are excluded from this prolonged warranty program, which is an Aftermarket-only program.

COVERAGE

- Bobcat Premium Excavator Rubber Track is warranted, from date of the installation on the machine, against defects in materials and workmanship.
- Bobcat Premium Excavator Rubber Track that becomes unserviceable as a result of a defect in materials or workmanship, as determined by Bobcat, will be replaced, or an allowance will be given towards the purchase of a replacement Bobcat track, at Bobcat's choice.



EXCLUDED FROM COVERAGE

- Track no longer owned by the original purchasing end user.
- Claims outside the listed months of service or hours limit coverage.
- Track manufactured more than 60 months prior to warranty request.
- Damage from use or installation as a result of misapplication or exceeding the specifications of the track original design capabilities.
- Failure resulting from abuse, misuse, negligence, alteration, accident, field, road hazard, or stubble damage, overload, mismatching of opposite side tracks, misapplication, or use of non-OEM undercarriage components, or poor mechanical condition, maintenance or adjustment.
- Cosmetic defects, such as surface cracks, splits and other superficial distress that may impact track appearance but do not render the track unusable or measurably diminish overall life.
- Usage, installation, repair or adjustment which Bobcat judges improper.



24 months / 2000 hours or
36 months / 3000 hours
WARRANTY

OWNERS OBLIGATIONS AND SUPPORTING DOCUMENTATION FOR WARRANTY CLAIMS

- Giving notice of failure within applicable warranty period.
- Providing valid proof of purchase.
- Providing supporting photo documentation:
 - Photos of entire machine including model and series
 - Several clear, close up photos to identify suspected defective areas
 - At least one clear view of entire track including view of suspected defective area
 - Photos of logo, part number, serial number, and country of manufacture
- Submission of claim request within 60 days of the failure.
- Transportation cost to warranty service location. Freight charges if applicable.
- Installation costs and taxes.
- Undercarriage components properly maintained and adjusted.


BOBCAT PREMIUM TRACKS WARRANTY LIMITS

WARRANTY CONDITIONS			
MODEL	PART NUMBER	MONTHS OF SERVICE	HOURS LIMIT
E08, E10	7255246	24	2000
E14	7365328	24	2000
E17, E17Z, E19	7259426	24	2000
E20	7259427	24	2000
E25	7298190	24	2000
E25 (K2)	7320132	24	2000
E26, E32	7243364	24	2000
E35	7275801	24	2000
E45, E50, E55	7303382	24	2000
E60, E62	7365330	36	3000
E80	7365331	36	3000

Hours / Months – whichever comes first. If months of service are not known, manufacturing date will be used.



DOWNLOAD
 RUBBER
 TRACKS
 REFERENCE GUIDE





BATTERIES

When you depend on performance and reliability,
count on Bobcat batteries



BATTERIES

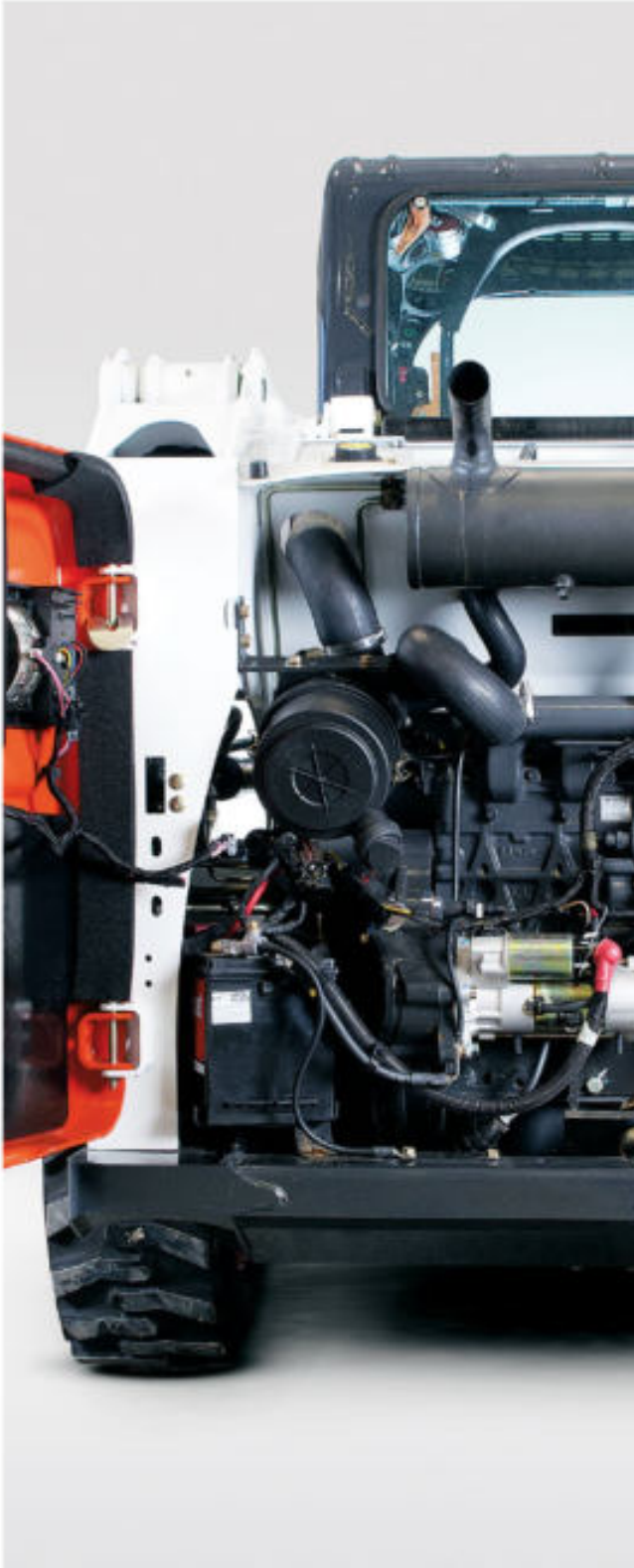
When you depend on performance and reliability, count on Bobcat batteries to deliver superior results in all job conditions.

- ▶ **BOBCAT HEAVY-DUTY BATTERIES – DESIGNED TO WITHSTAND HARD JOLTS, HEAT AND COLD, AND STILL DELIVER THE POWER YOU NEED ON EVEN THE TOUGHEST JOBS.**
- ▶ **ROBUST ENOUGH TO COPE WITH DEMANDING REQUIREMENTS AND VIBRATIONS CAUSED BY CONSTRUCTION EQUIPMENT IN ROUGH TERRAIN.**
- ▶ **MANUFACTURED IN PARTNERSHIP WITH A WORLD-LEADING BATTERY MANUFACTURER FOR HEAVY-DUTY OFF-ROAD APPLICATIONS.**



BOBCAT HEAVY-DUTY BATTERIES ARE DESIGNED WITH TOUGH JOBS IN MIND!

Crank it up with a Bobcat heavy-duty battery! Bobcat equipment needs a battery that can deliver the necessary power while withstanding hard jolts and heat. There's a Bobcat battery specifically designed for your Bobcat equipment.



**UNLIKE LOOK-A-LIKE BATTERIES,
BOBCAT BATTERIES FEATURE**

- Full-size reinforced plates that store full cranking power-even in extreme conditions
- Lead-welded post seal and anchored elements
- Microporous envelope separators for long battery life
- Specifically designed for Bobcat equipment
- One-piece cover with foldable suitcase handle for easy installation



TIPS

STOCK MANAGEMENT

Place new batteries at the back of the rack so that the old stock is used first. Use the freshness label for a quick indication at one glance.

TYPE SPECIFICATION



BATTERY MANUFACTURING DATE

1 LETTER: BIMESTER

- A = Jan / Feb
- B = Mar / Apr
- C = May / Jun
- D = Jul / Aug
- E = Sep / Oct
- F = Nov / Dec

2 NUMBER: YEAR

Last digit of the year (e.g, 0 for 2020, 1 for 2021)



EXAMPLE: 2020 MAY / JUNE

3 PRINTING REFERENCE

	JANUARY FEBRUARY	MARCH APRIL	MAY JUNE	JULY AUGUST	SEPTEMBER OCTOBER	NOVEMBER DECEMBER
2020	0A	0B	0C	0D	0E	0F
2021	1A	1B	1C	1D	1E	1F
2022	2A	2B	2C	2D	2E	2F

FRESHNESS LABEL

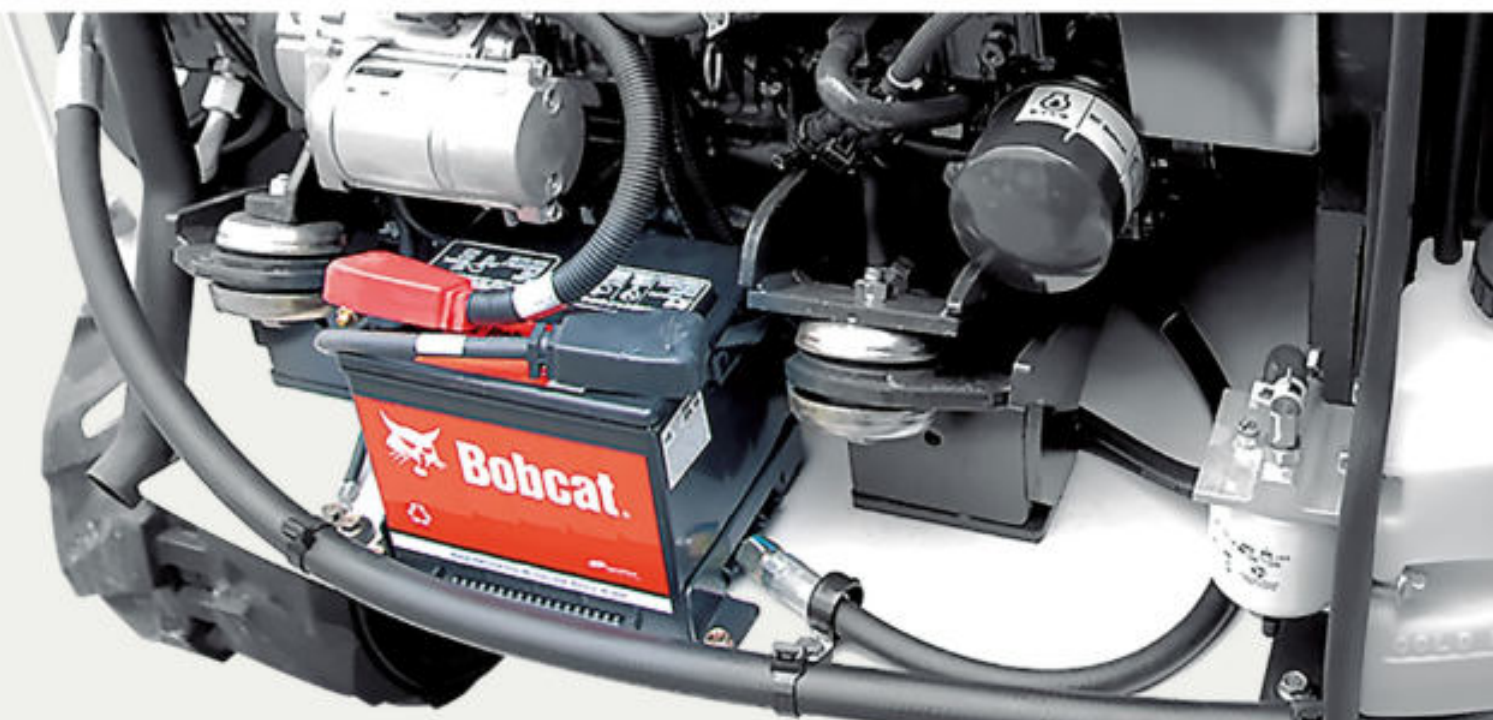
A quick and visible indicator of the battery manufacturing date, the Freshness Label is great for efficient inventory handling and ensures that end-customers always receive batteries with good state-of-charge.

Because they self-discharge over time when stocked, batteries are considered to be 'fresh goods'. Therefore, FIFO (first in, first out) stock management is essential to make sure the batteries are always up-to-date and not aging on the rack.



BATTERIES TERMINALS LAYOUT TYPES

A	B	C	D
			



TYPE SPECIFICATION

PART NUMBER	BATTERY BOX SIZE	VERSION	NOMINAL VOLTAGE (V)	C ₂₀ (Ah)	RC (min)	CCA (A)	DIMENSIONS (MM)			TERMINAL LAYOUT	BATTERY WEIGHT (kg)	MODEL
							L	W	H			
EXCAVATORS												
6669600	G26	Wet	12	42	75	530	208	173	197	B	13,4	E32, E35, E45, E50, E55
7304126	L01	Wet	12	55		480	207	175	190	B	14,2	E17Z, E26, E27, E27Z, E32, E35, E45, E50, E55
7312552		Dry	12			650	242	175	190	A	15	E26, E32, E32i, E35, E35i, E42, E45, E50, E55
6673865	G24	Wet	12	65	115	600	260	173	225	B	17,5	E25, E26, E32, E35, E45, E50, E55
6987600	G31	Wet	12	110	190	950	330	173	240	D	26,1	E60, E80
7335400		Wet	12			850					17,5	E57W
LOADERS												
6669600	G26	Wet	12	42	75	530	208	173	197	B	13,4	MT50, MT52, MT55
7306047	L02	Wet	12	60		640	242	175	190	B	17,6	S100, S450, S510, S530, S550, S570, S590, T110, T450, T590
7312552		Dry	12			600	242	175	190	A	15	S70, S100, S130, S150, S160, S175, S185, S205, S450, S510, S530, S550, S570, S590, S595, S630, S650, S750, A770, S770, S850, T110, T140, T180, T190, T450, T550, T590, T630, T650
6673865	G24	Wet	12	65	115	600	260	173	225	B	17,5	S70, S100, S450, S510, S530, S550, S570, S590, S630, S650, T590, T595, T650
6987600	G31	Wet	12	110	190	950	330	173	240	D	26,1	S66/T66, S76/T76
TELEHANDLERS												
7223985	D02	Wet	12	110		750	349	175	235	A	27,5	Perkins, Deutz engines
7159404	A	Wet	12	140		750	513	189	223	C	38,4	Perkins, Deutz engines
7160984 = 7288629	D02	Wet	12	110		900	349	175	235	A	28,4	Doosan / Bobcat engines
7014631		Wet	12				483	217	231		47,16	Rotary Telescopic Handlers
BACKHOE LOADERS												
7289600		Wet	12	120							19,3	B700, B730, B750, B780
UNIVERSAL												
103496801CC	G78	Wet	12	75	120	770	260	180	186	B – side terminals	19,4	

BATTERY LIFE MANAGEMENT

Bobcat batteries have many unique design features for use in Bobcat machinery used in tough environments. Batteries are an important part of Bobcat equipment and typically provide many years of trouble-free service with proper maintenance. This document covers important information for maintaining batteries in machine inventory, new stock and preparing batteries for service. These tips will improve performance, extend battery service life and identify warranty coverage requirements.

MAINTENANCE-FREE BATTERY

The term "Maintenance-free" refers to a battery that normally requires no service watering during its lifetime of use. Proper testing, charging, and storage are important to maximize service life on all batteries.

Refer to the Operation & Maintenance Manual or Service Manual as necessary for details of procedures outlined below.

BATTERY CHARGE LEVELS ON NEW MACHINES

A key factor for long battery life is to maintain the charge level. The machine charging system is designed to maintain battery charge, not to fully recharge a severely discharged battery. On average, a machine needs to run for 15–20 minutes to recover from the battery drain at start up.

The most critical time to perform battery maintenance is when a machine is newly delivered to the dealership. Bobcat Company strives to have the batteries in production machines fully charged at shipment. Occasionally, a machine may arrive at a dealer not fully charged because of the many start-ups during machine shipment.

BATTERY VOLTAGE

12-volt battery has six cells, each with 2.1 volts at full charge. A battery is considered fully charged at 12.6 volts or higher. When the battery's voltage drops, even a small amount, it makes a big difference in its performance. Though not fully charged, a battery is considered charged at 12.4 volts or higher. It is considered discharged at 12.39 volts or less.

The battery voltage is required to be checked upon equipment arrival at a dealership per the procedures described further in this document. Any battery found below 12.4 volts must be charged using a low charge rate to 100% charge.

Local climates may expose batteries in machine inventory to extreme hot or cold temperatures. Because of this, the battery state of charge in machine inventory should be checked every 30–60 days. This check is especially important in winter months to avoid battery freezing due to low charge.

BATTERY TESTING

The first step in maintenance on an installed battery is to visually inspect for corroded terminals, broken posts, cracked or damaged cases, low electrolyte levels, missing or damaged vent caps or loose connections. Clean, fill with distilled or de-ionized water, or repair as required.

The simplest and most common check to determine a battery's state of charge is to use a digital multimeter, or voltmeter. A temperature compensated hydrometer test can also be used and will detect shorted cells.

A battery found below 12.4 volts must be charged to 100% charge per the battery charger's recommendation. An automatic charge is preferred to avoid a possible overcharge condition. To get an accurate reading after charging, allow at least a 60 minutes after the battery has been charged, or loaded, before rechecking the open circuit voltage. If the reading is less than 12.4 volts after the battery has been charged for several hours, test the battery using a conductance or load tester.

CONDUCTANCE TEST

Conductance testers or adjustable load testers are the most reliable tools for consistently determining if a battery is serviceable. A conductance tester determines, prior to charging, the battery's ability to transmit current through its internal structure. This test can detect cell defects, shorts, and normal aging. Results will show measured battery rating (CCA) compared to the specified rating and indicate if battery is good, bad, or requires charging.

LOAD TEST

A load test accurately determines the battery's ability to deliver power needed for normal engine starting. A load tester applies a load (adjusted to 1/2 of the battery's rated CCA) to a fully charged battery for 10–15 seconds then measures the resulting voltage. When performing a 1/2 CCA load test for 15 seconds at room temperature 21°C (70°F), results of 9.6 volts or higher typically indicates the battery is serviceable.

NOTE: If a battery passes a conductance or load test but loses its charge rapidly when connected, verify everything on the machine is turned OFF and test for any unusual drain on the battery.

BATTERY CHARGING

A battery charger rated at 15 volts or less is recommended. A low, sufficient charge rate and adequate time is required to bring a battery to 100% charge, or 12.6 volts, rested open circuit voltage. Batteries should be charged at room temperature to avoid any under charge or over charge conditions.

The charging process reverses the chemical reaction of discharging, converting the lead sulfate and water back to the original materials. If the battery sits at a partially discharged state for an extended period, permanent sulfation occurs, which is irreversible.

After charging, again check the electrolyte level in all cells to ensure the proper level.

TYPES OF BATTERY CHARGERS

CONSTANT CURRENT (MANUAL) – NOT RECOMMENDED

Using this type of charger makes the battery vulnerable to overcharging which causes gassing ('boiling').

CONSTANT CURRENT (AUTOMATIC) – LOW COST AND GOOD FOR MOST APPLICATIONS

Constant current charger has voltage sensing logic that turns charging on and off as needed. Typical low current examples that use this technology are referred to as 'Battery Maintainers' or 'Trickle Chargers' and have reverse polarity protection as a typical feature.

CONSTANT VOLTAGE – EXCELLENT OPERATIONAL FEATURES

The charging voltage and internal battery resistance remain constant. As a result, the charging current decreases over time as the charge level increases. Charging is complete when the current doesn't change over a 1-hour period. This type of charger is most similar to a voltage regulated charging system (alternator) in a machine and prevents gassing.

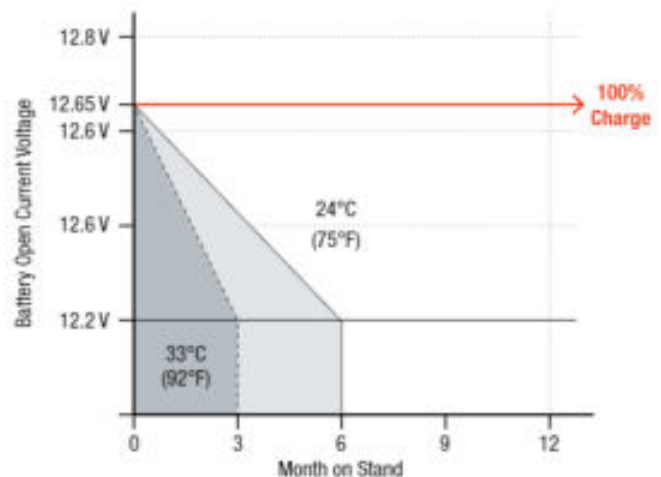
Other charger types may combine these types of technology and some may have battery and electrical system testing capability (diagnostic chargers).

BATTERY SELF-DISCHARGE OVER TIME

All batteries will slowly lose charge when not in service. This is known as self-discharge and will result in reduced performance and service life. The rate of self-discharge increases at higher temperatures. When the batteries become discharged, a boosting charge should be administered regardless if the batteries are to remain in stock or are being prepared for sale. This boost charge will normally be required every

4–6 months of storage to keep the battery above 75% charge.

Many products have features that require battery power even when the machine is not being used. This also contributes to battery discharge.



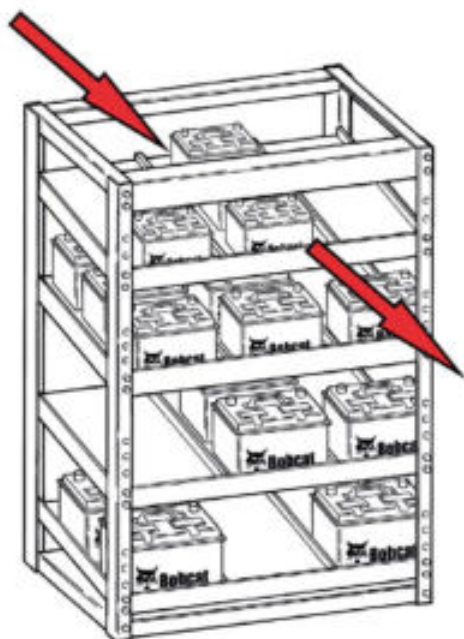
BATTERY STOCK MAINTENANCE

Store batteries under roof, off the floor or ground and in a cool, dry, well-ventilated area that is separated from incompatible materials and from activities that may create flames, spark, or heat. Avoid storing batteries in high 38°C (+100°F) ambient conditions. High temperature increases the battery chemical reaction which will shorten shelf life and accelerate grid corrosion.

Check the state of charge on batteries stored over 3 months and keep batteries above 75% charge to avoid premature sulfation that causes loss of capacity and early battery failure.

Battery stock must be rotated on a strict, first-in, first-out basis. In order to accomplish this, a proper inventory battery maintenance program should be established. Date codes are stamped on each battery to aid in rotating the batteries for retail.

Battery racks provide the best method for storing and insuring the proper rotation of batteries. Racks should be marked on the front and rear so the same type of battery will go in the same rack every time. If racks are loaded properly, the oldest battery of a particular type will always appear in the front. Batteries used for display purposes and battery stock must not be neglected. They should be boosted whenever the battery open circuit voltage drops below 12.4 volts.



BATTERY FREEZING

The chart below shows the temperature that electrolyte in batteries, at various states of charge, begins to freeze or ice crystals begin to form. The electrolyte does not freeze solid until a lower temperature is reached. Solid freezing of electrolyte in a discharged battery will damage the plates and crack the container. Batteries in which the electrolyte has frozen must be replaced and properly disposed of.

VOLTAGE READING AT		BATTERY CHARGE	BATTERY FREEZE POINT
27°C (80°F)	-18°C (0°F)		
12.65	12.45	100%	-59°C (-74°F)
12.45	12.25	75%	-48°C (-54°F)
12.24	12.04	50%	-37°C (-35°F)
12.06	11.86	25%	-27°C (-17°F)

If a battery becomes severely discharged, the electrolyte can freeze in extreme conditions below -18°C (0°F). Since temperature affects voltage readings, batteries should be kept at least 75% charged to prevent the electrolyte from freezing.

PREPARING A BATTERY FOR RETAIL

Always charge and load test a suspect battery to determine if replacement is necessary. If a replacement battery is removed from storage to be installed into service, first check the state of charge. Then check the electrolyte level in all battery cells. If required, add additional distilled water or de-ionized water to bring all levels to the bottom of the vent wells. Maintenance free batteries are clearly labeled. Do not open the vent caps on maintenance free batteries.

Keep the battery vents closed while charging the battery. Charging produces ignitable gases that must be routed through the battery vent cap or plug. Use a good charger.

BATTERY MAINTENANCE AFTER RETAIL

A battery is a perishable item that requires periodic maintenance. With a reasonable amount of care, battery life can be significantly extended. Neglect and abuse will result in shorter battery life. A routine check of the battery can be made during periodic fueling stops or service intervals such as engine oil changes. A visual inspection should include defective cables, loose connections, corrosion, cracked cases, loose hold-downs and loose terminal posts. Keeping the battery and connections secure and clean will improve the service received from the battery. If the battery electrolyte requires top-off while in service, add distilled water or de-ionized water. Do not add acid.

BATTERY SERVICE DURING MACHINE STORAGE

If storing a machine for an extended period of time, remove the battery. Verify the correct electrolyte level and fully charge the battery. Store the battery in a cool dry place above freezing and boost charge periodically.

Operation & Maintenance Manuals include information on battery maintenance and proper long-term storage. Review this with your customers to promote battery life and customer satisfaction.

DOWNLOAD
BATTERIES
REFERENCE
GUIDE



FILTERS, FILTER & MAINTENANCE KITS

Protect your investment with Bobcat quality filters that are specifically designed to provide the most sophisticated protection



FILTER & MAINTENANCE KITS

When you depend on performance and reliability, count on Bobcat filter kits to deliver superior results in all job conditions.

- ▶ GREAT WAY TO SAVE TIME AND COSTS WHEN IT'S TIME FOR MACHINE MAINTENANCE – FILTER KITS OFFER PRICE ADVANTAGE COMPARED TO ORDERING FILTERS INDIVIDUALLY.
- ▶ SIMPLER AND FASTER ORDERING PROCESS – ALL YOU NEED IN 1 BOX.
- ▶ TESTED AND PROVEN SUPERIOR BOBCAT QUALITY FILTERS PROTECT YOUR INVESTMENT AND REDUCE COSTLY DOWNTIME.



▶ WATCH FILTERS VIDEO

BOBCAT GENUINE FILTERS VERSUS LOCAL SOURCE FILTERS

HYDRAULIC OIL FILTER



BOBCAT FILTER

Cellulose media 10 micron $\odot > 2$
Media area: 0.2046 m²

Protects your engine against particles up to 3 times smaller

COMPETITIVE FILTERS*

Cellulose media 30 micron $\odot > 2$
Media area: 0.183 m²

FUEL FILTER



Cellulose media 3 micron $\odot > 2$
Media area: 0.113 m²

Higher efficiency with longer life.

Efficient and easy to use draining system.

Cellulose media 10 micron $\odot > 2$
Media area: 0.113 m²

AIR FILTERS (OUTER AND INNER)



Bobcat filter has 1/3 more life.

Up to 50% more efficiency at 20 and 50 mbar on inner element.

Bobcat higher efficiency filters can reduce up to 30 times dust contamination!

Cellulose media 10 micron $\odot > 2$
Media area: 0.113 m²

ENGINE OIL FILTER



Beta 2 nominal: 4 μ Beta 75 absolute: about half from local sources.
Media: Synthetic

Synthetic media has a greater efficiency with a lower pressure drop and thus longer life

Beta 2 nominal: 10 μ

Beta 75 absolute: about twice Bobcat specs.
Media: Cellulose

TIP

LEARN MORE ABOUT FILTERS

Enroll into our e-learning course dedicated to filters explaining common filtration myths and suggesting how to address them. Visit our [E-learning center](#).

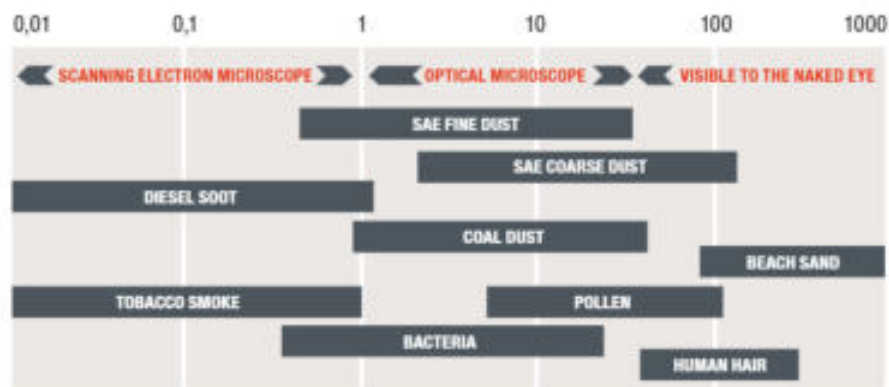
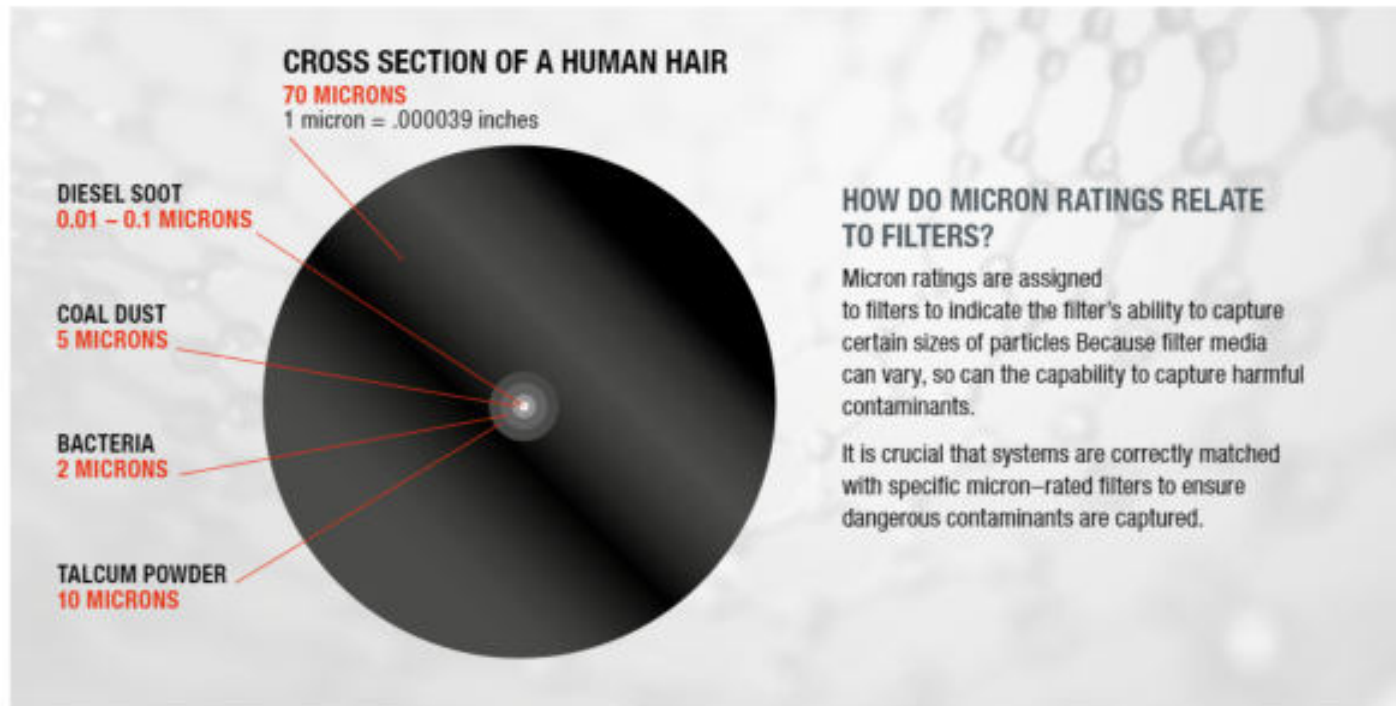


FILTERING OUT THE DIFFERENCE

	BOBCAT FILTER	COMPETITIVE FILTERS*
CANISTER ASSEMBLY	 <p>Thicker metal housing for superior durability and reliability.</p>	 <p>Thinner metal housing is more susceptible to dents and failing under pressure.</p>
INTERNAL SPRING	 <p>The spring insures an optimum sealing between cartridge and baffleplate and reduces the negative impact of vibrations.</p>	 <p>Internal spring can be weaker, and more vulnerable to breakage. A weaker spring does not hold the cartridge as tightly in place.</p>
FILTER MEDIA	 <p>Filter media is uniformly pleated and spaced for maximum filtration surface area. Thicker media ensures the right balance of filter efficiency, capacity, and pressure drop to meet Bobcat Engineering standards. Filter media is uniformly cured to improve strength.</p>	 <p>Inconsistent and fewer media pleats reduce the filtration product life. Competitors may use a thinner media which limits holding capacity. Filters with lower micron ratings will not capture contaminants as effectively and may damage equipment.</p>
INTERNAL BYPASSING	 <p>The bypass valve guarantees the oil supply to your engine in all circumstances. You better get dirty oil in your engine than no oil! The bypass needs to be well designed so it only opens when necessary. We don't want oil to bypass the filter in normal conditions.</p>	 <p>Bypass valve may not fasten tightly and can leak oil into the system without passing through the filter media. Some brands may lack pressure bypass valves.</p>
SEAL	 <p>Wide one-piece seal provides maximum coverage area to protect against leaks.</p>	 <p>Seals may pull double duty as a bypass, or be made of more than one-piece creating the opportunity for leaks.</p>
MEDIA CONSTRUCTION	 <p>Filter media is deeply embedded in plastic with metal end caps that wrap around to hold and seal media securely. Louvered inner liner allows maximum flow and minimum restriction.</p>	 <p>Some competitive brands use glue to adhere media to paper end caps without a ledge, making the filter susceptible to moisture and leakage. Limited inner liner flow area can cause restriction.</p>
INLETS	 <p>Greater number of large inlet holes enables better flow through the Bobcat filter. Spin-on Bobcat filters have deep thread engagements for a secure fit.</p>	 <p>Smaller, and fewer, inlet holes may restrict flow causing pressure fluctuations. Less thread engagement may cause the filter to be easily stripped off, or allow leaks to occur.</p>

* Note: The outer canisters of competitive filters have been digitally altered to remove brand information. Internal construction may vary by manufacturer and type of filter. Illustrations not to scale. Bobcat reserves the right to make changes to product specifications and design without notice.

MICRON PARTICLE SIZE COMPARISON



TIPS

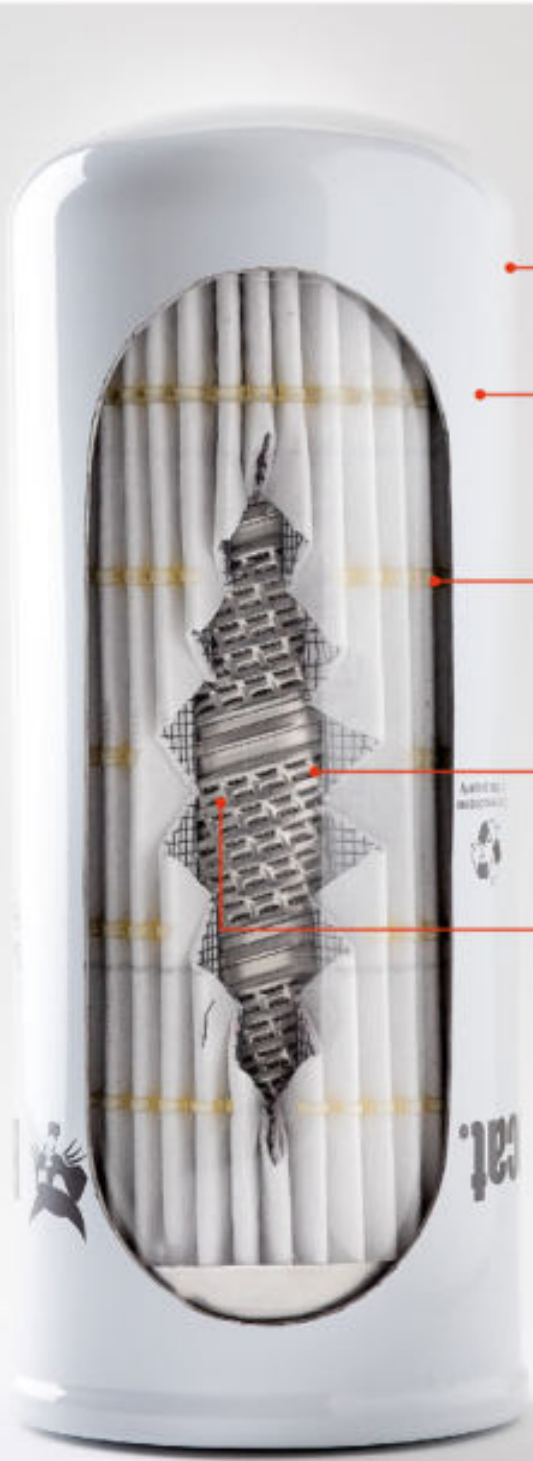
TIPS FOR HANDLING AND STORING BOBCAT FILTERS

Whether you are storing filters in your shop or warehouse, it's always important to practice good storage and handling techniques. Here are a few tips to keep your filters in good condition:

- Make sure the filter is clean, unused and free of damage before selling or installing.
- Never store a filter without it being in a box or completely sealed.
- To prevent damage to filters, don't throw in the back of a truck, or in any other area where damage could occur.
- Be sure to keep filters in original packaging if storing on metal shelves. Over time, this will help to prevent rusting.
- Make sure labels with product information and dates are visible to all personnel pulling from shelves.

SEE THE DIFFERENCE!

Memorize these 6 features & benefits to show customers the importance of a quality filter.



Spin-on design

Provides easy servicing and reduces risk of contamination to the hydraulic system during filter service.

Heavy-duty metal housing

Provides superior durability and protection.

Synthetic filter media

High performance media protects your machine from contaminants and extends service life.

Pleated media

Pleats maximize filter surface area for more contaminant holding capacity and longer filter life.

Spiral center tube

Allows more flow area with higher collapse strength.

Hot melt spacing and wire backing

Maintains pleat separation and allows optimum filter media use, even during cold start-up and flow fluctuations.



FILTER & MAINTENANCE KITS



- Filter & Maintenance Kits are a great way to save time and costs when it's time for machine maintenance.
- Simpler and faster selection and ordering process – all you need in 1 box.
- Are you leaving the workshop for a regular machine maintenance in the field? Take corresponding Bobcat maintenance kits with you and have all the regular parts needed at hand.
- Filter kits contain all filters used on the machine. Maintenance kits contain selected parts needed for 250 hr, 500 hr and 1000 hr service intervals.

FOR LOADERS



MODEL	MACHINE S/N START	COMPONENT DESCRIPTION	COMPONENT PART NUMBER	FILTER KIT	MAINTENANCE KIT FOR LOADERS		
					250 HR	500 HR	1000 HR
MT55	B38U-11001	Air Filter Engine Inner	6687263	1			1
		Air Filter Engine Outer	6687262	1			1
		Engine Oil filter	6671057	1	1	1	1
		Fuel Filter with Watter Sperator	6667352	1	1	1	1
		Hydraulic Filter Main	6677652	1		1	1
		Belt – Alternator	6686683				1
		Belt – Drive	6684749				1
		Radiator Cap	6646678				1
KIT PART NUMBER				7416302	7406303	7416304	7416305
S70	B38V-11001 B38W-11001	Air Filter Engine Inner	6672468	1			1
		Air Filter Engine Outer	6672467	1			1
		Engine Oil filter	6657635	1	1	1	1
		Fuel Filter with Watter Sperator	6667352	1	1	1	1
		Hydraulic Filter Main	6677652	1		1	1
		Belt – Alternator	6571857				1
		Belt – Drive	6690471				1
		Hydraulic Reservoir Breather Cap	7025626			1	1
KIT PART NUMBER				6901513A	7416153	7416306	7416307
S100	A8ET-11001 B4KH-11001	Air Filter Engine Inner	7020361	1			1
		Air Filter Engine Outer	6690907	1			1
		Engine Oil filter	6657635	1	1	1	1
		Fuel Filter with Watter Sperator	6667352	1	1	1	1
		Fuel Prefilter	6683101	1			1
		Hydraulic Filter Main	6661248	1		1	1
		Hydraulic Case Drain filter	6661022	1			1
		Hydraulic Charge Filter	6681012	1		1	1
		Belt – Alternator	6690143				1
		Belt – Drive	7248735				1
		Hydraulic Reservoir Breather Cap	6727475			1	1
		KIT PART NUMBER				7416308	7416153

MODEL	MACHINE S/N START	COMPONENT DESCRIPTION	COMPONENT PART NUMBER	FILTER KIT	MAINTENANCE KIT FOR LOADERS		
					250 HR	500 HR	1000 HR
S450	AV9V-11001 B1E6-11001	Air Filter Engine Inner	6666376	1			1
		Air Filter Engine Outer	6666375	1			1
		Air Filter Cabin	7176099				2
		Engine Oil filter	6675517	1	1	1	1
		Fuel Filter with Watter Seperator	6667352	1	1	1	1
		Fuel Prefilter	6683101	1	1	1	1
		Hydraulic Filter Main	7414581	1			1
		Hydraulic Charge Filter	7319444	1		1	1
		Belt – A/C	7237345				1
		Belt – Alternator	7100104				1
		Belt – Drive	7349400				1
		Hydraulic Oil Filter Canyster Cover	7349796				1
		Hydraulic Reservoir Breather Cap	6727475			1	1
		KIT PART NUMBER			6987864	7416311	7416312
S450 T450	B4J7-11001 B4J6-11001	Air Filter Engine Inner	7221934	1			1
		Air Filter Engine Outer	7286322	1			1
		Air Filter Cabin	7176099				2
		Engine oil filter	7343102	1		1	1
		Fuel Filter	7336334	1		1	1
		Fuel Prefilter	7348032	1			1
		Hydraulic Filter Main	7414581	1			1
		Hydraulic Charge Filter	7319444			1	1
		Belt – A/C	7237345				1
		Belt – Alternator	7339263				1
		Belt – Drive	7349400				1
		Hydraulic Oil Filter Canyster Cover	7349796				1
		Hydraulic Reservoir Breather Cap	6727475			1	1
		KIT PART NUMBER			7416314	7416315	7416316
T450	B1EM-11001	Air Filter Engine Inner	7221934	1			1
		Air Filter Engine Outer	7286322	1			1
		Air Filter Cabin	7176099				2
		Engine Oil filter	7012303	1		1	1
		Fuel Filter	7023589	1		1	1
		Hydraulic Filter Main	7414581	1			1
		Hydraulic Charge Filter	7319444			1	1
		Belt – A/C	7237345				1
		Belt – Alternator	7177784				1
		Belt – Drive	7349400				1
		Hydraulic Oil Filter Canyster Cover	7349796				1
		Hydraulic Reservoir Breather Cap	6727475			1	1
		KIT PART NUMBER			7416317	7416329	7416319

MODEL	MACHINE S/N START	COMPONENT DESCRIPTION	COMPONENT PART NUMBER	FILTER KIT	MAINTENANCE KIT FOR LOADERS		
					250 HR	500 HR	1000 HR
S510	AZN4-11001 AZN5-11001	Air Filter Engine Inner	6666334	1			1
		Air Filter Engine Outer	6666333	1			1
		Air Filter Cabin	7176099				2
		Engine Oil filter	6675517	1	1	1	1
		Fuel Filter with Watter Sperator	6667352	1	1	1	1
S530	AZN6-11001 AZN7-11001	Hydraulic Filter Main	7414581	1			1
		Hydraulic Charge Filter	7319444			1	1
		Belt – Alternator	7100104				1
		Belt – Drive	7146391				1
		Hydraulic Oil Filter Canyster Cover	7349796				1
		Hydraulic Reservoir Breather Cap	6727475			1	1
KIT PART NUMBER				7416320	7416321	7416322	7416323
S510	B4JB-11001	Air Filter Engine Inner	7221934	1			1
		Air Filter Engine Outer	7286322	1			1
		Air Filter Cabin	7176099				2
		Engine oil filter	7343102	1		1	1
		Fuel Filter	7336334	1		1	1
S530	B4KA-11001	Fuel Prefilter	7348032	1			1
S550	B4ZD-11001	Hydraulic Filter Main	7414581	1			1
		Hydraulic Charge Filter	7319444			1	1
S590	B4ZE-11001	Belt – A/C	7260234				1
T590	B4KV-11001	Belt – Alternator	7339263				1
		Belt – Drive	7257359				1
		Hydraulic Oil Filter Canyster Cover	7349796				1
		Hydraulic Reservoir Breather Cap	6727475			1	1
		KIT PART NUMBER				7416314	7416315
S550	AZN8-11001	Air Filter Engine Inner	6666376	1			1
		Air Filter Engine Outer	6666375	1			1
		Air Filter Cabin	7176099				2
		Engine Oil filter	6675517	1	1	1	1
		Fuel Filter with Watter Sperator	6667352	1	1	1	1
S570	AZNB-11001	Hydraulic Filter Main	7414581	1			1
S590	AZND-11001	Hydraulic Charge Filter	7319444			1	1
		Belt – A/C	6625298				1
T590	B3ZA-11001	Belt – Alternator	7143498				1
		Belt – Drive	7146391				1
		Hydraulic Oil Filter Canyster Cover	7349796				1
		Hydraulic Reservoir Breather Cap	6727475			1	1
		KIT PART NUMBER				7416326	7416321

MODEL	MACHINE S/N START	COMPONENT DESCRIPTION	COMPONENT PART NUMBER	FILTER KIT	MAINTENANCE KIT FOR LOADERS		
					250 HR	500 HR	1000 HR
S550	B3GY-11001	Air Filter Engine Inner	7221934	1			1
		Air Filter Engine Outer	7286322	1			1
		Air Filter Cabin	7176099				2
		Engine Oil filter	7012303	1	1		1
S570	B3GZ-11001	Fuel Filter	7023589	1	1	1	
S590	B3H1-11001	Hydraulic Filter Main	7414581	1			1
		Hydraulic Charge Filter	7319444		1		1
T590	B3Z7-11001	Belt – A/C	7178328				1
		Belt – Alternator	7177784				1
		Belt – Drive	7257359				1
		Hydraulic Oil Filter Canyster Cover	7349796				1
		Hydraulic Reservoir Breather Cap	6727475		1		1
KIT PART NUMBER				7416317	7416329	7416330	



MODEL	MACHINE S/N START	COMPONENT DESCRIPTION	COMPONENT PART NUMBER	FILTER KIT	MAINTENANCE KIT FOR LOADERS							
					250 HR	500 HR		1000 HR				
S630	A3NT-11001 A3NU-11001 B4SY-11001	Air Filter Engine Inner	7008044	1				1	1	1	1	
		Air Filter Engine Outer	7008043	1				1	1	1	1	
		Air Filter Cabin	7176099					2	2	2	2	
		Engine Oil filter	6678233	1	1	1	1	1	1	1	1	
		Fuel Filter with Watter Seperator	6667352	1	1	1	1	1	1	1	1	
		Hydraulic Filter Main	7414582	1							1	
S650	A3NV-11001 A3NW-11001 B4SZ-11001	Hydraulic Charge Filter – spin-on	7319444			1			1	1		
		Hydraulic Charge Filter – canister	6692337		1		1	1				
		Hydraulic Filter Element	7012314					1	1			
T650	A3PO-11001 A3P1-11001	Hydraulic Filter Tank	7002734					1				
		Belt – Alternator	7142000					1	1	1	1	
		Belt – Drive	7188792					1	1	1	1	
		Hydraulic Oil Filter Canyster Cover	7349796					1	1	1	1	
		Hydraulic Reservoir Breather Cap	6727475			1	1	1	1	1	1	
		Filter O-ring – top	7015488					1	1			
		Filter O-ring – bottom	7015489					1	1			
KIT PART NUMBER					7416332	7416333	7416334	7416335	7416336	7416337	7416338	7416339
KIT NOTE							Canister Filter S/N A3NT11001 – A3NT11547 S/N A3NV11001 – A3NV1444 S/N A3P011001 – A3P011190	Spin-On Filter S/N A3NT17925 – A3NT18123 S/N A3NV25150 – A3NV25272 S/N A3P018332 – A3P019133	Canister Filter S/N A3NT11001 – A3NT11547 S/N A3NV11001 – A3NV1444	Canister Filter S/N A3NT11548 – A3NT17924 S/N A3NV1445 – A3NV25149	Spin-On Filter S/N A3NT17925 – A3NT18123 S/N A3NV25150 – A3NV25272 S/N A3P018332 – A3P019133	Spin-On Filter S/N A3NT18124 & Above S/N A3NV25273 & Above S/N A3P019134 & Above
							Canister Filter S/N A3NT11548 – A3NT17924 S/N A3NV1445 – A3NV25149 S/N A3P011191 – A3P018331	Spin-On Filter S/N A3NT18124 & Above S/N A3NV25273 & Above S/N A3P019134 & Above	Canister Filter S/N A3P011001 – A3P011190 S/N A3P011191 – A3P018331			Spin-On Filter S/N B4SY11001 & Above S/N B4SZ11001 & Above

MODEL	MACHINE S/N START	COMPONENT DESCRIPTION	COMPONENT PART NUMBER	FILTER KIT	MAINTENANCE KIT FOR LOADERS						
					250 HR	500 HR	1000 HR				
S630	B2L5-11001	Air Filter Engine Inner	7221934	1			1				
		Air Filter Engine Outer	7286322	1			1				
		Air Filter Cabin	7176099				2				
		Engine Oil filter	7012303	1	1	1					
		Fuel Filter	7023589	1	1	1					
		Hydraulic Filter Main	7414582	1			1				
		Hydraulic Charge Filter	7319444	1	1	1					
		S650	B2LA-11001	Hydraulic Filter Element	7012314			1			
		T650	B2KZ-11001	Belt - A/C	7178328			1			
				Belt - Alternator	7177784			1			
Belt - Drive	7177671					1					
Hydraulic Oil Filter Canister Cover	7349796				1	1					
Hydraulic Reservoir Breather Cap	6727475					1					
KIT PART NUMBER				7416340	7416329	7416342					
S770	A3P4-11001 A3P5-11001	Air Filter Engine Inner	7010031	1			1	1	1		
		Air Filter Engine Outer	7286652	1			1	1	1		
		Air Filter Cabin	7176099				2	2	2		
		Engine Oil filter	6678233	1	1	1	1	1	1		
		Fuel Filter with Watter Seperator	6667352	1	1	1	1	1	1		
		Hydraulic Filter Main	7414582						1		
		Hydraulic Charge Filter - spin-on	7319444			1		1	1		
		T770	A3P8-11001 A3P9-11001	Hydraulic Charge Filter - canister	6692337	1	1	1			
		S850	ACS7-11001 ACSL-11001	Hydraulic Filter Element	7012314	1			1	1	
				Belt - A/C	7174707				1	1	1
				Belt - Alternator	7174706				1	1	1
				Belt - Drive	7197894				1	1	1
				Hydraulic Oil Filter Canyster Cover	7349796				1	1	1
				Hydraulic Reservoir Breather Cap	6727475		1	1	1	1	1
Hydraulic Oil Canister Cover	7024038								1		
KIT PART NUMBER				6987750	7416333	7416334	7416335	7416345	7416346	7416347	
KIT NOTE						Canister Filter	Spin-On Filter	Canister Filter	Spin-On Filter S/N A3P413516 - A3P413656 S/N A3P814128 - A3P814204 S/N ACS712905 - ACS713190	Spin-On Filter S/N A3P413657 & Above S/N A3P814205 & Above S/N ACS713191 & Above	

MODEL	MACHINE S/N START	COMPONENT DESCRIPTION	COMPONENT PART NUMBER	FILTER KIT		MAINTENANCE KIT FOR LOADERS					
						250 HR		500 HR		1000 HR	
S770	B38V-11001	Air Filter Engine Inner	7010031	1	1				1	1	
		Air Filter Engine Outer	7286652	1	1				1	1	
		Air Filter Cabin	7176099						2	2	
		Engine Oil filter	7012303	1	1		1	1	1	1	
		Fuel Filter	7023589	1	1		1	1	1	1	
S850	B38Y-11001	Fuel Filter	7336334								
T770	B38W-11001	Hydraulic Filter Main	7414582	1	1				1	1	
T870	B38Z-11001 B47L-11001	Hydraulic Charge Filter	7319444	1	1		1	1	1	1	
		Belt – Alternator	7201422						1	1	
		Belt – Alternator	7185269						1	1	
		Belt – Drive	7201345						1	1	
		Hydraulic Oil Filter Canister Cover	7349796						1	1	
		Hydraulic Reservoir Breather Cap	6727475				1	1	1	1	
		KIT PART NUMBER		7267108	7429174		7416329	7429178	7416348	7429179	
		KIT NOTE	B38V1001 – B38V1216 B38Y1001 – B38Y11781 B38W1001 – B38W13848 B47L1001 – B47L11699	B38V12117 & Above B38Y11782 & Above B38W13849 & Above B47L11701 & Above	B38V1001 – B38V1216 B38Y1001 – B38Y11781 B38W1001 – B38W13848 B47L1001 – B47L11699	B38V12117 & Above B38Y11782 & Above B38W13849 & Above B47L11701 & Above	B38V1001 – B38V1216 B38Y1001 – B38Y11781 B38W1001 – B38W13848 B47L1001 – B47L11699	B38V12117 & Above B38Y11782 & Above B38W13849 & Above B47L11701 & Above			
T870	B47H-11001	Air Filter Engine Inner	7010031	1						1	
		Air Filter Engine Outer	7286652	1							1
		Air Filter Cabin	7176099								2
		Engine Oil filter	6678233	1	1		1				1
		Fuel Filter with Watter Sperator	6667352	1	1		1				1
		Hydraulic Filter Main	7414582	1							1
		Hydraulic Charge Filter	7319444	1			1				1
		Belt – A/C	7174707								1
		Belt – Alternator	7174706								1
		Belt – Drive	7177671								1
		Hydraulic Oil Filter Canister Cover	7349796								1
		Hydraulic Reservoir Breather Cap	6727475				1				1
				KIT PART NUMBER		7416349	7416333	7416335			7416351

MODEL	MACHINE S/N START	COMPONENT DESCRIPTION	COMPONENT PART NUMBER	FILTER KIT	MAINTENANCE KIT FOR LOADERS							
					250 HR		500 HR		1000 HR			
A770	B3BU-11001	Air Filter Engine Inner	7010031	1 1					1	1		
		Air Filter Engine Outer	7286652	1 1					1	1		
		Air Filter Cabin	7176099						2	2		
		Engine Oil filter	7012303	1 1	1 1	1	1	1	1	1		
		Fuel Filter	7023589	1	1		1		1			
		Fuel Filter	7336334			1						
		Hydraulic Filter Main	7414582	1 1			1			1		
		Hydraulic Charge Filter	7319444	1 1			1		1	1		
		Belt – Alternator	7185269				1		1	1		
		Belt – Drive	7201345						1	1		
		Hydraulic Oil Filter Canister Cover	7349796									
		Hydraulic Reservoir Breather Cap	6727475				1		1	1		
		Steering filter	6679143				1	1	1	1		
		KIT PART NUMBER					7267108	7429174	7416350	7429175	7416343	7429176
KIT NOTE					SN B3BU11001 – B3BU11918	SN B3BU11919 & Above	SN B3BU11001 – B3BU11918	SN B3BU11919 & Above	SN B3BU11001 – B3BU11918	SN B3BU11919 & Above	SN B3BU11001 – B3BU11918	SN B3BU11919 & Above





FOR EXCAVATORS

MODEL	MACHINE S/N START	COMPONENT DESCRIPTION	COMPONENT PART NUMBER	FILTER KIT	MAINTENANCE KIT FOR EXCAVATORS		
					250 HR	500 HR	1000 HR
E08	A4BP-11001 B4PC-11001	Air Filter Engine Inner	6673753	1			1
		Air Filter Engine Outer	6673752	1			1
		Engine Oil Filter	6671057	1		1	1
		Fuel Filter with Watter Sperator	6667352	1		1	1
E10	A33P-11001 B4PD-11001	Hydraulic Filter Main	6653336	1		1	1
		Belt – Alternator	6808629				1
		Hydraulic Reservoir Breather Cap	6727475			1	1
		KIT PART NUMBER		6901188		7416148	7416149
E14 E16	AHNM-11001 AHL-11001	Air Filter Engine Inner	6673753	1			1
		Air Filter Engine Outer	6673752	1			1
		Engine Oil Filter	6671057	1		1	1
		Fuel Filter with Watter Sperator	6667352	1		1	1
		Hydraulic Filter Main	6653336	1		1	1
		Belt – Alternator	6808629				1
		Hydraulic Reservoir Breather Cap	6692836			1	1
KIT PART NUMBER		6901188		7416190	7416193		
E17 E19 E20 E20Z	B27H-11001 B4PJ-11001	Air Filter Cabin	7176099	1			1
		Air Filter Engine Inner	6673753	1			1
	AWMM-11001 B4PK-11001	Air Filter Engine Outer	6673752	1			1
		Engine Oil Filter	6671057	1		1	1
	AWRH-11001	Fuel Prefilter	6683101	1			1
		Fuel Filter with Watter Sperator	6667352	1		1	1
	B4PH-11001	Hydraulic Filter Main	6661248	1		1	1
		Belt – Fan	7227648				1
Hydraulic Reservoir Breather Cap	6692836			1	1		
KIT PART NUMBER		7256941		7416150	7416151		
E17z Canopy E17z	B4PF-11001	Air Filter Engine Inner	6673753	1			1
		Air Filter Engine Outer	6673752	1			1
		Engine Oil Filter	6671057	1		1	1
		Fuel Prefilter	6683101	1			1
	B4AW-11001	Fuel Filter with Watter Sperator	6667352	1		1	1
		Hydraulic Filter Main	6661248	1		1	1
		Belt – Fan	7227648				1
		Hydraulic Reservoir Breather Cap	6692836			1	1
KIT PART NUMBER		7294827		7416150	7416152		
E25	A88B-11001	Air Filter Cabin	7176099				1
		Air Filter Cabin Recirculating	7222791				1
		Air Filter Engine Inner	6673753	1			1
		Air Filter Engine Outer	6673752	1			1
		Engine Oil Filter	6657635	1	1	1	1
		Fuel Filter with Watter Sperator	6667352	1	1	1	1
		Hydraulic Filter Case Drain	7009365	1		1	1
		Hydraulic Filter Main	6661248	1		1	1
		Belt – Fan	7193802				1
		Hydraulic Reservoir Breather Cap	6692836			1	1
KIT PART NUMBER		6987753	7416153	7416154	7416155		

MODEL	MACHINE S/N START	COMPONENT DESCRIPTION	COMPONENT PART NUMBER	FILTER KIT	MAINTENANCE KIT FOR EXCAVATORS		
					250 HR	500 HR	1000 HR
E26	ACRA-11001	Air Filter Cabin	7010331				1
		Air Filter Cabin Recirculating	7010332				1
		Air Filter Engine Inner	6673753	1			1
		Air Filter Engine Outer	6673752	1			1
		Engine Oil Filter	6657635	1	1	1	1
		Fuel Filter with Watter Seperator	6667352	1	1	1	1
		Hydraulic Filter Case Drain	7009365	1		1	1
		Hydraulic Filter Main	6661248	1		1	1
		Belt – Fan	7193802				1
		Hydraulic Reservoir Breather Cap	6692836			1	1
KIT PART NUMBER				6987753	7416153	7416154	7416156
E26 E27Z	B4B8-11001 B4B8-13375	Air Filter Cabin	7176099				1
		Air Filter Cabin Recirculating	7222791				1
		Air Filter Engine Inner	6673753	1			1
		Air Filter Engine Outer	6673752	1			1
		Engine Oil Filter	6657635	1	1	1	1
	B4B9-11001 B4B9-13375	Fuel Prefilter	6683101				1
		Fuel Filter with Watter Seperator	6667352	1	1	1	1
		Hydraulic Filter Case Drain	7009365	1		1	1
		Hydraulic Filter Main	6661248	1		1	1
		Belt – Drive	7310236				1
Hydraulic Reservoir Breather Cap	7024201			1	1		
KIT PART NUMBER				6987753	7416153	7416161	7416157
E27	B4BA-11001 B4BA-13375	Air Filter Cabin	7176099				1
		Air Filter Cabin Recirculating	7222791				1
		Air Filter Engine Inner	6673753	1			1
		Air Filter Engine Outer	6673752	1			1
		Engine Oil Filter	6657635	1	1	1	1
		Fuel Prefilter	6683101				1
		Fuel Filter with Watter Seperator	6667352	1	1	1	1
		Hydraulic Filter Case Drain	7009365	1		1	1
		Hydraulic Filter Main	6661248	1		1	1
		Belt – Drive	7302139				1
Hydraulic Reservoir Breather Cap	7024201			1	1		
KIT PART NUMBER				6987753	7416153	7416161	7416158
E32 E35	AC2N-11001	Air Filter Cabin	7176099				1
		Air Filter Cabin Recirculating	7222791				1
		Air Filter Engine Inner	6672468	1			1
		Air Filter Engine Outer	6672467	1			1
		Engine Oil Filter	6675517	1		1	1
	AC2P-11001	Fuel Filter with Watter Seperator	6667352	1		1	1
		Hydraulic Filter Case Drain	7009365	1		1	1
		Hydraulic Filter Main	6668819	1		1	1
		Belt – A/C	7009797				1
		Belt – Alternator W/O HVAC	7009796				1
		Belt – Fan	7009795				1
		Hydraulic Reservoir Breather Cap	6692836			1	1
		KIT PART NUMBER				6987645	7416159

MODEL	MACHINE S/N START	COMPONENT DESCRIPTION	COMPONENT PART NUMBER	FILTER KIT	MAINTENANCE KIT FOR EXCAVATORS			
					250 HR	500 HR	1000 HR	
E32 E35	B3CS-11001	Air Filter Cabin	7176099				1	
		Air Filter Cabin Recirculating	7222791				1	
		Air Filter Engine Inner	6672468	1			1	
		Air Filter Engine Outer	6672467	1			1	
		Engine Oil Filter	6675517	1		1	1	
	B3GR-11001	Fuel Filter with Watter Sperator	6667352	1		1	1	
		Hydraulic Filter Case Drain	7009365	1		1	1	
		Hydraulic Filter Main	6668819	1		1	1	
		Belt – A/C	7261350				1	
		Belt – Alternator W/D HVAC	7261349				1	
		Belt – Fan	7261348				1	
		Hydraulic Reservoir Breather Cap	6692836			1	1	
KIT PART NUMBER			6987645		7416159	7416354		
E34 E35Z	B3Y3-11001	Air Filter Cabin	7176099	1			1	
		Air Filter Cabin Recirculating	7222791				1	
		Air Filter Engine Inner	6672468	1			1	
		Air Filter Engine Outer	6672467	1			1	
		Engine Oil Filter	6675517	1		1	1	
	B3Y4-11001	Fuel Prefilter	6683101	1			1	
		Fuel Filter with Watter Sperator	6667352	1		1	1	
		Hydraulic Filter Case Drain	7009365	1		1	1	
		Hydraulic Filter Main	6668819	1		1	1	
		Belt – A/C	7009797				1	
		Belt – Alternator	7009796				1	
		Belt – Fan	7359022				1	
		Hydraulic Reservoir Breather Cap	6692836			1	1	
		KIT PART NUMBER			7359789		7416159	7416162
E45	AHHC-11001 B3NR-11001	Air Filter Cabin	7176099				1	
		Air Filter Cabin Recirculating	7222791				1	
		Air Filter Engine Inner	6666376	1			1	
		Air Filter Engine Outer	6666375	1			1	
		Engine Oil Filter	6675517	1		1	1	
		Fuel Filter with Watter Sperator	6667352	1		1	1	
		Hydraulic Filter Case Drain	6516722	1		1	1	
		Hydraulic Filter Main	6668819	1		1	1	
		Belt – A/C	7010252				1	
		Belt – Fan	7010894				1	
		Hydraulic Reservoir Breather Cap	6692836			1	1	
		KIT PART NUMBER			6987751		7416163	7416164

MODEL	MACHINE S/N START	COMPONENT DESCRIPTION	COMPONENT PART NUMBER	FILTER KIT	MAINTENANCE KIT FOR EXCAVATORS		
					250 HR	500 HR	1000 HR
E50 E55	AHHE-11001 B3NS-11001	Air Filter Cabin	7176099			1	
		Air Filter Cabin Recirculating	7222791			1	
		Air Filter Engine Inner	6666376	1		1	
		Air Filter Engine Outer	6666375	1		1	
		Engine Oil Filter	6675517	1	1	1	
	ASW3-11001 B3NT-11001	Fuel Filter with Water Separator	6667352	1		1	
		Hydraulic Filter Case Drain	6516722	1	1	1	
		Hydraulic Filter Main	6670207	1	1	1	
		Belt – A/C	7010252			1	
		Belt – Fan	7010894			1	
Hydraulic Reservoir Breather Cap	6692836			1	1		
KIT PART NUMBER			6987752		7416165	7416166	
E55W	AEFB-11001	Air Filter A/C	7006085	1		1	
		Air Filter Engine Inner	6666334	1		1	
		Air Filter Engine Outer	6666333	1		1	
		Engine Oil Filter	7025590	1	1	1	
		Fuel Prefilter	7013148	1	1	1	
		Fuel Filter	7010351	1	1	1	
		Hydraulic Breather Filter S/N AEFB10001 – AEFB11229	7318870	1		1	
		Hydraulic Breather Filter S/N AEFB11230 & Above	7276395	1		1	
		Hydraulic Filter Pilot	7275347	1	1	1	
		Hydraulic Filter Return	7004883	1	1	1	
		Belt – A/C	7005577			1	
		Belt – Water Pump	7004451			1	
KIT PART NUMBER			6987573		7416167	7416168	
E57W	B3WU-11001	Air Filter A/C	7287679	1		1	
		Air Filter Engine Inner	7287668	1		1	
		Air Filter Engine Outer	7287669	1		1	
		Engine Oil Filter	7012303	1	1	1	
		Fuel Filter S/N B3WU11001 – B3WU11510	7287671	1			
		Fuel Filter S/N S/N B3WU11511 & Above	7312065		1	1	
		Fuel Filter S/N B3WU12305 & Above	7287488	1	1	1	
		Hydraulic Breather Filter	7276395			1	
		Hydraulic Filter Element	7287681			1	
		Hydraulic Filter Pilot	7275347		1	1	
		Hydraulic Filter Return	7287670			1	
		Belt – A/C	7287323			1	
		Belt – Water Pump	7287324			1	
		KIT PART NUMBER			7301116		7416169

MODEL	MACHINE S/N START	COMPONENT DESCRIPTION	COMPONENT PART NUMBER	FILTER KIT	MAINTENANCE KIT FOR EXCAVATORS			
					250 HR	500 HR	1000 HR	
E60	AET8-11001	Air Filter A/C	7006085	1			1	
		Air Filter Engine Inner	6666334	1			1	
		Air Filter Engine Outer	6666333	1			1	
		Engine Oil Filter	7025590	1	1		1	
		Fuel Prefilter	7013148	1			1	
		Fuel Filter	7010351	1	1		1	
		Hydraulic Breather Filter S/N AET810001 – AET811749	7318870	1	1		1	
		Hydraulic Breather Filter S/N AET811750 & Above	7276395	1	1		1	
		Hydraulic Filter Pilot	7275347	1			1	
		Hydraulic Filter Return	7004883	1	1		1	
		Belt – A/C	7005577					1
		Belt – Fan	7004452					1
		Strainer – Hydraulic Tank	7006810					1
		KIT PART NUMBER				6987573	7416171	7416172
E62	B34P11001 to B34P11355	Air Filter A/C	7006085	1			1	
		Air Filter Engine Inner	6666334	1			1	
		Air Filter Engine Outer	6666333	1			1	
		Engine Oil Filter	7025590	1	1		1	
		Fuel Prefilter	7013148	1			1	
		Fuel Filter	7010351	1	1		1	
		Hydraulic Breather Filter	7318870	1	1		1	
		Hydraulic Breather Filter	7276395	1	1		1	
		Hydraulic Filter Pilot	7275347	1			1	
		Hydraulic Filter Return	7004883	1	1		1	
		Belt – A/C	7005577					1
		Belt – Fan	7010300					1
		Strainer – Hydraulic Tank	7006810					1
		KIT PART NUMBER				6987573	7416171	7416537
E80	AET3-11001	Air Filter A/C	7006085	1			1	
		Air Filter Engine Inner	6666334	1			1	
		Air Filter Engine Outer	6666333	1			1	
		Engine Oil Filter	7025590	1	1		1	
		Fuel Prefilter	7013148	1	1		1	
		Fuel Filter	7010351	1	1		1	
		Hydraulic Breather Filter S/N AET310001 – AET312910	7318870	1			1	
		Hydraulic Breather Filter S/N AET312911 & Above	7276395	1			1	
		Hydraulic Filter Pilot	7275347	1			1	
		Hydraulic Filter Return	7004884	1	1		1	
		Belt – A/C	7005577					1
		Belt – Fan	7004452					1
		Strainer – Hydraulic Tank	7006811					1
		KIT PART NUMBER				6987575	7416174	7416179

MODEL	MACHINE S/N START	COMPONENT DESCRIPTION	COMPONENT PART NUMBER	FILTER KIT	MAINTENANCE KIT FOR EXCAVATORS		
					250 HR	500 HR	1000 HR
E85	B34S-11001	Air Filter A/C	7006085	1			1
		Air Filter Engine Inner	6666334	1			1
		Air Filter Engine Outer	6666333	1			1
		Engine Oil Filter	7025590	1	1		1
		Fuel Prefilter	7029012	1	1		1
		Fuel Filter	7029016	1	1		1
		Hydraulic Breather Filter B34S11001 – B34S12014, B34S13467 & Above	7318870	1			1
		Hydraulic Breather Filter S/N B34S12015–B34S13466	7276395				1
		Hydraulic Filter Pilot	7275347	1			1
		Hydraulic Filter Return	7004884	1	1		1
		Belt – A/C	7005577				1
		Belt – Fan	7004452				1
		Strainer – Hydraulic Tank	7006811				1
		KIT PART NUMBER				7031399	7416180



DOWNLOAD
 FILTER AND
 MAINTENANCE
 KITS FOR
 EXCAVATORS
 REFERENCE GUIDE







FOR TELEHANDLERS

MODEL	MACHINE S/N START	PART DESCRIPTION	PART NUMBER	MAINTENANCE & FILTER KITS FOR TELEHANDLERS					
				KIT FILTER		500 HR		1000 HR	
TL470	B35F11001 & Above B35G11001 & Above B35B11001 & Above B35C11001 & Above	Air Filter Inner	6910726	1	1			1	1
		Air Filter Outer	6910725	1	1			1	1
		Cab filter	7146967					1	1
		Drive belt – air conditions	7168236					1	1
		Drive belt – alternator	7028327					1	1
		Drive belt – tensioner	7028326					1	1
		Drive belt – tensioner	7028334					1	1
		Engine Oil Filter	7028298	1	1	1	1	1	1
		Fuel Filter	7028353	1	1			1	1
		Fuel Prefilter	7028352	1	1			1	1
		Hydraulic / Hydrostatic Filter	7012477	2	1	2	1	2	1
		Hydraulic / Hydrostatic Filter	7012478	1	1	1	1	1	1
		Hydraulic Reservoir Breather Cap	6727475			1	1	1	1
		Seal kit	7027473	1	1	1	1	1	1
		Seal kit	7027474	1	1	1	1	1	1
KIT PART NUMBER				7433252	7433254	7433244	7433246	7433248	7433250
KIT NOTE				B35F11001 & Above B35G11001 & Above	B35B11001 & Above B35C11001 & Above	B35F11001 & Above B35G11001 & Above	B35B11001 & Above B35C11001 & Above	B35F11001 & Above B35G11001 & Above	B35B11001 & Above B35C11001 & Above
T40180 TL358	B33J11001 & Above B33G11001 & Above	Air Filter Inner	6910726	1	1			1	1
		Air Filter Outer	6910725	1	1			1	1
		Cab filter	7228497					1	1
		Drive belt – air conditions	7168236					1	1
		Drive belt – alternator	7028327					1	
		Drive belt – alternator	7173125						1
	B3G511001 & Above B3GJ11001 & Above	Drive belt – tensioner	7028326					1	
		Drive belt – tensioner	7028334					1	
		Engine Oil Filter	7028298	1		1		1	
		Engine Oil Filter	960698		1		1		1
		Fuel Filter	7028353	1				1	
		Fuel Filter	6911907		1				1
		Fuel Prefilter	7028352	1				1	
		Fuel Prefilter	7251998		1				1
		Hydraulic / Hydrostatic Filter	7225338	1	1	1	1	1	1
Hydraulic Reservoir Breather Cap	6727475			1	1	1	1		
KIT PART NUMBER				7433253	7433284	7433245	7433247	7433247	7433251
KIT NOTE				B33J11001 & Above B3G511001 & Above B3GJ11001 & Above	B33G11001 & Above	B33J11001 & Above B3G511001 & Above B3GJ11001 & Above	B33G11001 & Above	B33J11001 & Above B3G511001 & Above B3GJ11001 & Above	B33G11001 & Above

MODEL	MACHINE S/N START	PART DESCRIPTION	PART NUMBER	MAINTENANCE & FILTER KITS FOR TELEHANDLERS		
				KIT FILTER	500 HR	1000 HR
TL26.60	B42N11001 & Above B42R11001 & Above	A/C receiver drier filter	6674235			
		Air Filter Cabin	7228497			1
		Air Filter Engine Inner	7010031	1		1
		Air Filter Engine Outer	7286652	1		1
		Engine Oil Filter	7343102	1	1	1
TL30.60	B4ZJ11001 & Above B42P11001 & Above	Fuel Filter, Pre Filter	7348032	1		1
		Fuel Filter Main	7336334	1		1
		Fuel Tank Breather	7373582			1
TL30.70	B42T11001 & Above B42U11001 & Above	Hydraulic Filter Main	7225338	1	1	1
		Drive belt – air conditions	7168236			
		Drive belt – alternator	7267157			
		Hydraulic Reservoir Breather Cap	6727475		1	1
KIT PART NUMBER				7420390	7420391	7420392



LUBRICANTS & ACCESSORIES

Bobcat lubricants are designed to provide optimal protection that adapts to the working conditions, resulting in improved soot handling, wear protection, and resistance to breakdown under high temperatures



LUBRICANTS & ACCESSORIES



WHY NEW GENERATION ENGINE OILS?

Regulations on emissions reduction, influence of engine design and qualitative levels of lubricants. Bobcat Ultra Engine Power SAE 10W/30 and 15W/40 use the latest additive technology to protect under the most severe engine conditions found in modern low-emission engines. The oils are designed to provide optimal protection that adapts to the working conditions – resulting in improved soot handling, wear protection and resistance to breakdown under high temperatures. The low-ash formulation helps protect the exhaust catalyst and particle filters as used on the latest low-emission vehicles – making. It makes the oil suitable for the most modern low-emission heavy-duty engines.

TIER III / Stage IIIA Engines

TIER IVi / Stage IIIB Engines

TIER IV / Stage IV Engines

TIER IV / Stage V Engines



▶
WATCH
HYDRAULIC
OIL VIDEO

BOBCAT BRANDED LUBRICANTS

BOBCAT BRANDED LUBRICANTS

- Better dispersion to work with higher levels of soot
- Better detergency to minimise deposit formation
- Suitable with Ultra Low Sulphur Fuel (ULSF – 10 ppm) and 50 ppm sulphur content fuels
- Designed to fully meet the requirement of engines fitted with EGR (Exhaust Gas Recirculation) Valve to reduce emissions of NO_x (Nitrogen Oxides)
- Superior protection against corrosion caused by acidic by-products of the combustion process
- Better compatibility with new seals used in new generation engines
- Improved protection with the higher operating temperature typical of the new low emission engines





ENGINE OILS

CI-4 ENGINE OILS FOR TIER III / STAGE IIIA ENGINES

The engine power oils are intended for the Bobcat equipment requiring API CI-4 or ACEA E7 engine oils and not in need of lower SAPS engine oils (API CJ-4 / CK-4 and or ACEA E9). May also be used in other earthmoving machines. Please refer to the owner's manual of the product.

► Bobcat Engine Power SAE 10W/30

MAIN CHARACTERISTICS

- Synthetic based
- Provides superior lubrication at low temperature start-ups (-25°C)
- All-season protection
- Best protection for new and older engines, not equipped with emission reduction systems.
- Low evaporability, less top-ups required
- Also suitable for petrol engines
- Excellent dispersion, minimizing the formation of sludge and deposits

CLIMATE: NORTH CONTINENTAL

For engines with emission reduction systems, such as DPF: No

INTERNATIONAL STANDARDS

- API CI-4
- ACEA E7

P/N	5L CAN (BOX OF 4)	20L CONTAINER	210L DRUM	1000L TANK
	6987789A	6987789B	6987789C	6987789D

► Bobcat Engine Power SAE 15W/40

MAIN CHARACTERISTICS

- Low evaporability, less top-ups required
- All-season protection
- Best protection for new and older engines, not equipped with emission reduction systems
- Also suitable for petrol engines
- Excellent dispersion, minimizing the formation of sludge and deposits

CLIMATE: NORTH CONTINENTAL

For engines with emission reduction systems, such as DPF: No

INTERNATIONAL STANDARDS

- API CI-4
- ACEA E7

P/N	5L CAN (BOX OF 4)	20L CONTAINER	210L DRUM	1000L TANK
	6987790A	6987790B	6987790C	6987790D

CJ-4 ENGINE OILS FOR TIER IV / STAGE IV ENGINES

The engine power oils are intended for the Bobcat equipment not in need of lower SAPS engine oils meeting API CJ-4 and or ACEA E9. May also be used in other earthmoving machines. Please refer to the owner's manual of the product.



Bobcat Ultra Engine Power SAE 10W/30

MAIN CHARACTERISTICS

- Lower SAPS oil
- Synthetic based
- Provides superior lubrication at low temperature start-ups (-25°C)
- All-season protection
- Best protection for new and older engines with emission reduction systems.
- Low evaporability, less top-ups required
- Also suitable for petrol engines
- Excellent dispersion, minimizing the formation of sludge and deposits
- Certified enhanced lifetime of the emission control system

CLIMATE: NORTH CONTINENTAL

For engines with emission reduction systems, such as DPF: Yes

INTERNATIONAL STANDARDS

- API CJ-4
- ACEA E9/E7

P/N	5L CAN (BOX OF 4)	20L CONTAINER	210L DRUM	1000L TANK
	6987818A	6987818B	6987818C	6987818D

Bobcat Ultra Engine Power SAE 15W/40

MAIN CHARACTERISTICS

- Lower SAPS oil
- All-season protection
- Best protection for new and older engines with emission reduction systems
- Low evaporability, less top-ups required
- Also suitable for petrol engines
- Excellent dispersion, minimizing the formation of sludge and deposits
- Certified enhanced lifetime of the emission control systems

CLIMATE: NORTH CONTINENTAL

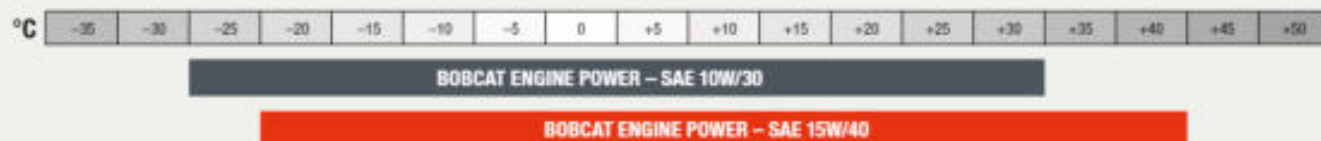
For engines with emission reduction systems, such as DPF: Yes

INTERNATIONAL STANDARDS

- API CJ-4
- ACEA E9/E7

P/N	5L CAN (BOX OF 4)	20L CONTAINER	210L DRUM	1000L TANK
	6987819A	6987819B	6987819C	6987819D

BOBCAT ENGINE OILS RECOMMENDED OUTSIDE TEMPERATURE RANGES



CK-4 ENGINE OILS FOR TIER IV / STAGE V ENGINES

Latest generation of Bobcat High Performance Low SAPS engine oils meeting API CK-4 or ACEA E9/E7 standards and suitable for Euro V and Euro VI heavy-duty diesel applications, including: modern, high-output, low-emission engines fitted with emission control systems using DPF, SCR, DOC and EGR technologies. It is also suitable for older turbocharged and naturally aspirated diesel engine generations, both on-highway and off-highway, running on low or ultra-low Sulfur diesel and bio-diesel. May also be used in other earthmoving machines and previous generations of Bobcat machines.



Ultra Engine Power SAE 10W/30

CLIMATE: NORTH CONTINENTAL

For engines with emission reduction systems, such as DPF: Yes

INTERNATIONAL STANDARDS

- API CK-4
- ACEA E9/E7

P/N	5L CAN (BOX OF 4)	20L CONTAINER	210L DRUM	1000L TANK
	7341377A	7341377B	7341377C	7341377D

Ultra Engine Power 15W/40

CLIMATE: SOUTH CONTINENTAL

For engines with emission reduction systems, such as DPF: Yes

INTERNATIONAL STANDARDS

- API CK-4
- ACEA E9/E7

P/N	5L CAN (BOX OF 4)	20L CONTAINER	210L DRUM	1000L TANK
	7395725A	7395725B	7395725C	7395725D



HYDRAULIC/HYDROSTATIC OILS

Special all-season high performance lubricants for hydraulic/hydrostatic systems designed and recommended for all Bobcat equipment. This unique, custom blended fluid with the finest base oils and additives meeting Bobcat Engineering's stringent specifications for quality and reliability.

Bobcat Superior SH Hydraulic/Hydrostatic

Bobcat Hydraulic/Hydrostatic fluid is a special blend of high quality lubricants designed to provide optimum flow at subzero temperatures yet maintain excellent stability during periods of high temperature use. Bobcat's Hydraulic/Hydrostatic fluid formula cannot be duplicated from off-the-shelf hydraulic fluids.

MAIN CHARACTERISTICS

- The same premium fluid as factory fill
- High filterability: very significant reduction of filter plugging phenomena
- 100% shear stable – Maintains superior performance under operating conditions unlike standard hydraulic lubricants
- Excellent thermal stability: high performance at high temperatures
- Very low deposit formation
- Excellent pumpability / start-ups at low temperatures
- Very high anti-wear properties
- Low evaporability, less top-ups
- Ensures seal performance and protects critical bearings, cylinder and gears
- Removes heat and wear debris and keeps the system clean
- Special anti-foaming agent to assure proper functioning of the systems

PERFORMANCE LEVEL

- DIN 51524 Part 3 HLP
- FZG 10 pass

P/N	5L CAN (BOX OF 4)	20L CONTAINER	210L DRUM	1000L TANK
	6987791A	6987791B	6987791C	6987791D

Bobcat Bio Hydraulic SBH Synthetic

Bobcat Biodegradable Hydraulic Oil is a premium, high performance environmentally friendly hydraulic oil designed to provide outstanding systems performance.

MAIN CHARACTERISTICS

- Biodegradable and environmentally friendly – 100% synthetic biodegradable hydraulic lubricant on HEES synthetic esters (not of vegetable origin)
- Can be mixed with Bobcat Superior SH and conventional hydraulic oils (if blended, performance and biodegradability will be compromised)
- Excellent thermal stability: high performance at high temperatures
- Very low deposit formation
- Excellent pumpability / start-ups at low temperatures
- Very high anti-wear properties
- Low evaporability, less top-ups
- Removes heat and wear debris and keeps the system clean

PERFORMANCE LEVEL

- AFNOR NFE 48-690 (dry filterability)
- AFNOR NFE 48-691 (wet filterability)
- DIN 51524 Part 4 HVLP
- Vickers I-286-S / M-2950-S
- Cincinnati Milacron P-68 / P-69 / P-70
- Lee Morse 100-1
- Jeffrey No. 87
- Ford M-6C32
- U.S. Steel 127 / 136
- B.F. Goodrich 0152
- General Motors LH-04-1 / LH-06-1 / LH-15-1
- Racine models

P/N	5L CAN (BOX OF 4)	20L CONTAINER	210L DRUM
	6987792A	6987792B	6987792C



High performance vegetable based Biodegradable Hydraulic lubricant designed and recommended for Bobcat Roto Telescopic Handlers.

► Bobcat Bio Hydraulic 32

High performance vegetable based Biodegradable Hydraulic lubricant designed and recommended for Bobcat Roto Telescopic Handlers.

MAIN CHARACTERISTICS

- Biodegradable and Environmentally friendly – 100% biodegradable hydraulic lubricant based on vegetable oils
- Excellent pumpability / start-ups at low temperatures
- Low deposit formation
- Very high anti-wear properties
- Ensures seal performance and protects critical bearings, cylinder and gears

PERFORMANCE LEVEL

- DIN 51524 part 3 HVLP

P/N	5L CAN (BOX OF 4)	20L CONTAINER	210L DRUM	1000L TANK
	6987877A	6987877B	6987877C	6987877D

COMPATIBILITY WITH SEALS

RECOMMENDED	NOT RECOMMENDED
Fluorocarbon polymers	Butyl rubber
Fluorosilicone rubber	Ethylene propylene copolymers
Nitrile rubber (>30% acrylonitrile)	Nitrile rubber (<30% acrylonitrile)
Polycrylate rubber	Ethylene propylene terpolymers
Polyurethane rubber	Polychloroprene
Silicone rubber	Natural rubber



BOBCAT HYDRAULIC/HYDROSTATIC OILS RECOMMENDED OUTSIDE TEMPERATURE RANGES

°C	-35	-30	-25	-20	-15	-10	-5	0	+5	+10	+15	+20	+25	+30	+35	+40	+45	+50
	BOBCAT SUPERIOR SH																	
	BOBCAT BIO HYDRAULIC SBH																	
	BOBCAT BIO HYDRAULIC 32																	

AXLE / TRANSMISSION OIL

When you depend on performance and reliability, count on bobcat lubricants and fluids to deliver superior results in all job conditions.

- Bobcat Transmission and Differential Oil is an extra high-performance multipurpose lubricant engineered to meet or exceed transmission and certain hydraulic Oil requirements. The advanced technology is designed to optimize the performance of equipment operating in a wide range of environments and conditions.
- Bobcat Transmission and Differential Oil combines select base oils and an advanced additive package to deliver the varied lubricant performance properties required in severe duty applications.
- Bobcat Transmission and Differential Oil delivers exceptional performance in today's power train transmissions and drive axles.

Bobcat Axle Transmission Oil

Special axle/transmission fluid designed and recommended for all Bobcat machines.

MAIN CHARACTERISTICS

- Special friction modifiers combined with a balanced and precise blend of other components
- Suitable for a wide range of friction disc materials (graphite, paper, sintered materials, etc)
- Longer maintenance intervals
- High thermal resistance
- Recommended for axles with wet brakes, limited slip differentials and gearboxes
- UTTO = Universal Tractor Transmission Oil

INTERNATIONAL STANDARDS

- API GL-4 Low speed/High torque

OEM STANDARDS

- ZF TE-ML 03E, 05F, 17E, 21F
- Allison C-4
- Caterpillar TO-2
- Ford New Holland ESEN M2C86C
- Ford New Holland M2C86A/B, M2C41B, M2C48B, M2C53A, M2C134A/B/C
- Massey Ferguson M1135, M1110, M1127, M1129A, M1141
- John Deere J20C
- Case International MS1210, MS1204, MS1205, MS1206, MS1207
- DENISON HF-0/HF-1/HF-2

P/N	5L CAN (BOX OF 4)	20L CONTAINER	210L DRUM
	6987794A	6987794B	6987794C

Bobcat Axle GL-5 LS SAE 85W/90

High performance Limited Slip Axle lubricant designed and recommended for all Bobcat machines.

MAIN CHARACTERISTICS

- Superior protection of gears, crown wheels and pinions
- The use of a particular and specific friction modifier (Limited Slip additive) allows usage wherever an effective and lasting reduction in jerking and vibration (Stick-Slip) is required
- Recommended for heavy-duty limited slip differentials with wet brakes/clutches

INTERNATIONAL STANDARDS

- API GL-5

OEM STANDARDS

- ML-L-2105D

P/N	5L CAN (BOX OF 4)	20L CONTAINER	210L DRUM
	6987805A	6987805B	6987805C

BOBCAT AXLE / TRANSMISSION OILS RECOMMENDED OUTSIDE TEMPERATURE RANGES



BRAKE FLUID

Special brake fluid designed and recommended for Bobcat brake systems on Telescopic Handlers produced up to December 2003. Suitable also for other applications when an LHM oil is recommended. Do not mix with DOT fluids.

Bobcat Brake Fluid LHM

MAIN CHARACTERISTICS

- Suitable for all climates
- LHM = Liquid Hydraulic Minerale

PERFORMANCE LEVEL

- NF ISO 7308
- ISO 7308
- PSA B-712710

P/N	5L CAN (BOX OF 4)
	6987795A



COOLANT / ANTIFREEZE

Special new generation long life silicate free PG coolant/antifreeze designed and recommended for all Bobcat equipment. Suitable also for other earthmoving machines, commercial vehicles, vans and cars. Provides freeze protection down to -36°C .

Bobcat PG Coolant 4 Seasons

Long life silicate free PG coolant/antifreeze designed and recommended for all Bobcat equipment. Suitable also for other earthmoving machines, commercial vehicles, vans and cars. Provides freeze protection down to -36°C .

MAIN CHARACTERISTICS

- Long life (up to 5 years).
- Silicate free coolant – highly reduced deposit formation.
- Excellent anti-corrosion protection for aluminium and different alloys/materials.
- Recommended for mixed fleet cooling systems.
- 4 seasons coolant/antifreeze.
- Formulated with demineralized water.
- PG formula is substantially less toxic than EG (ethylene glycol) based antifreeze.

Base: Propylene glycol (PG) mixture
Type: Premix – ready to use

USAGE

- Important: do not add water.
- Before using Bobcat PG Coolant to replace EG Coolant, thoroughly flush the system.
- Do not use an ethylene glycol hydrometer to test propylene glycol base coolants.

Freezing point: -36°C

P/N	5L CAN (BOX OF 4)	20L CONTAINER	210L DRUM	1000L TANK
	6987793A	6987793B	6987793C	6987793D



⚠ DO NOT MIX PG & EG ANTIFREEZE.
This causes a significant increase in freeze point.

Bobcat EG Coolant – Concentrated

High performance concentrated Ethylene Glycol coolant designed and recommended for Bobcat equipment

MAIN CHARACTERISTICS

- High durability / protection (up to 4000 h / 5 years).
- Free of silicate, borate, amine, nitrate and phosphate Specific for aluminium radiators cooling systems in particular.

Base: Ethylene glycol (EG) based antifreeze/coolant
Type: Concentrate – to be diluted with water.

USAGE

- Use of deionised water recommended (soft water possible). Do not mix with waste, industrial or sea water.
- 50/50 mixture of coolant and water provides -36°C protection.
- Before adding Bobcat EG Coolant to replace PG Coolant, thoroughly flush the system.

Freezing point: -36°C (50/50 mixture)

P/N	5L CAN (BOX OF 4)	20L CONTAINER	210L DRUM	1000L TANK
	6987803A	6987803B	6987803C	6987803D

Bobcat EG Coolant -36°C

High performance pre-mixed Ethylene Glycol coolant designed and recommended for Bobcat equipment.

MAIN CHARACTERISTICS

- Free of silicate, borate, amine, nitrate and phosphate
- High durability / protection (up to 4000 h / 5 years).
- Specific for aluminium radiators cooling systems in particular
- Ready to use, pre-mixed with demineralized water.

Base: Ethylene glycol (EG) based antifreeze/coolant
Type: Premix – ready to use

USAGE

- Important: do not add water.
- Before adding Bobcat EG Coolant to replace PG Coolant, thoroughly flush the system.

Freezing point: -36°C

P/N	5L CAN (BOX OF 4)	20L CONTAINER	210L DRUM	1000L TANK
	6987804A	6987804B	6987804C	6987804D

GREASE



Bobcat Multi-Purpose

MAIN CHARACTERISTICS

- High performance lithium grease for wet conditions and moderate loads.
- Excellent rust and corrosion protection for prolonged equipment life.
- Formulated with high quality base oils and anti-wear additives.
- High temperature performance with long grease life and reduced maintenance potential.

P/N	400GR – SOLD IN LOTS OF 24	DRUM OF 18KG	DRUM OF 50KG
	6987888	6987891	7031377

APPLICATION

- Routine and moderately loaded applications.
- Ideal for high performance, high speed bearings and joints.
- Regular re-greasing required.

SEAL COMPATIBILITY

Good seal compatibility. Protects against degradation and swelling of seal materials.

DROP POINT

260°C

COLOUR

Green



Bobcat Supreme HD

MAIN CHARACTERISTICS

- Extra high-performance lithium grease with extreme pressure additives especially suitable for axles, rings and bearings.
- Superb adhesion, structural stability and water wash out resistance for reduced leakage and extended re-lubrication for reduced usage.
- Very good anti-wear and extreme pressure performance.
- Excellent protection in wet conditions and under heavy loads.
- Ideal for lube points with sliding and pivoting movements.

P/N	400GR – SOLD IN LOTS OF 24
	6987889

APPLICATION

- High temperature, severe and heavy loaded applications.
- Less washout and excellent anti-wear for extreme pressure performance.
- Regular re-greasing recommended.

SEAL COMPATIBILITY

Contains polymer to add tackiness to resist "fling off" from grease collar at seal/bushing.

DROP POINT

From 280°C

COLOUR

Blue



Bobcat Extreme HP

MAIN CHARACTERISTICS

- Extra high-performance extreme pressure grease with 3% molybdenum disulphide for increased anti-wear and low speed protection.
- Excellent adherence to all surfaces and water wash out resistance.
- Provides exceptional protection against wear and heavy shock loads, also in wet conditions.

P/N	400GR – SOLD IN LOTS OF 12
	6987890

APPLICATION

- Designed for routine and heavy load applications.
- Long lasting, stay-put grease with excellent water and pressure resistance. Ideal for exposed joints and pivots.
- Prolonged re-greasing intervals possible if appropriate.

SEAL COMPATIBILITY

Contains polymer and moly to add tackiness to stay put.

DROP POINT

From 260°C

COLOUR

Grey



SUMMARY OF GREASE PROPERTIES

PROPERTY	MULTI-PURPOSE	SUPREME HD	EXTREME HP
Thickener type	Lithium	Lithium	Lithium
Wear resistant additive type	Anti-wear	Extreme pressure	Extreme pressure
Molybdenum (MoS)	No	No	Yes – 3%
Polymer (water wash)	Minor	Major	Major
Low temperature pumpability Automatic system	Best	Good	Poor
Low temperature pumpability hand greasing	Excellent	Excellent	Keep grease warm

LUBRICATION CHARTS



			5L CAN (BOX OF 4)	20L CONTAINER	210L DRUM	1000L TANK	
ALL BOBCAT EQUIPMENT	ENGINE	Bobcat Engine Power SAE 10W/30 CI-4		6987789A	6987789B	6987789C	6987789D
		Bobcat Engine Power SAE 15W/40 CI-4		6987790A	6987790B	6987790C	6987790D
		Bobcat Ultra Engine Power SAE 10W/30 CJ-4		6987818A	6987818B	6987818C	6987818D
		Bobcat Ultra Engine Power SAE 15W/40 CJ-4		6987819A	6987819B	6987819C	6987819D
		Ultra Engine Power SAE 10W/30 CK-4		7341377A	7341377B	7341377C	7341377D
		Ultra Engine Power SAE 15W/40 CK-4		7395725A	7395725B	7395725C	7395725D
ALL BOBCAT EQUIPMENT	HYDRAULIC / HYDROSTATIC	Bobcat Superior SH Hydraulic/ Hydrostatic		6987791A	6987791B	6987791C	6987791D
		Bobcat Bio Hydraulic SBH Synthetic		6987792A	6987792B	6987792C	6987792D
ALL BOBCAT EQUIPMENT	COOLANT/ ANTIFREEZE	Bobcat PG Coolant 4 Seasons		6987793A	6987793B	6987793C	6987793D
		Bobcat EG Coolant - Concentrated		6987803A	6987803B	6987803C	6987803D
		Bobcat EG Coolant -36°C		6987804A	6987804B	6987804C	6987804D
ALL BOBCAT EQUIPMENT	AXLE/ TRANSMISSION	Bobcat Axle/ Transmission Oil		6987794A	6987794B	6987794C	
		Bobcat Axle GL-5 LS SAE 85W/90		6987805A	6987805B	6987805C	
	BRAKE FLUID	Bobcat Brake Fluid LHM		6987795A			
ROTO TLS	HYDRAULIQUE BIODEGRADABLE	Bobcat Bio Hydraulic 32		6987877A	6987877B	6987877C	6987877D



Please note: Cans are sold in quantities of 4x 5L.

400GR GREASE	Bobcat Multi-Purpose Grease	6987888 (box of 24)
	Bobcat Supreme HD Grease	6987889 (box of 24)
	Bobcat Extreme HP Grease	6987890 (box of 12)
18KG GREASE	Bobcat Multi-Purpose Grease	6987891
50KG GREASE	Bobcat Multi-Purpose Grease	7031377



1000 liters container is the most cost effective package for any workshop. Keeping the lowest price per liter and taking up less floor space compared to the same volume stored in other packages. Convenient 1000 liters containers are available for majority of Bobcat lubricants.

FAQ

ENGINE OILS

When can I use Bobcat Ultra Engine Power?

This oil is recommended on all engines thanks to its exceptionally high TBN value (it exceeds ACEA E9 specification), but is compulsory on all machines strictly requiring the far use of Ultra Low Sulfur Diesel (ULSD) fuel and API-CJ-4/ACEA-E9 grade engine oil.

Can I use Bobcat Engine Power series in all engines?

Bobcat Engine Power series can also be used in all 4-stroke diesel engines, when high quality lubricants are recommended. Bobcat Engine Oils satisfy the latest American and European Specifications. This oil is not recommended with engines equipped with emission reduction systems such as DPF.

When should I use Bobcat Engine Power SAE 10W/30 or SAE 15W/40?

Please refer to the Ambient Temperatures / Viscosity Chart.

Can I mix Bobcat Engine Power series with Bobcat Ultra Engine Power series?

Yes. Except on the DPF equipped engines.

SYNTHETIC HYDRAULIC/HYDROSTATIC OILS

Why should hydraulic/hydrostatic fluids be changed?

Anti-wear, keep-clean, anti-foam and anti-oxidant additives are depleted with use, which reduces protection for gears, pumps and other moving parts. Also, oxidization occurs under high temperatures combined with oxygen, pressure and catalysts, causing varnishing, sticking valves, increased operating temperatures, etc. The change is needed to remove accumulated contaminants such as water, dirt and metal particles, which over time reduce effectiveness and can cause abrasive/corrosive attack on system components.

What advantages does the Synthetic based Hydraulic oil Bobcat Superior SH offer?

The main advantages are higher performance at high temperatures, easier cold start-ups, very low deposit formation, low evaporability/less top-ups, superior stable performance during all service intervals, significant wear reduction, and several other properties. It is truly a superior product.

Can I top up with Bobcat Superior SH if there is another lubricant inside the hydraulic system?

Of course. It is completely compatible with traditional mineral lubricants commonly used in hydraulic systems. Nevertheless, we recommend to drain completely the hydraulic system in order to maintain the excellent characteristics of Bobcat Superior SH.

BIODEGRADABLE SYNTHETIC HYDRAULIC OIL

Is Bobcat Bio Hydraulic SBH made of vegetable or animal origin esters?

No, Bobcat Bio Hydraulic SBH is made from 100% synthetic based oils. This guarantees less deposits (in particular at service temperatures higher than 60°C), improved performance, easier cold weather starting, high resistance at very high service temperatures and all the advantages that a synthetic lubricant can offer in comparison with mineral lubricants. Bobcat Bio Hydraulic SBH is quickly decomposed by micro-organisms, unlike traditional hydrocarbon lubricants.

COOLANT/ANTIFREEZE

What level of freezing protection does Bobcat PG Coolant guarantee?

Up to -36°C. Please remember that Bobcat PG coolant is ready to use, no need to add water.

What does "silicate free" coolant/antifreeze mean? Why is Bobcat PG Coolant formulated with demineralized water?

It means that the additives used do not contain silicates. This prevents deposits and plugging in the cooling systems. Furthermore, if water is too hard it could cause deposit formation and plugging areas in radiators. Hence the use of demineralized water.

Can I top up with Bobcat PG Coolant radiators of machines made by other manufacturers?

We obviously recommend to flush the system thoroughly with water before using Bobcat PG (Propylene Glycol) Coolant to replace an Ethylene Glycol (EG) based coolant and/or other kinds of coolants (i.e. silicate based).

AXLE/TRANSMISSION OIL

What are the main advantages of Bobcat Axle/Transmission Oil?

It is specifically developed for axles and transmissions. This product guarantees superior anti-wear protection, excellent anti-noise properties (also in very severe duty applications), better EP (extreme pressure) and anti-foam properties.

PUMPS

Manual action pump for drums (0.5 litre/stroke)

Manual action pump for transfer of oil, coolant and diesel fuel from drums. Easy to install, simple to operate, dependable and efficient.



FEATURES

- Made from aluminium and steel
- Suitable for 210 litre and 50 kg drums
- Delivery per stroke: 0.5 litre
- 2" connector for drums integrated in the body

COMPLETE WITH:

- Strong telescopic suction
- 1.5 metre transfer hose
- with rigid spout

P/N: 6986470

⚠ TO AVOID THE RISK OF CONTAMINATION, DO NOT USE THE SAME PUMP FOR DIESEL, COOLANT AND OIL (UNLESS PROPERLY CLEANED BEFOREHAND)



Kit for oil transfer

Air-operated oil kit suitable for sucking oil directly from drums and tanks. The use of highest quality materials and accurate assembly guarantee reliability and durability.



FEATURES

COMPLETE WITH:

- Air-operated oil pump
- Air pressure regulator with lubricator
- 4 metre transfer hose 1/2" R1T
- Delivery nozzle with electronic metre, rigid end with no-drip valve

P/N: 6986472 Kit for oil transfer for 210 litre drum

P/N: 6986473 Kit for oil transfer for 1000 litre tank



Manual action pump for drums with flowmeter (0.2 litre/stroke)

Manual action pump for transfer of oil, coolant and diesel fuel from drums. Easy to install, simple to operate, dependable and efficient.



FEATURES

- Made from aluminium and steel
- Suitable for 210 litre and 50 kg drums
- Delivery per stroke: 0.2 litre
- 2" connector for drums integrated in the body

COMPLETE WITH:

- Strong telescopic suction
- Electronic flowmeter
- 3 metre transfer hose
- Delivery nozzle with rigid end with no-drip valve

P/N: 6986471



Kit for oil transfer with hose-reel

Air-operated oil kit suitable for sucking oil directly from drums and tanks. The use of highest quality materials and accurate assembly guarantee reliability and durability.



FEATURES

COMPLETE WITH:

- Air-operated oil pump
- Air pressure regulator with lubricator
- Automatic hose-reel
- 15 metre transfer hose 1/2" R1T
- 2 metre connection hose between pump and hose 1/2" R1T
- delivery nozzle with electronic metre, rigid end with no-drip valve

P/N: 6986474 Kit for oil transfer for 210 litre drum

P/N: 6986475 Kit for oil transfer for 1000 litre tank





Genuine Bobcat Lubricants



Bobcat.

One Tough Animal.

Genuine Bobcat Lubricants

LIN 1A1/

Genuine Bobc



B

Genuine Bobc

18/B/FN1300.

STORAGE & TRANSPORTATION



► Containment tanks

- Containment tanks made of powder coated steel with zinc-coated grate
- Manufactured according to the latest regulations for storage of fluids
- Minimum height in order to allow easier drum loading

MODEL	L x P (MM)	P/N
 for 1 drum of 210 litres	900 x 900	6986480
 for 2 drums of 210 litres	1500 x 900	6986481
 for 3 drums of 210 litres	2000 x 900	6986482
 for 4 drums of 210 litres	2800 x 900	6986483
 for 4 drums of 210 litres or 1000 litres	1400 x 1400	6986484

► Trolley for drums

Heavy duty trolley consisting of a tubular structure, zinc-coated, for moving drums.

FEATURES

- Suitable for 200 and 50 kg drums
- 4 wheels, 2 fixed and 2 swivel (with or without brake)

P/N: 6986476 4-wheel trolley for 200 kg drum

P/N: 6986477 4-wheel trolley for 200 kg drum with brake

P/N: 6986478 4-wheel trolley for 50 kg drum

P/N: 6986479 4-wheel trolley for 50 kg drum with brake



► Tank for waste oil

Container for collection and storage of waste oils, manufactured in compliance with the applicable regulations. Made of high-density polyethylene, offering high mechanical and thermal resistance, as well as resistance to UV rays and atmospheric agents. For these reasons, it is suitable for outdoor installation and can be mounted on any level surface or on the ground.

- Comprises 2 tanks: an internal one to collect the product and an external one acting as a safety tank and for leak containment
- The top section is fitted with a large hatchway with a flip-over lid with built in filter-draining container

IN ADDITION, THE TANK IS EQUIPPED WITH:

- Level indicator, visible outside
- Leak warning light
- Oil-drain opening 500 x 300 mm
- Dimensions: Ø 1000 mm x h 1350 mm

P/N: 6986469



GREASE GUNS & FUNNELS

► Heavy-Duty pistol grease gun



- Heavy Duty Pistol Grease Gun is convenient for easy one-hand greasing operation
- 18" flex hose extension for hard-to-reach fittings
- Develops up to 7,000 PSI (480 Bar)
- 3-way loading – standard cartridge, suction or bulk fill
- Maintains pressure and grease flow on short strokes in confined spaces
- Rugged, chrome plated finish handle for maximum corrosion protection
- Oil-resistant, contoured grip for comfort and sure-handed grip
- Tough, full-molded follower allows a superior seal and eliminates grease bypass
- Ergonomically designed T-handle provides positive grip and easy filling at any position
- Non-drip cap
- Outputs 115 g of grease per 100 strokes

P/N: 6988782 45 cm (18") Flex Hose ext. – 7000 psi max

P/N: 6988785 30 cm (12") Flex Hose ext. – 4500 psi max

P/N: 6988786 45 cm (18") Flex Hose ext. – 4500 psi max

P/N: 6662067 45 cm (18") Flex Hose ext. – 2500 psi max

P/N: 6988791 Replacement Tip

P/N: 6988787 45 cm (18") Replacement Flex Grease Hose – 4500 psi max

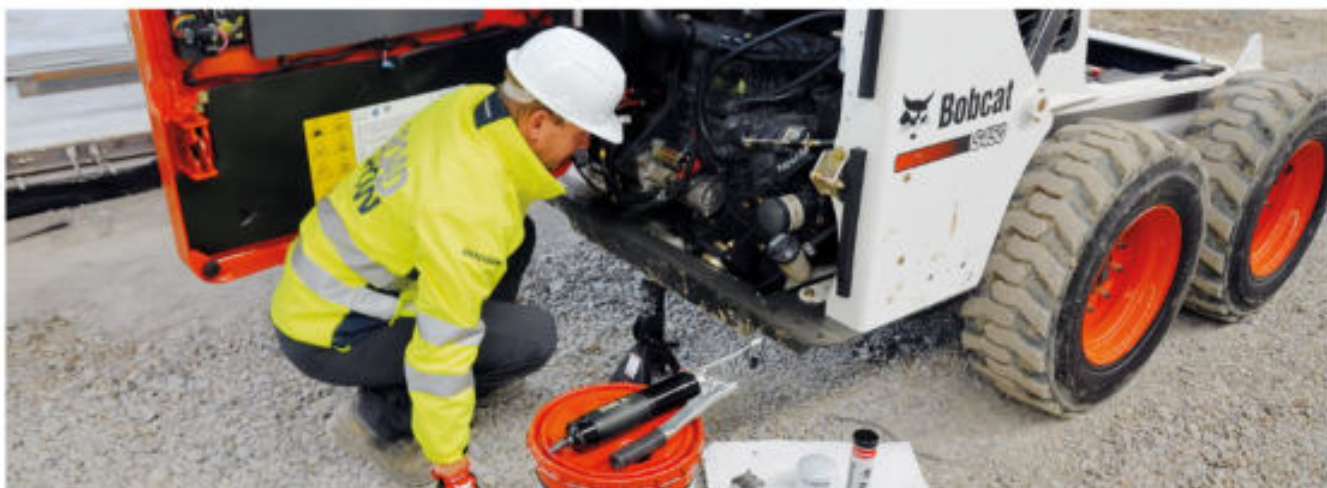
► Heavy-duty grease gun



- develops up to 10,000 PSI (690 Bar)
- Handy 3-way loading – standard cartridge, suction or bulk fill
- Maintains pressure and grease flow on short strokes in confined spaces
- Contoured lever helps develop more pressure with less effort
- Cushioned, oil-resistant grip assures firm grip for comfort and safer operation
- Follower rod lock prevents accidental grease discharge while loading and helps easy loading at any position
- Ergonomically designed T-handle provides positive grip
- Non-drip cap
- Outputs 160 g of grease per 100 strokes

P/N 6988783 Lever gun with 15 cm (6") extension

P/N: 6662067 45 cm (18") Flex Hose ext. – 2500 psi max



► Grease gun caddy

Bobcat Grease Gun Caddy is a neat and professional way to store grease guns. This versatile product accommodates either flexible hose or rigid pipe grease guns. It has a small catch tray at the bottom to solve the issue of any grease drips on the shop floor or workbench. The Caddy can be mounted almost anywhere – on shop walls, toolboxes, service trucks or workbenches. Black Grease Gun Caddy with white Bobcat decal is sold in multiples of two.



P/N: 6903983

► Grease gun holders

The grease gun holder has a corrosion resistant finish, and a simple snap-action clamp to secure the grease gun. This versatile product accommodates standard grease guns and suction guns with a 2–1/4" outside diameter barrel. This grease gun holder can be mounted on machines or in the shop using two screws (not included).



P/N: 6988784

► Grease joint rejuvenator

Have you ever tried to force grease through a grease joint or fitting and couldn't? Grease Joint Rejuvenator opens clogged grease joints and fittings in less than 1 minute. Works on all farming, excavating, construction, and industrial equipment, as well as aircraft, automobiles, trailers, and many more.

HOW? The Grease Joint Rejuvenator injects a light viscosity oil into the grease fitting (with the force of a piston), breaks up and removes dirt, rust or debris, loosens old hard grease and pushes the new grease into place.



P/N: 6902852

Grease Joint Rejuvenator Professional Includes a 12,5 cm (5") flex hose for hard-to-reach fittings.



P/N: 6902853

Grease Joint Rejuvenator Pocket Model. Small enough to fit in your pocket, big enough to do the job right. The Pocket Model Grease Joint Rejuvenator works the same way as the Professional Model, but is small enough to fit in your pocket. Especially handy for small equipment.

► Funnels

1. GALVANIZED UTILITY FUNNEL

1.4 litre capacity funnel with a 35 cm flexible metal spout. Equipped with a brass screen to prevent large particle contamination, this galvanized steel funnel has a 53 cm overall length, a diameter of 16.5 cm and a tip with an outside diameter of 1.3 cm.

2. CLEAN FUNNEL WITH CAP

Bobcat branded, black 1.4 litre clean funnel with screw-on caps at both ends and a flexible spout to eliminate spills, drops and contamination.



3. ALL PURPOSE UTILITY FUNNEL

All purpose utility funnel with extra long neck to reach out of the way spots. 46 cm overall length, 12.7 cm diameter and a tip with an outside diameter of 1.3 cm.



P/N: 6988797



P/N: 6722845



P/N: 6988796

OIL ANALYSIS KIT



INTRODUCTION

Fluids and lubricants during their life accumulate wear metals, contaminants and other substances. The oil analysis is a preventive maintenance tool based on monitoring the condition of the components through the analysis of the oil during operation. The test evaluates the proper working of the lubricated parts and identifies problems such as contamination by fuel, coolant, etc. It also evaluates the oil degradation.



WHY THE BOBCAT OIL ANALYSIS?

- Check the contamination levels of both engine and hydraulic oil, i.e. the most vital parts of your machine
- Clear diagnostic report by machine by sample
- Prevent from surprised downtime
- Oil analysis tests follow strict ISO standards

Protect your investment!

Analysis performed by an independent, experienced laboratory, with high tech equipment to guarantee state-of-the-art analysis and quality report.

Complete and easy to use

DESCRIPTION	PART NUMBER
Oil analysis kit (10 tests)	6987799
Pump	6987800

Easy to manage

An effective Analysis-Kit equipped with a suction tube and bottle, to fully simplify sampling, without any spilling and/or getting dirty.

The Analysis Kit (10 samples) consists of:

- 10 sample bottles
- 5mt PTFE tube
- 10 sample data labels
- 10 transparent resealable plastic bags
- 10 plastic envelopes

Advantages

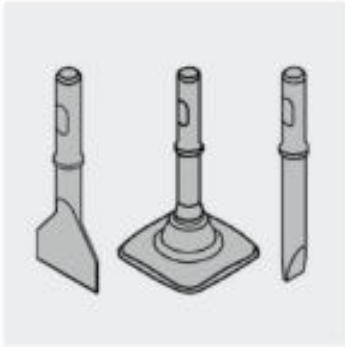
With a simple analysis of a lubricant, it is possible to:

- know the exact state of the mechanical parts (engines, gears, differentials, etc.)
- recommend preventive maintenance work
- increase the life of lubricated parts
- prevent possible damage and/or excessive wear
- optimize the frequency of oil drain interval
- lower costs of downtime due to maintenance
- ensure greater effectiveness and efficiency of the lubricated parts and/or equipment
- achieve remarkable cost savings

PARTS

ATTACHMENT WEAR PARTS





BREAKERS, CHISELS AND TOOLS

The tools are adjusted optimally to their relevant application using a special hardening process. Extreme toughness and high fatigue strength for long service life.



RING BRUSHES, GUTTER BRUSHES & WHISKERS BROOM BRISTLES

Designed for sweeping asphalt, clay, gravel, light snow, sand and other road debris. Extremely durable combination of strands with the inner ring increases the strength of the brush, which allows you to perform extreme work without any loss of strands.



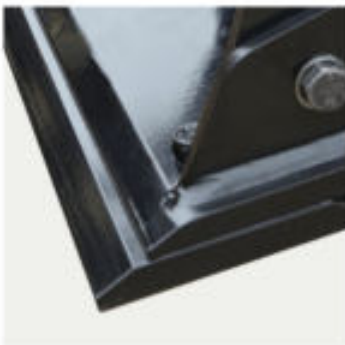
BOBCAT FLAIL MOWER CUTTING TOOLS KITS

When it is time for replacing worn out cutting tools, rely on Bobcat knives or hammers kits containing all you need for complete replacement.



ROAD REHABILITATION TOOLS

Grinding, milling and cutting asphalt, concrete and rocks are tough jobs requiring the right tools. Here is a selection of Bobcat carbide bits for planer, wheel saw and rotary grinder attachments. Latest body design for optimum penetration and rotation with washer for less stress and wear of retainer and holder system.



CUTTING EDGES

Cutting edge is the first thing hitting the ground every time the bucket bites the dirt. Every day, on and on, cutting edges get to see the effects of abrasive materials, protecting the lip of bucket from damage and wear.

BREAKERS, CHISELS AND TOOLS

Bobcat offers a selection of breaker tools, equipping
you with the right tool for each job



BREAKERS, CHISELS AND TOOLS

Bobcat offers a selection of breaker tools, equipping you with the right tool for each job. Select the right tool for the right type of rock, concrete, or asphalt you need to break.







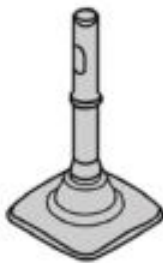
► CHISELS AND INSERTION TOOLS, PRECISELY DESIGNED TO TRANSMIT THE ENERGY OF THE BREAKER STRIKING MECHANISM

► THE TOOLS ARE ADJUSTED OPTIMALLY TO THEIR RELEVANT APPLICATION USING A SPECIAL HARDENING PROCESS

► EXTREME TOUGHNESS AND HIGH FATIGUE STRENGTH FOR LONG SERVICE LIFE








TYPE SPECIFICATION

BREAKER TYPE	INLINE WIDE CHISEL		CROSSCUT WIDE CHISEL		CROSSCUT ASPHALT CHISEL		INLINE ASPHALT CHISEL		TAMPING PAD TOOL	
	PART NUMBER	DIMENSIONS X × Y × Z (mm)	PART NUMBER	DIMENSIONS X × Y × Z (mm)	PART NUMBER	DIMENSIONS X × Y × Z (mm)	PART NUMBER	DIMENSIONS X × Y × Z (mm)	PART NUMBER	PAD DIMENSIONS (mm)
HB280										
HB380	7144658	100 × 100 × 14	7144657	100 × 100 × 14	7144658	100 × 100 × 14	7144657	100 × 100 × 14		
HB580	7144668	115 × 120 × 15	7144667	115 × 120 × 15	7144669	115 × 120 × 15	7144670	115 × 120 × 15	7144672	200 × 200
HB680	7144678	115 × 120 × 15	7144677	115 × 120 × 15	7144679	115 × 120 × 15	7144680	115 × 120 × 15	7144682	200 × 200
HB880	7144693	130 × 130 × 17	7144692	130 × 130 × 17	7144694	130 × 130 × 17	7144695	130 × 130 × 17	7144697	200 × 200
HB980	7144704	200 × 180 × 22	7144703	200 × 180 × 22	7144705	200 × 180 × 22	7144706	200 × 180 × 22	7144708	200 × 200
HB1180	7144715	160 × 140 × 17	7144714	160 × 140 × 17	7144716	160 × 140 × 17	7144717	160 × 140 × 17	7144719	200 × 200
HB1380	7163372	180 × 150 × 18	7163371	180 × 150 × 18	7163373	180 × 150 × 18	7163374	180 × 150 × 18		
HB2380	7144725	200 × 180 × 22	7144724	200 × 180 × 22	7144726	200 × 180 × 22	7144727	200 × 180 × 22		
										
	WIDE POINT <ul style="list-style-type: none"> • General use with extra-large width and additional cutting action. • For breaking up blacktop, shaking out foundry ladles and demolishing concrete and reinforced concrete. • Both parallel to shank cutting edge and 90° indexed cutting edge available. 				ASPHALT POINT <ul style="list-style-type: none"> • General use with extra-long and thin blade and additional cutting action. • For cutting blacktop or soft material. • Both parallel to shank cutting edge and 90° indexed cutting edge available. 				TAMPING POINT <ul style="list-style-type: none"> • Forged 200 × 200 mm plate for compression of ground and gravel. 	



BREAKER TYPE	INLINE FLAT CHISEL		CROSSCUT FLAT CHISEL		NAIL POINT		CONICAL POINT		BLUNT POINT	
	PART NUMBER	° ANGLE	PART NUMBER	MM	PART NUMBER	° ANGLE	PART NUMBER	° ANGLE	PART NUMBER	Ø IN MM
HB280	7144650	30	7144649	37	7144651	30			7144652	36
HB380	7144654	30	7144653	45	7144655	30			7144661	41
HB580	7144664	30	7144663	47	7144665	30	7144666	30	7144671	43
HB680	7144674	30	7144673	55	7149302	30	7144676	30	7144681	53
HB880	7144689	30	7144688	65	7144690	30	7144691	30	7144696	61
HB980	7144700	30	7144699	72	7144701	30	7144702	30	7144707	68
HB1180	7144711	30	7144710	77	7144712	30	7144713	30	7144718	76
HB1380	7163368	30	7163367	85	7163369	30	7163370	30	7163375	84
HB2380	7144721	30	7144720	95	7144722	30	7144723	30	7144728	94

				
<p>FLAT POINT</p> <ul style="list-style-type: none"> • General use with additional cutting action. • Optimal for drawing pits in rocky subsoil and separating rock slabs. • Both parallel to shank cutting edge and 90° indexed cutting edge available. 	<p>NAIL POINT</p> <ul style="list-style-type: none"> • General use for demolition work and in quarries. • Ideally suited for breaking up slag in steel mills (industrial application) and demolishing foundations. • Roadway drivage and roadway shots in mining. • The tip is pyramidally forged for wedge action during application. 	<p>CONICAL POINT</p> <ul style="list-style-type: none"> • Used for general demolition work where penetrative breaking is required. 	<p>BLUNT POINT</p> <ul style="list-style-type: none"> • The versatile blunt tool. • Ideal for breaking stone blocks, for crushing large rock pieces in quarries and for crushing slag. • Also, suitable for ground compression. 	



[!\[\]\(8be75a20d635c380cd7a52c5c7bbbed5_img.jpg\)
 DOWNLOAD
 BREAKER
 CHISELS
 REFERENCE GUIDE](#)



RING BRUSHES, GUTTER BRUSHES & WHISKERS BROOM BRISTLES

Efficient sweeping of dirt, dried mud, gravel, light snow and other debris



RING BRUSHES, GUTTER BRUSHES & WHISKERS BRUSHES & WHISKERS BROOM BRISTLES

A wide range of ring brushes, gutter brushes & whiskers broom bristles, covering Bobcat's and other brands' attachments. Efficient sweeping of dirt, dried mud, gravel, light snow and other debris.



▶ EXTREMELY DURABLE COMBINATION OF STRANDS WITH THE INNER RING INCREASES THE STRENGTH OF THE BRUSH, WHICH ALLOWS YOU TO PERFORM EXTREME WORK WITHOUT ANY LOSS OF STRANDS

▶ CONVOLUTED OR FLAT DESIGN TO FIT ALL TYPES OF APPLICATIONS

▶ CONVOLUTED (ZIG-ZAG) RING DESIGNED TO BE USED WITHOUT DISTANCE RINGS – EASIER INSTALLATION AND NO NEED FOR SPACER

TYPE SPECIFICATION

RING BRUSHES FOR ANGLE BROOM & SWEEPERS					
FITS ON	INNER RING / BRUSH MATERIAL	RING SHAPE	DIMENSIONS (MM) INT. Ø × EXT. Ø	SELL QTY	PART NUMBER
Angle broom 68" & 84"	Steel / Poly	Convolute (zig-zag shape)	255 × 813	20	6987644PACK
	Steel / Poly	Flat ring shape	254 × 815	25	6987643PACK
	Steel / Steel	Convolute (zig-zag shape)	255 × 813	20	6672505PACK
	Poly / Poly	Convolute (zig-zag shape)	255 × 813	20	6988135PACK
	Poly / Poly	Flat ring shape	255 × 813	20	6988134PACK
Angle broom 68" (S/N 690100101 and up)	Steel / Poly	Convolute (zig-zag shape)	163 × 543	25	7257970PACK
	Steel / Poly	Convolute (zig-zag shape)	163 × 543	25	6987639PACK
Industrial broom and sweepers 44", 48", 54", 60", 72"	Steel / Steel	Convolute (zig-zag shape)	163 × 543	30	6987640PACK
	Steel / Steel	Convolute (zig-zag shape)	160 × 530	25	6648798PACK
	Poly / Poly	Convolute (zig-zag shape)	163 × 543	10	6988131PACK
Sweeper 44"	Poly / Poly	Flat ring shape	163 × 543	10	6988130PACK
	Steel / Poly	Flat ring shape	112 × 420	30	6647969PACK
Sweeper 48"	Steel / Steel	Flat ring shape	112 × 420	30	6649125PACK
	Steel / Poly	Flat ring shape	128 × 550	30	6647970PACK
Sweeper 72"	Steel / Steel	Flat ring shape	128 × 550	30	6649126PACK
	Steel / Poly	Flat ring shape	178 × 600	25	6647971PACK
Sweepers 54", 60", 72" & 84"	Steel / Steel	Flat ring shape	178 × 600	25	6649127PACK
	Steel / Poly	Convolute (zig-zag shape)	162 × 610	20	6987637PACK
	Steel / Poly	Flat ring shape	162 × 610	25	6987638PACK
	Steel / Steel	Convolute (zig-zag shape)	160 × 610	25	7265139PACK
	Poly / Poly	Convolute (zig-zag shape)	162 × 610	10	6988133PACK
	Poly / Poly	Flat ring shape	162 × 610	10	6988132PACK

RING BRUSHES MATERIALS

STEEL INNER RING / POLYPROPYLENE BRUSH	STEEL INNER RING / STEEL BRUSH	POLYPROPYLENE INNER RING / POLYPROPYLENE BRUSH
		
<ul style="list-style-type: none"> • Designed for sweeping asphalt, clay, gravel, light snow, sand and other road debris • Very resistant steel inner ring • Inner ring features taps punched through the overlapping steel band, making the taps extremely stable and never loose • 2.5 mm thick polypropylene brushes, increasing ring longevity 	<ul style="list-style-type: none"> • Designed for severe applications • Very resistant steel inner ring • Steel brush material tied with steel wire • Steel brush material also glued inside the inner ring (extra precaution) • Taps are punched through the inner ring, making the taps extremely stable and never loose 	<ul style="list-style-type: none"> • Designed for sweeping asphalt, clay, gravel, light snow, sand and other road debris • 2.5 – 4 mm thick polypropylene brushes, increasing ring longevity • 100% recyclable

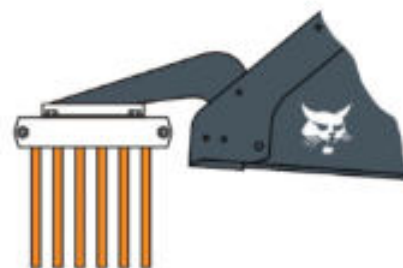
GUTTER BRUSHES

FITS ON	HEAD / BRUSH MATERIAL	SELL QTY	PART NUMBER
Side brush 44", 48", 79"	Steel / Poly	1	6683343
	Poly / Poly	1	6684421
	Steel / Steel	1	6684422
Closed broom side brush	Steel / Poly	1	6692095
	Poly / Poly	1	6692096
Telescopic side sweeper	Steel / Poly	1	6690814
		1	6690896
		1	6690897
Sweeper (gutter brush) 54", 60", 72", 84"	Poly / Steel	1	7023270
	Poly / Poly	1	6989026



WHISKERS BROOM BRISTLES

FITS ON	DIMENSIONS (IN / MM)	SELL QTY	PART NUMBER
Whisker push broom 72"	72 / 1829	8	6677189
	72 / 1829	1	6677164
Whisker push broom 90" (uses 72" broom + 18" extension)	72 / 1829	8	6677189
	72 / 1829	1	6677164
	18 / 457	1	6677172
Whisker broom 60" (2300 utility vehicle)	60 / 1524	5	6691159
	60 / 1524	1	6691160



All references also fit most competitive brands

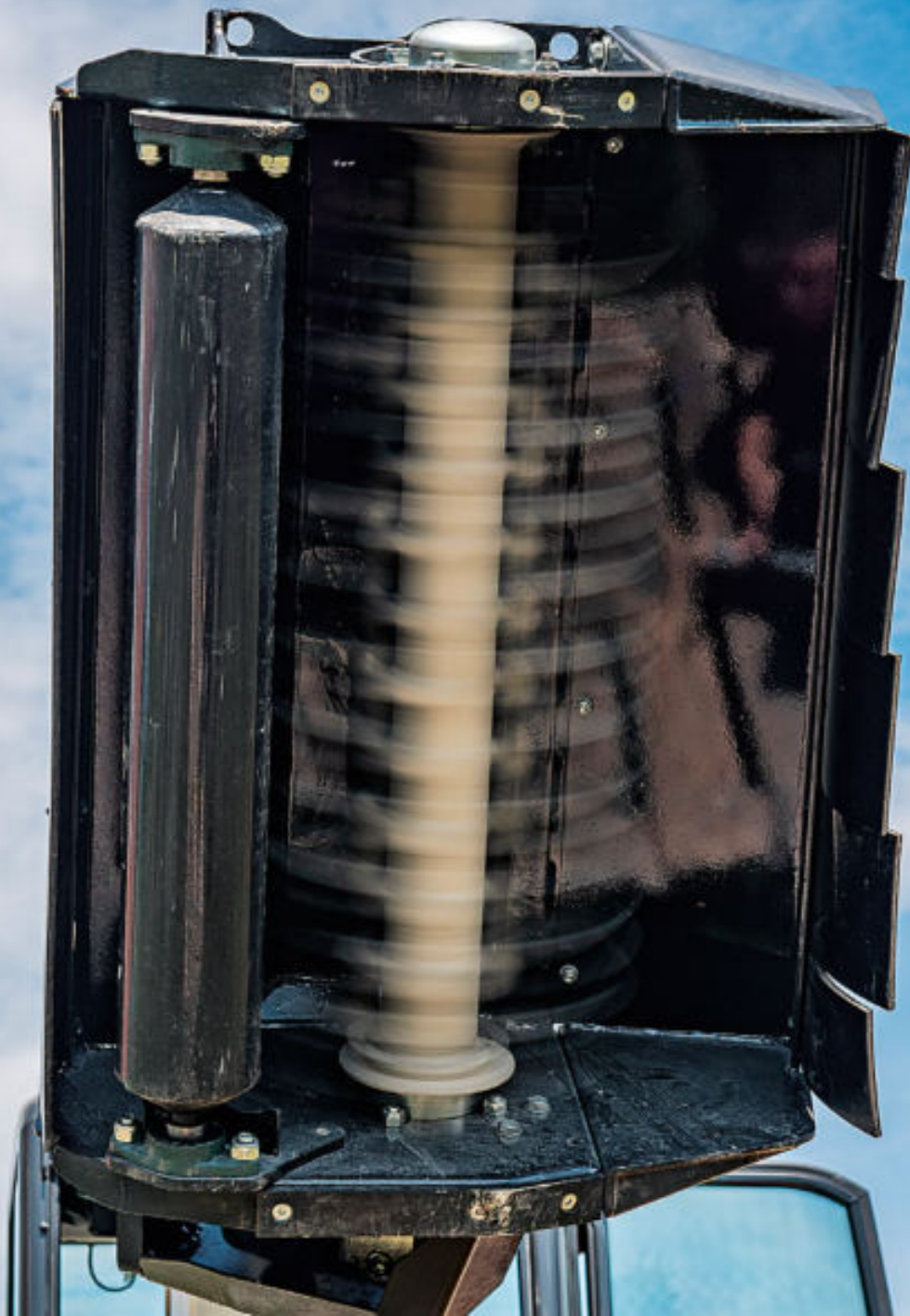


DOWNLOAD
BRUSHES,
BROOMS
REFERENCE GUIDE



BOBCAT FLAIL MOWER CUTTING TOOLS KITS

Bobcat Self-Levelling Flail Mower Attachments are powerful tools designed for cleaning uneven ground and difficult terrain from long grass and overgrown vegetation



BOBCAT FLAIL MOWER CUTTING TOOLS KITS

Bobcat Self-Levelling Flail Mower Attachments are powerful tools designed for cleaning uneven ground and difficult terrain from long grass and overgrown vegetation. When it is time for replacing worn out cutting tools, rely on Bobcat knives or hammers kits containing all you need for complete replacement.

- ▶ KITS CONTAIN ALL CUTTING PARTS AND MOUNTING HARDWARE FOR COMPLETE DRUM REBUILD.
- ▶ TWO TOOLS TYPES OPTIONS FOR DIFFERENT APPLICATIONS AVAILABLE.



CUTTING TOOLS TYPES

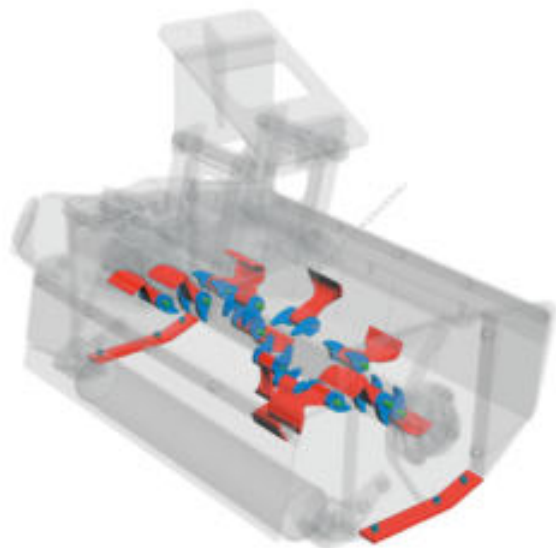
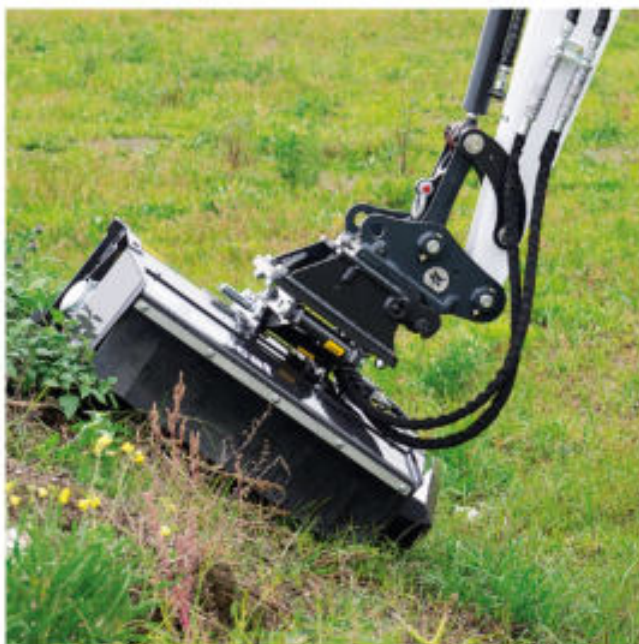
- **KNIVES** – great for cutting tall weeds and overgrowth vegetation.
- **HAMMERS** – usually used for tougher vegetation and heavier application, requiring more punch like cutting saplings and denser overgrowth.

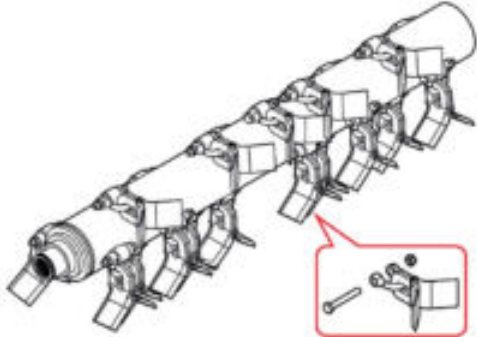
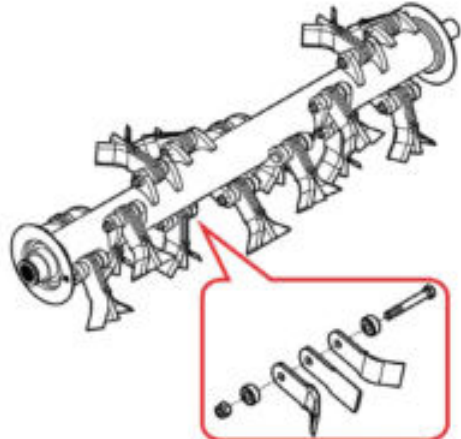
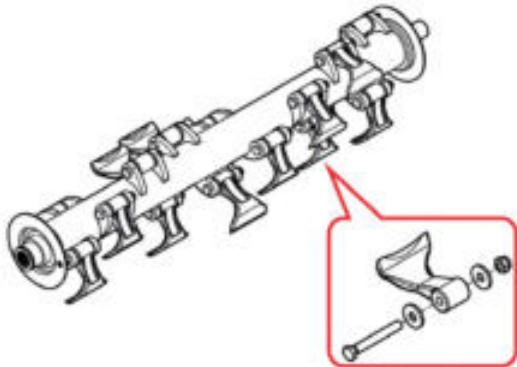
▶ SL 60 Flail Mower

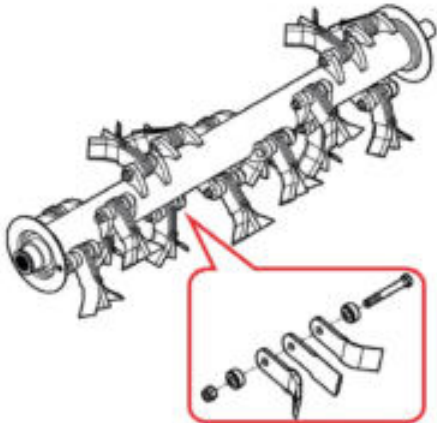
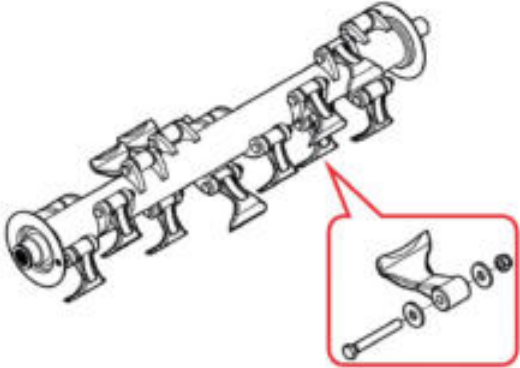
is equipped with 32 Knives as standard and is not compatible with Hammers.

▶ SL 85 Flail Mower

can be equipped either with Knives or Hammers.



FLAIL MOWER	TOOL TYPE	KIT PART NUMBER	KIT CONTENT	APPLICATION	PICTURE
SL FM 60	Knives	7396026	16 knives set including mounting hardware	<ul style="list-style-type: none"> • Tall weeds • Overgrowth vegetation 	
SL FM 85	Knives	7396027	12 knives set including mounting hardware	<ul style="list-style-type: none"> • Tall weeds • Overgrowth vegetation 	
	Hammers	7396028	12 hammers set including mounting hardware	<ul style="list-style-type: none"> • Saplings • Denser overgrowth 	

FLAIL MOWER	TOOL TYPE	KIT PART NUMBER	KIT CONTENT	APPLICATION	PICTURE
SL FM 105	Knives	7396029	16 knives set including mounting hardware	<ul style="list-style-type: none"> • Tall weeds • Overgrowth vegetation 	
	Hammers	7396030	16 hammers set including mounting hardware	<ul style="list-style-type: none"> • Saplings • Denser overgrowth 	

DOWNLOAD
 FLAIL MOWER 
 CUTTING
 TOOLS KIT
 REFERENCE GUIDE



BOBCAT BUCKET TOOTH AND KITS

Designed and manufactured to offer ideal strength and penetration, while providing long life



BOBCAT BUCKET TOOTH AND KITS

Designed and manufactured to offer ideal strength and penetration, while providing long life. Variety of shapes and sizes are available for specific application.

REPLACEMENT TOOTH KITS AND COMPONENTS FOR EXCAVATORS' BUCKETS

PIN-ON COUPLING BUCKETS											
MACHINE	BUCKET TYPE	BUCKET WIDTH (cm)	BUCKET PN	TOOTH KITS		INDIVIDUAL COMPONENTS					
				TOOTH KIT PN	QTY NEEDED	TOOTH PN	QTY NEEDED	BOLT PN	QTY NEEDED	NUT PN	QTY NEEDED
E08 E10	STANDARD DUTY	20	7208128	7299011	2	6693366	2	1CM1250	4	4DM12	4
		25	7208129								
		30	7208130	7299011	3	6693366	3	1CM1250	6	4DM12	6
		40	7208131								
	CLAY SPADE	20	7194269.P	7299011	2	6693366	2	1CM1250	4	4DM12	4
		22	7194276.P								
E17 E19 E20	STANDARD DUTY	20	7141515	7299011	2	6693366	2	1CM1250	4	4DM12	4
		23	7150075								
		25	7141516	7299011	3	6693366	3	1CM1250	6	4DM12	6
		30	7141517								
		40	7141518	7299011	4	6693366	4	1CM1250	8	4DM12	8
		45	7150076								
		50	7141519	7299011	5	6693366	5	1CM1250	10	4DM12	10
		60	7141520								
	HEAVY DUTY	30	7158364.P	7299011	3	6693366	3	1CM1250	6	4DM12	6
		40	7158370.P								
		45	7158373.P	7299011	4	6693366	4	1CM1250	8	4DM12	8
		50	7158379.P								
		60	7158382.P								
	SKELETON	50	7189650.P	7299011	4	6693366	4	1CM1250	8	4DM12	8
		60	7189651.P								
		70	7189652.P	7299011	5	6693366	5	1CM1250	10	4DM12	10
	CLAY SPADE	20	7194279.P	7299011	2	6693366	2	1CM1250	4	4DM12	4
		22	7196138.P								
		25	7195633.P	7299011	3	6693366	3	1CM1250	6	4DM12	6
		30	7195641.P								
E25 E26	STANDARD DUTY	23	7197062	7299011	2	6693366	2	1CM1250	4	4DM12	4
		25	7197063								
		30	7197064	7299011	3	6693366	3	1CM1250	6	4DM12	6
		40	7197065								
		45	7197066	7299011	4	6693366	4	1CM1250	8	4DM12	8
		50	7197067								
		60	7197068	7299011	5	6693366	5	1CM1250	10	4DM12	10
		70	7197069								
	HEAVY DUTY	25	7158473.PE2	7299011	2	6693366	2	1CM1250	4	4DM12	4
		30	7158485.PE2								
40		7158489.PE2	7299011	3	6693366	3	1CM1250	6	4DM12	6	



PIN-ON SYSTEM

PIN-ON COUPLING BUCKETS

PIN-ON
SYSTEM

MACHINE	BUCKET TYPE	BUCKET WIDTH (cm)	BUCKET PN	TOOTH KITS		INDIVIDUAL COMPONENTS													
				TOOTH KIT PN	QTY NEEDED	TOOTH PN	QTY NEEDED	BOLT PN	QTY NEEDED	NUT PN	QTY NEEDED								
E25 E26	HEAVY DUTY	45	7158492.PE2	7299011	3	6693366	3	1CM1250	6	4DM12	6								
		50	7158496.PE2	7299011	4	6693366	4	1CM1250	8	4DM12	8								
		60	7158499.PE2																
		70	7158502.PE2	7299011	5	6693366	5	1CM1250	10	4DM12	10								
	SKELETON	60	7189653.P	7299011	5	6693366	5	1CM1250	10	4DM12	10								
		70	7189654.P																
		80	7189655.P																
	CLAY SPADE	20	7195644.PE2	7299011	2	6693366	2	1CM1250	4	4DM12	4								
		25	7195651.PE2																
30		7195659.PE2	7299011									3	6693366	3	1CM1250	6	4DM12	6	
E32 E35	STANDARD DUTY	23	7180754	7299011	2	6693366	2	1CM1250	4	4DM12	4								
		25	7180755																
		30	7180756																
		40	7180757	7299011	3	6693366	3	1CM1250	6	4DM12	6								
		45	7180758																
		50	7180759	7299011	4	6693366	4	1CM1250	8	4DM12	8								
		60	7180760	7299011	5	6693366	5	1CM1250	10	4DM12	10								
		70	7180761																
	80	7180762																	
	HEAVY DUTY	30	7235042.PE3	-	-	7000987	3	1CM1450	6	53DM14	6								
		40	7235054.PE3																
		45	7235056.PE3																
		50	7235058.PE3	-	-	7000987	4	1CM1450	8	53DM14	8								
		60	7235060.PE3																
		70	7235062.PE3	-	-	7000987	5	1CM1450	10	53DM14	10								
		75	7158694.PE3																
		80	7235064.PE3																
	90	7158700.PE3	-	-	7000987	6	1CM1450	12	53DM14	12									
	SKELETON	70	7189656.P	7299011	5	6693366	5	1CM1250	10	4DM12	10								
		80	7189657.P																
		90	7189658.P									7299011	6	6693366	6	1CM1250	12	4DM12	12
		90	7189658.P																
	CLAY SPADE	25	7195717.PE3	7299011	2	6693366	2	1CM1250	4	4DM12	4								
30		7195728.PE3	7299011	3	6693366	3	1CM1250	6	4DM12	6									
35		7195731.PE3																	
40		7196097.PE3																	
E45 E50 E55	STANDARD DUTY	30	7189743	-	-	7000987	3	1CM1450	6	53DM14	6								
		40	7189744																
		45	7189745																
		50	7189746																
		60	7189747	-	-	7000987	4	1CM1450	8	53DM14	8								
		70	7189748	-	-	7000987	5	1CM1450	10	53DM14	10								
		80	7189749	-	-	7000987	6	1CM1450	12	53DM14	12								
		90	7189750																
	100	7189751																	
	HEAVY DUTY	30	7158787.PE4	7239328	3	7000988	3	1CM1450	6	4DM14	6								
40		7158793.PE4																	
45		7158796.PE4																	

PIN-ON COUPLING BUCKETS

PIN-ON
SYSTEM

MACHINE	BUCKET TYPE	BUCKET WIDTH (cm)	BUCKET PN	TOOTH KITS		INDIVIDUAL COMPONENTS					
				TOOTH KIT PN	QTY NEEDED	TOOTH PN	QTY NEEDED	BOLT PN	QTY NEEDED	NUT PN	QTY NEEDED
E45 E50 E55	HEAVY DUTY	50		7239328	4	7000988	4	1CM1450	8	4DM14	8
		60									
		70		7239328	5	7000988	5	1CM1450	10	4DM14	10
		80									
		90		7239328	6	7000988	6	1CM1450	12	4DM14	12
	SKELETON	80		-	-	7000987	5	1CM1450	10	53DM14	10
		90		-	-	7000987	6	1CM1450	12	53DM14	12
		100									
	CLAY SPADE	30									
35			-	-	7000987	3	1CM1450	6	53DM14	6	
40											
E57W	HEAVY DUTY	30									
		40		7239328	3	7000988	3	1CM1450	6	4DM14	6
		45									
		50		7239328	4	7000988	4	1CM1450	8	4DM14	8
		60									
		70		7239328	5	7000988	5	1CM1450	10	4DM14	10
		80									
		90		7239328	6	7000988	6	1CM1450	12	4DM14	12
		100		7239328	7	7000988	7	1CM1450	14	4DM14	14
	SKELETON	80		-	-	7000987	5	1CM1450	10	53DM14	10
		90		-	-	7000987	6	1CM1450	12	53DM14	12
		100									
	CLAY SPADE	30									
		35		-	-	7000987	3	1CM1450	6	53DM14	6
		40									
E62	HEAVY DUTY	30									
		40		7239328	3	7000988	3	1CM1450	6	4DM14	6
		45									
		50		7239328	4	7000988	4	1CM1450	8	4DM14	8
		60									
		70		7239328	5	7000988	5	1CM1450	10	4DM14	10
		80									
		90		7239328	6	7000988	6	1CM1450	12	4DM14	12
		100		7239328	7	7000988	7	1CM1450	14	4DM14	14
	SKELETON	80		-	-	7000987	5	1CM1450	10	53DM14	10
		90		-	-	7000987	6	1CM1450	12	53DM14	12
		100									
	CLAY SPADE	30									
		35		-	-	7000987	3	1CM1450	6	53DM14	6
		40									
E85	HEAVY DUTY	40	7172031.PDH	7308344	3	7305395	3	PIN - 7305492	6	COLLAR - 7305493	6
		50	7172034.PDH	7308344	4	7305395	4	PIN - 7305492	8	COLLAR - 7305493	8
		60	7172040.PDH								
		70	7172043.PDH	7308344	5	7305395	5	PIN - 7305492	10	COLLAR - 7305493	10
		80	7172049.PDH								

PIN-ON COUPLING BUCKETS

PIN-ON
SYSTEM

MACHINE	BUCKET TYPE	BUCKET WIDTH (cm)	BUCKET PN	TOOTH KITS		INDIVIDUAL COMPONENTS					
				TOOTH KIT PN	QTY NEEDED	TOOTH PN	QTY NEEDED	BOLT PN	QTY NEEDED	NUT PN	QTY NEEDED
E85	HEAVY DUTY	90	7172052.PDH	7308344	6	7305395	6	PIN – 7305492	12	COLLAR – 7305493	12
		100	7172058.PDH	7308344	7	7305395	7	PIN – 7305492	14	COLLAR – 7305493	14
	SKELETON	80	7189662.P	–	–	6693368	5	1CM1670	10	4DM16	10
		90	7189663.P	–	–	6693368	6	1CM1670	12	4DM16	12
		100	7189664.P	–	–	6693368	6	1CM1670	12	4DM16	12
	CLAY SPADE	35	7196127.P	–	–	6693368	3	1CM1670	6	4DM16	6
40		7196135.P	–	–	6693368	3	1CM1670	6	4DM16	6	

KLAC C COUPLING BUCKETS

KLAC™
SYSTEM

MACHINE	BUCKET TYPE	BUCKET WIDTH (cm)	BUCKET PN	TOOTH KITS		INDIVIDUAL COMPONENTS					
				TOOTH KIT PN	QTY NEEDED	TOOTH PN	QTY NEEDED	BOLT PN	QTY NEEDED	NUT PN	QTY NEEDED
E17 E19 E20	STANDARD DUTY	20	7138621	7299011	2	6693366	2	1CM1250	4	4DM12	4
		23	7150064								
		25	7138622								
		30	7138623	7299011	3	6693366	3	1CM1250	6	4DM12	6
		40	7138624								
		45	7150065								
		50	7138625	7299011	4	6693366	4	1CM1250	8	4DM12	8
	60	7138626	7299011	5	6693366	5	1CM1250	10	4DM12	10	
	HEAVY DUTY	30	7158364.K	7299011	3	6693366	3	1CM1250	6	4DM12	6
		40	7158370.K								
		45	7158373.K								
		50	7158379.K	7299011	4	6693366	4	1CM1250	8	4DM12	8
		60	7158382.K								
	SKELETON	50	7189650.K	7299011	4	6693366	4	1CM1250	8	4DM12	8
		60	7189651.K	7299011	5	6693366	5	1CM1250	10	4DM12	10
		70	7189652.K				10				
	CLAY SPADE	22	7196138.K	7299011	2	6693366	2	1CM1250	4	4DM12	4
		25	7195633.K								
30		7195641.K	7299011								
E25 E26	STANDARD DUTY	23	7150066	7299011	2	6693366	2	1CM1250	4	4DM12	4
		25	7138629								
		30	7138630	7299011	3	6693366	3	1CM1250	6	4DM12	6
		40	7138631								
		45	7150067								
		50	7138632	7299011	4	6693366	4	1CM1250	8	4DM12	8
		60	7138633	7299011	5	6693366	5	1CM1250	10	4DM12	10
	70	7150068									
	HEAVY DUTY	25	7158473.K	7299011	2	6693366	2	1CM1250	4	4DM12	4
		30	7158485.K	7299011	3	6693366	3	1CM1250	6	4DM12	6
40		7158489.K									
45		7158492.K									

KLAC C COUPLING BUCKETS

KLAC™
SYSTEM

MACHINE	BUCKET TYPE	BUCKET WIDTH (cm)	BUCKET PN	TOOTH KITS		INDIVIDUAL COMPONENTS					
				TOOTH KIT PN	QTY NEEDED	TOOTH PN	QTY NEEDED	BOLT PN	QTY NEEDED	NUT PN	QTY NEEDED
E25 E26	HEAVY DUTY	50	7158496.K	7299011	4	6693366	4	1CM1250	8	4DM12	8
		60									
		70									
	SKELETON	60	7189653.K	7299011	5	6693366	5	1CM1250	10	4DM12	10
		70	7189654.K								
		80	7189655.K								
	CLAY SPADE	20	7195644.K	7299011	2	6693366	2	1CM1250	4	4DM12	4
		25	7195651.K								
		30	7195659.K								
E32 E35	STANDARD DUTY	23	7150069	7299011	2	6693366	2	1CM1250	4	4DM12	4
		25	7138636								
		30	7138637								
		40	7138638	7299011	3	6693366	3	1CM1250	6	4DM12	6
		45	7150070								
		50	7138639								
		60	7138640	7299011	5	6693366	5	1CM1250	10	4DM12	10
		70	7138641								
		80	7150071								
	HEAVY DUTY	30	7235042.K	-	-	7000987	3	1CM1450	6	53DM14	6
		40	7235054.K								
		45	7235056.K								
		50	7235058.K	-	-	7000987	4	1CM1450	8	53DM14	8
		60	7235060.K								
		70	7235062.K								
		75	7158694.K	-	-	7000987	5	1CM1450	10	53DM14	10
		80	7235064.K								
		90	7158700.K								
SKELETON	70	7189656.K	7299011	5	6693366	5	1CM1250	10	4DM12	10	
	80	7189657.K									
	90	7189658.K									
CLAY SPADE	25	7195717.K	7299011	2	6693366	2	1CM1250	4	4DM12	4	
	30	7195728.K									
	35	7195731.K									
	40	7196097.K									
E45 E50 E55	STANDARD DUTY	30	7138670	-	-	7000987	3	1CM1450	6	53DM14	6
		40	7150072								
		45	7138671								
		50	7138672								
		60	7138673	-	-	7000987	4	1CM1450	8	53DM14	8
		70	7138674								
		80	7138675	-	-	7000987	5	1CM1450	10	53DM14	10
		90	7138676								
	100	7150149	-	-	7000987	6	1CM1450	12	53DM14	12	
	30	7158787.K									
HEAVY DUTY	40	7158793.K	7239328	3	7000988	3	1CM1450	6	4DM14	6	
	45	7158796.K									
	50	7158802.K									
	60	7158805.K									
				7239328	4	7000988	4	1CM1450	8	4DM14	8

KLAC C COUPLING BUCKETS



MACHINE	BUCKET TYPE	BUCKET WIDTH (cm)	BUCKET PN	TOOTH KITS		INDIVIDUAL COMPONENTS					
				TOOTH KIT PN	QTY NEEDED	TOOTH PN	QTY NEEDED	BOLT PN	QTY NEEDED	NUT PN	QTY NEEDED
E45 E50 E55	HEAVY DUTY	70	7158808.K	7239328	5	7000988	5	1CM1450	10	4DM14	10
		80	7158817.K								
		90	7158820.K	7239328	6	7000988	6	1CM1450	12	4DM14	12
	SKELETON	80	7189659.K	-	-	7000987	5	1CM1450	10	53DM14	10
		90	7189660.K	-	-	7000987	6	1CM1450	12	53DM14	12
		100	7189661.K	-	-	7000987	6	1CM1450	12	53DM14	12
	CLAY SPADE	30	7196100.K	-	-	7000987	3	1CM1450	6	53DM14	6
		35	7196114.K	-	-	7000987	3	1CM1450	6	53DM14	6
		40	7196117.K	-	-	7000987	3	1CM1450	6	53DM14	6
E57W	STANDARD DUTY	23	7138670	-	-	7000987	3	1CM1450	6	53DM14	6
		25	7150072								
		30	7138671								
		40	7138672								
		45	7138673	-	-	7000987	5	1CM1450	10	53DM14	10
		50	7138674								
		60	7138675	-	-	7000987	6	1CM1450	12	53DM14	12
		70	7138676								
	80	7150149									
	80	7150149									
	HEAVY DUTY	30	7158787.K	7239328	3	7000988	3	1CM1450	6	4DM14	6
		40	7158793.K								
		45	7158796.K								
		50	7158802.K	7239328	4	7000988	4	1CM1450	8	4DM14	8
		60	7158805.K								
		70	7158808.K	7239328	5	7000988	5	1CM1450	10	4DM14	10
		80	7158817.K								
		90	7158820.K								
		100	7171997.K	7239328	7	7000988	7	1CM1450	14	4DM14	14
	SKELETON	80	7189659.K	-	-	7000987	5	1CM1450	10	53DM14	10
		90	7189660.K	-	-	7000987	6	1CM1450	12	53DM14	12
		100	7189661.K	-	-	7000987	6	1CM1450	12	53DM14	12
	CLAY SPADE	30	7196100.K	-	-	7000987	3	1CM1450	6	53DM14	6
		35	7196114.K	-	-	7000987	3	1CM1450	6	53DM14	6
40		7196117.K	-	-	7000987	3	1CM1450	6	53DM14	6	
E62	HEAVY DUTY	30	7158787.KF	7239328	3	7000988	3	1CM1450	6	4DM14	6
		40	7158793.KF								
		45	7158796.KF								
		50	7158802.KF	7239328	4	7000988	4	1CM1450	8	4DM14	8
		60	7158805.KF								
		70	7158808.KF	7239328	5	7000988	5	1CM1450	10	4DM14	10
		80	7158817.KF								
		90	7158820.KF								
	100	7171997.KF	7239328	7	7000988	7	1CM1450	14	4DM14	14	
	SKELETON	80	7189659.KF	-	-	7000987	5	1CM1450	10	53DM14	10
		90	7189660.KF	-	-	7000987	6	1CM1450	12	53DM14	12
		100	7189661.KF	-	-	7000987	6	1CM1450	12	53DM14	12
	CLAY SPADE	30	7196100.KF	-	-	7000987	3	1CM1450	6	53DM14	6
		35	7196114.KF	-	-	7000987	3	1CM1450	6	53DM14	6
		40	7196117.KF	-	-	7000987	3	1CM1450	6	53DM14	6

KLAC C COUPLING BUCKETS

KLAC™
SYSTEM

MACHINE	BUCKET TYPE	BUCKET WIDTH (cm)	BUCKET PN	TOOTH KITS		INDIVIDUAL COMPONENTS					
				TOOTH KIT PN	QTY NEEDED	TOOTH PN	QTY NEEDED	BOLT PN	QTY NEEDED	NUT PN	QTY NEEDED
E85	HEAVY DUTY	40	7172031.K	7308344	3	7305395	3	PIN – 7305492	6	COLLAR – 7305493	6
		50	7172034.K	7308344	4	7305395	4	PIN – 7305492	8	COLLAR – 7305493	8
		60	7172040.K								
		70	7172043.K	7308344	5	7305395	5	PIN – 7305492	10	COLLAR – 7305493	10
		80	7172049.K								
		90	7172052.K	7308344	6	7305395	6	PIN – 7305492	12	COLLAR – 7305493	12
	100	7172058.K	7308344	7	7305395	7	PIN – 7305492	14	COLLAR – 7305493	14	
	SKELETON	80	7189662.K	–	–	6693368	5	1CM1670	10	4DM16	10
		90	7189663.K	–	–	6693368	6	1CM1670	12	4DM16	12
		100	7189664.K	–	–	6693368	6	1CM1670	12	4DM16	12
CLAY SPADE	35	7196127.K	–	–	6693368	3	1CM1670	6	4DM16	6	
	40	7196135.K	–	–	6693368	3	1CM1670	6	4DM16	6	

LEHNHOFF MS01 GERMAN COUPLING BUCKETS

GERMAN
SYSTEM

MACHINE	BUCKET TYPE	BUCKET WIDTH (cm)	BUCKET PN	TOOTH KITS		INDIVIDUAL COMPONENTS					
				TOOTH KIT PN	QTY NEEDED	TOOTH PN	QTY NEEDED	BOLT PN	QTY NEEDED	NUT PN	QTY NEEDED
E17 E19 E20	HEAVY DUTY	25	7241056	7299011	3	6693366	3	1CM1250	6	4DM12	6
		30	7241082								
		40	7241083								
		50	7241084								
		60	7241085								
	SKELETON	50	7189650.L	7299011	4	6693366	4	1CM1250	8	4DM12	8
		60	7189651.L	7299011	5	6693366	5	1CM1250	10	4DM12	10
		70	7189652.L								
	CLAY SPADE	22	7196138.L	7299011	2	6693366	2	1CM1250	4	4DM12	4
		25	7195633.L								
30		7195641.L									
E25 E26	HEAVY DUTY	25	7200188	7299011	3	6693366	3	1CM1250	6	4DM12	6
		30	7200189								
		40	7200190								
		45	7200191								
		50	7200192								
		60	7200193								
	70	7200194	7299011	5	6693366	5	1CM1250	10	4DM12	10	
	SKELETON	60	7189653.L	7299011	5	6693366	5	1CM1250	10	4DM12	10
		70	7189654.L								
		80	7189655.L								
CLAY SPADE	20	7195644.L	7299011	2	6693366	2	1CM1250	4	4DM12	4	
	25	7195651.L									
	30	7195659.L									

LEHNHOFF MS01 GERMAN COUPLING BUCKETS

GERMAN
SYSTEM

MACHINE	BUCKET TYPE	BUCKET WIDTH (cm)	BUCKET PN	TOOTH KITS		INDIVIDUAL COMPONENTS					
				TOOTH KIT PN	QTY NEEDED	TOOTH PN	QTY NEEDED	BOLT PN	QTY NEEDED	NUT PN	QTY NEEDED
E32 E35	HEAVY DUTY	30	7241288	7299011	3	6693366	3	1CM1250	6	4DM12	6
		40	7241289								
		60	7241290	7299011	4	6693366	4	1CM1250	8	4DM12	8
		80	7241291	7299011		6693366	5	1CM1250	10	4DM12	10
E32 E35	SKELETON	70	7189656.L	7299011	5	6693366	5	1CM1250	10	4DM12	10
		80	7189657.L								
		90	7189658.L	7299011	6	6693366	6	1CM1250	12	4DM12	12
	CLAY SPADE	25	7195717.L	7299011	2	6693366	2	1CM1250	4	4DM12	4
		30	7195728.L	7299011	3	6693366	3	1CM1250	6	4DM12	6
		35	7195731.L								
40	7196097.L										
E45 E50 E55	HEAVY DUTY	30	7192931	-	-	7241419	3	-	-	-	-
		40	7192932								
		50	7192933	-	-	7241419	4	-	-	-	-
		60	7192934								
		70	7192935								
		80	7192936								
	SKELETON	80	7189659.L	-	-	7000987	5	1CM1450	10	530M14	10
		90	7189660.L	-	-	7000987	6	1CM1450	12	530M14	12
		100	7189661.L	-	-	7000987	6	1CM1450	12	530M14	12
	CLAY SPADE	30	7196100.L	-	-	7000987	3	1CM1450	6	530M14	6
		35	7196114.L								
		40	7196117.L								
E57W	HEAVY DUTY	30	7192931	-	-	7241419	3	-	-	-	-
		40	7192932								
		50	7192933	-	-	7241419	4	-	-	-	-
		60	7192934								
		70	7192935								
		80	7192936								
	SKELETON	80	7189659.L	-	-	7000987	5	1CM1450	10	530M14	10
		90	7189660.L	-	-	7000987	6	1CM1450	12	530M14	12
		100	7189661.L	-	-	7000987	6	1CM1450	12	530M14	12
	CLAY SPADE	30	7196100.L	-	-	7000987	3	1CM1450	6	530M14	6
		35	7196114.L								
		40	7196117.L								
E62	HEAVY DUTY	30	7192931	-	-	7241419	3	-	-	-	-
		40	7192932								
		50	7192933	-	-	7241419	4	-	-	-	-
		60	7192934								
		70	7192935								
		80	7192936								
	SKELETON	80	7189659.L	-	-	7000987	5	1CM1450	10	530M14	10
		90	7189660.L	-	-	7000987	6	1CM1450	12	530M14	12
		100	7189661.L								
	CLAY SPADE	30	7196100.L	-	-	7000987	3	1CM1450	6	530M14	6
		35	7196114.L								
		40	7196117.L								

LEHNHOFF MS01 GERMAN COUPLING BUCKETS

GERMAN
SYSTEM

MACHINE	BUCKET TYPE	BUCKET WIDTH (cm)	BUCKET PN	TOOTH KITS		INDIVIDUAL COMPONENTS					
				TOOTH KIT PN	QTY NEEDED	TOOTH PN	QTY NEEDED	BOLT PN	QTY NEEDED	NUT PN	QTY NEEDED
E85	HEAVY DUTY	40	7241372	-	-	7241419	3	-	-	-	-
		60	7241373	-	-	7241419	4	-	-	-	-
		80	7241374	-	-	7241419	5	-	-	-	-
		90	7241375	-	-	7241419	5	-	-	-	-
E85	SKELETON	80	7189662.L	-	-	6693368	5	1CM1670	10	4DM16	10
		90	7189663.L	-	-	6693368	6	1CM1670	12	4DM16	12
		100	7189664.L	-	-	6693368	6	1CM1670	12	4DM16	12
	CLAY SPADE	35	7196127.L	-	-	6693368	3	1CM1670	6	4DM16	6
		40	7196135.L	-	-	6693368	3	1CM1670	6	4DM16	6



Weld-On Tooth And Assemblies For Excavator Buckets

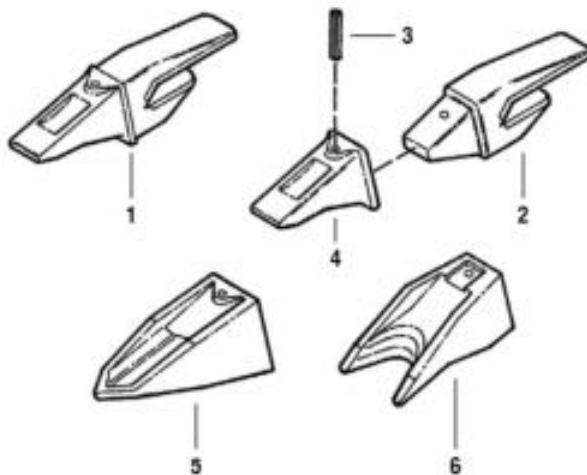
A weld-on tooth assembly is available for use on Bobcat excavator buckets in three tooth configurations: The tiger tooth, the twin tiger tooth and the standard tooth – are designed to suit various digging requirements.

The shank is welded to the bucket cutting edge. The teeth are held to the weld-on shank with a roll pin. In below table, part numbers are listed for the tooth assembly components and complete assembly.



WELD-ON TOOTH AND ASSEMBLIES FOR EXCAVATOR BUCKETS			
PART NUMBER	DESCRIPTION	EXTENDED DESCRIPTION	POSITION
7107328	Complete Tooth Assembly	Includes Weld-On Shank, Roll Pin and Standard 114,3 mm (4.5") Tooth.	1
7107322	Weld-on Shank		2
14J3732	Roll Pin		3
7107319	Standard Cast Tooth	The standard 114,3 mm (4.5") long cast tooth.	4
7107320	Tiger Tooth	Used with the twin tiger tooth for maximum penetration of hard or frozen surfaces. Installed between twin teeth, provides superior digging capabilities, long lasting tooth life.	5
7107321	Twin Tiger Tooth	Installed at each end of bucket edge, twin angled tooth cuts path for bucket side. Designed for penetrating frozen or rocky ground, shale or hard pan. When the outside point is worn, tooth can be reversed to other side of bucket for extended tooth life.	6

DIMENSIONS



Weld-On Bucket Teeth for Loaders' or Excavators' Buckets

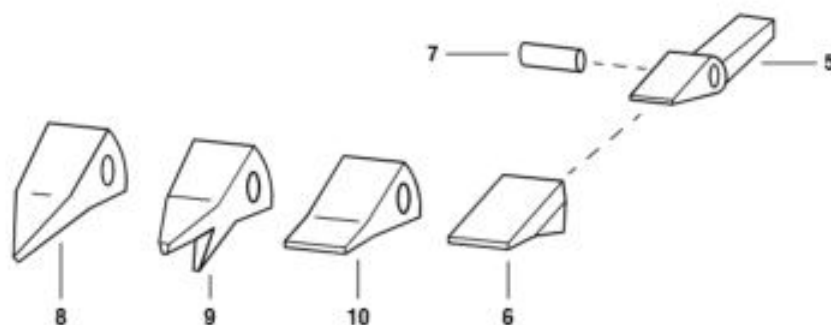
A weld-on tooth is available for use on Bobcat buckets in three tooth configurations: The standard tooth, the heavy-duty cast tooth and the small tooth – these teeth are designed to suit various digging requirements.

The shank is welded to the bucket cutting edge. The teeth are held to the weld-on shank with a roll pin. In below table, part numbers are listed for the tooth assembly components.



WELD ON BUCKET TEETH FOR ATTACHMENT BUCKETS			
PART NUMBER	DESCRIPTION	EXTENDED DESCRIPTION	POSITION
6630424	Standard Tooth	The standard cast tooth. Approximately 131.5 mm (5.18") long.	6
6657330	Heavy-Duty Cast Tooth	An alternative to the standard bucket tooth. This rugged one-piece cast tooth is hardened for extended tooth life and designed for those harsh applications where a heavy-duty tooth is required – hard pan, shale, rocky or frozen ground. Tooth will last longer than the standard tooth, reduces frequent tooth replacement. Replace the standard tooth with a heavy duty cast tooth for difficult digging applications.	10
6657328	Single Penetrator Tooth	Used with twin penetrator tooth for maximum penetration of hard or frozen surfaces. Installs between twin teeth, provides superior digging capabilities, long lasting tooth life.	8
6657329	Twin Penetrator Tooth	Two required per bucket. Installed at each end of bucket edge, twin angled tooth cuts path for bucket side. Designed for penetrating frozen or rocky ground, shale or hard pan. When the outside point is worn, tooth can be reversed to other side of bucket for extended tooth life.	9
1550017	Small Tooth	Shorter than the standard cast tooth. Approximately 109.5 mm (4.31") long.	
6630398	Weld-On Shank	This shank fits both all above tooth using the flex-pin 6567620.	5
6567620	Flex Pin	Flex pin to be used along with 6630424 and the 6657330 tooth and 6630398 Weld-On Shank (sold in multiples of 12).	7

DIMENSIONS



► Bolt-on Bucket Teeth for Loaders' or Excavators' Buckets

Bobcat offers multiple bolt-on bucket teeth and components for your attachment bucket needs.

The standard tooth, the longer forged tooth, wider forged tooth and two tiger tooth options are designed to suit various digging requirements.

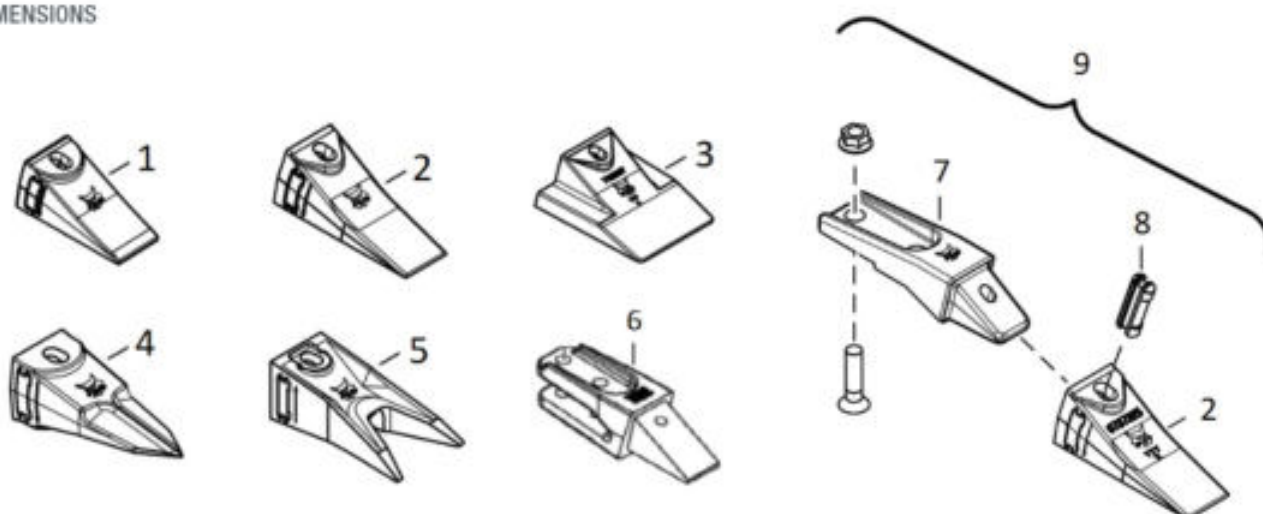
The tooth is affixed to the shank with a flex-pin. The complete assembly (tooth and shank) is then bolted to the bucket edge.

The tooth is designed so it does not protrude below the cutting edge of the bucket. This allows for a smooth grading job even with a tooth bucket.



BOLT ON BUCKET TEETH ASSEMBLIES FOR ATTACHMENT BUCKETS			
PART NUMBER	DESCRIPTION	EXTENDED DESCRIPTION	POSITION
7107319	Short Tooth	The standard 114,3 mm (4.5") long cast tooth.	1
6737325	Longer Forged Tooth	The longer forged tooth is approximately 140 mm (5.5") long. The shape of this tooth has been changed to increase the life and wear of the tooth. When installed, these teeth will add efficiency and enhanced performance.	2
7102097	Forged Wider Edge Tooth	The 140 mm (5.5") long x 114,3 mm (4.5") wide edge tooth is designed to protect bucket side edges. The shape of this tooth is the same as the longer forged standard tooth but is 4 inches wide. This forged tooth is designed to add efficiency and extend the life of bucket side and front edge.	3
7107320	Tiger Tooth	Used with the twin tiger tooth for maximum penetration of hard or frozen surfaces. Installed between twin teeth, provides superior digging capabilities, long lasting tooth life.	4
7107321	Twin Tiger Tooth	Two required per bucket. Installed at each end of bucket edge, twin angled tooth cuts path for bucket side. Designed for penetrating frozen or rocky ground, shale or hard pan. When the outside point is worn, tooth can be reversed to other side of bucket for extended tooth life.	5
7107324	Bolt-on Double Shank		6
6737324	Bolt-on Single Shank		7
6737326	Flex-pin (sold in multiples of 10)		8
6737322	Complete Bolt-On Assembly	Longer Forged Tooth, Bolt-on Single Shank, Flex-pin, 2 Nuts and Bolts	9

DIMENSIONS



Teeth Kits for UK Style Digging Buckets

Bucket teeth kits are the easiest way to refresh worn-out teeth and give a bucket the bite needed for tackling demanding jobs. Every kit contains 2 side teeth with integrated side cutter, a central tooth (or teeth) if required, and all mounting hardware – making the replacement as easy as possible. These Heavy-Duty teeth are designed for the toughest conditions and are the same as used on production buckets.



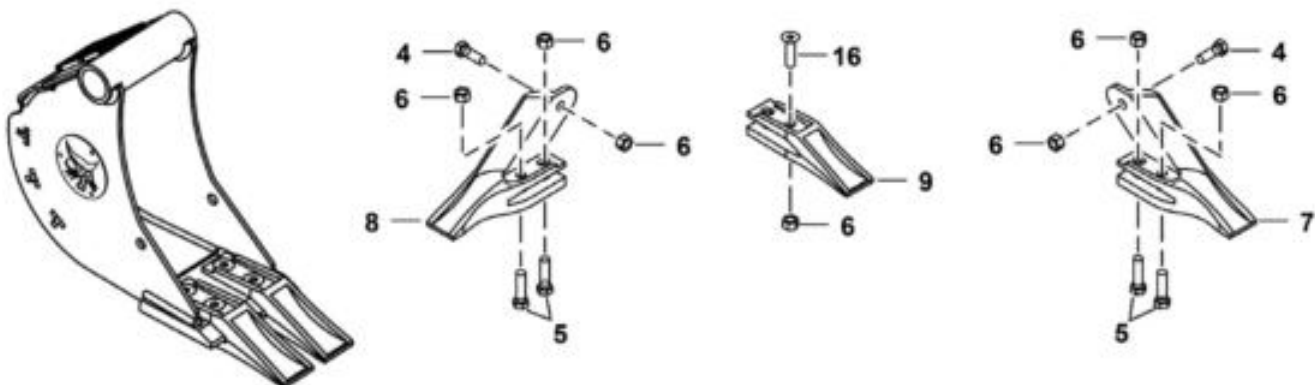
Side Tooth with integrated side cutter

Central Bucket Tooth

UK STYLE BUCKETS TEETH KITS					
TOOTH KIT PN	HARDWARE PART NUMBER	COMPONENT DESCRIPTION	REF.	QTY.	USE WITH BUCKETS
7407994	7405627	TOOTH SIDECUTTER LEFT	7	1	Use with 150, 230 & 300 mm buckets. 7414237, 7407974, 7407982, 7414185, 7405642, 7405644, 7414159, 7405439
	7405628	TOOTH SIDECUTTER RIGHT	8	1	
	4CM1245	BOLT 5	4.5	6	
	4DM12	NUT HEX	6	6	
7407999	7405627	TOOTH SIDECUTTER LEFT	7	1	Use with 450 mm buckets. 7407990, 7405646, 7405441
	7405628	TOOTH SIDECUTTER RIGHT	8	1	
	6693366	TOOTH BUCKET	9	1	
	4CM1245	BOLT 5	4.5	8	
	4DM12	NUT HEX	6	8	
7405683	7405627	TOOTH SIDECUTTER LEFT	7	1	Use with 600 mm buckets. 7414239, 7405648, 7405443, 7405445
	7405628	TOOTH SIDECUTTER RIGHT	8	1	
	6693366	TOOTH BUCKET	9	2	
	4CM1245	BOLT 5	4.5	10	
	4DM12	NUT HEX	6	10	

All of the individual parts are also available separately.

DIMENSIONS



ROAD REHABILITATION TOOLS

Grinding, milling and cutting asphalt, concrete and rocks
are tough jobs requiring the right tools



ROAD REHABILITATION TOOLS

Grinding, milling and cutting asphalt, concrete and rocks are tough jobs requiring the right tools. Here is a selection of Bobcat carbide bits for planer, wheel saw and rotary grinder attachments.

- ▶ CEMENTED TUNGSTEN CARBIDE FOR EXCEPTIONAL WEAR RESISTANCE, AIR-HARDENED STEEL FOR TOUGHNESS
- ▶ LATEST BODY DESIGN FOR OPTIMUM PENETRATION AND ROTATION WITH WASHER FOR LESS STRESS AND WEAR OF RETAINER AND HOLDER SYSTEM
- ▶ TIPS DESIGNED TO BEST MATCH YOUR APPLICATION












TIPS

HOW TO REPLACE BITS SAFELY

1. WEAR APPROVED PERSONAL PROTECTION EQUIPMENT: EYE AND EAR PROTECTION, STEEL-TOED SHOES, PROTECTIVE HELMET, GLOVES, AND A VEST.
2. DO NOT CHANGE TOOLS WHEN THE CUTTING CHAIN, DRUM, OR WHEEL IS MOVING OR STILL ENGAGED.
3. ALLOW ATTACHMENT TO COOL DOWN AND ALWAYS WEAR PROTECTIVE GLOVES TO INSPECT OR TOUCH BITS AND CONICALS.
4. EXERCISE CARE WHEN REMOVING TOOLS.
5. MAKE SURE TOOLS ARE PROPERLY SEATED AND SECURELY RETAINED.
6. INSPECT TOOLS DAILY. DO NOT USE DULL, CRACKED, BURRED, OR BENT TOOLS.



ATTACHMENT	OPTIMAL APPLICATION	SHANK DIAMETER	CUTTING PERFORMANCE	PART NUMBER	QUANTITY PER BOX	DESCRIPTION	DRAWING
Wheel Saw / Planer	Asphalt	20 mm 0.76"	Premium*	7338747	Sold individually	Long and wide blunt cap-shaped carbide tip for longer life and high fracture resistance. For all types of asphalt and low density abrasive material. Washer to provide block protection and extractor groove-easing bit removal during change.	
	Concrete, Rock / Paint Removal	20 mm 0.76"	Premium*	7010631	Sold individually	Cylindrical-shaped plug carbide tip for high impact and high density materials applications. Deeply recessed carbide for longer life. Washer to provide block protection and extractor groove-easing bit removal during change. Large 12 mm diameter carbide tip for longer life, high penetration and maximum productivity.	
			Premium*	7338748	Sold individually	Cylindrical-shaped plug carbide tip for high impact and high density materials applications. Deeply recessed carbide for longer life. Washer to provide block protection and extractor groove-easing bit removal during change. Slightly smaller diameter tip compared to 7010631 reduces tool price.	
Wheel Saw – narrower width / Planer – finishing drum	Concrete, Rock / Paint Removal	13 mm 0.5"	Premium*	7024421	Sold individually	Standard bit from the factory for planers with finishing drum, also used for some narrower-width wheel saws. Smaller in size than normal planer / WS bits. For drilling in medium to hard conditions, high impact and abrasive applications. Flanged carbide tip for increased wear resistance in abrasive cutting.	
Wheel Saw	Heavy Duty, Concrete, Rock	20 mm 0.76"	Premium*	7339841	Sold individually	Best bit for hard concrete with large aggregate or steel rebar. For drilling concrete and rock cutting. Supersized 15 mm diameter narrow bottom tip for maximum impact strength and tool life. Bit for applications where standard bits work their way out of the holders. Body with extractor groove-easing bit removal during change.	
Rotary Grinder RG20	Heavy Duty, Concrete, Rock	20 mm 0.76"	Premium*	7021325	Sold individually	Standard bit from the factory for RG20 rotary grinder. Large diameter cap type carbide tip grinds powerfully in concrete, asphalt or rock. Perfect tool for digging trenches, removing wall surfaces, partial or complete demolitions. Snap ring is included.	
Rotary Grinder RG40 & RG60	Heavy Duty, Concrete, Rock	22 mm 0.86"	Premium*	7021230	Sold individually	Standard bit from the factory for RG40 and RG60 rotary grinders, using larger 22 mm shank bore. Large diameter cap type carbide tip grinds powerfully in concrete, asphalt or rock. Perfect tool for digging trenches, removing wall surfaces, partial or complete demolitions. Snap ring is included.	
Wheel Saw / Planer	Asphalt	20 mm 0.76"	Standard**	7356716	75 pieces	Cost effective version of Bobcat's asphalt bit for all types of asphalt and low-density abrasive material. Washer providing block protection and extractor groove for easy removal.	
	Concrete, Rock / Paint Removal	20 mm 0.76"	Standard**	7370901	50 pieces	Cost effective version of Bobcat's concrete, rock bit for high impact and high density materials applications. Washer providing block protection and extractor groove for easy removal.	

* Industry Best. Unique design optimized for best penetration and tool rotation. Delivers machine efficiency, economy and overall performance, while ensuring machines fuel usage, productivity and wear characteristics aren't affected.

** Cost effective tools meeting industry quality. Best used in general, little less demanding jobs. Proven quality for significantly lower prices.



Use Bobcat 6678073, 6678074 tools for extracting worn bits from attachment when they need to be replaced.



6678073
Bit removal
hammer puller



6678074
Bit removal
hammer punch



DOWNLOAD
WHEEL SAW /
PLANER BITS
REFERENCE
GUIDE



CUTTING EDGES

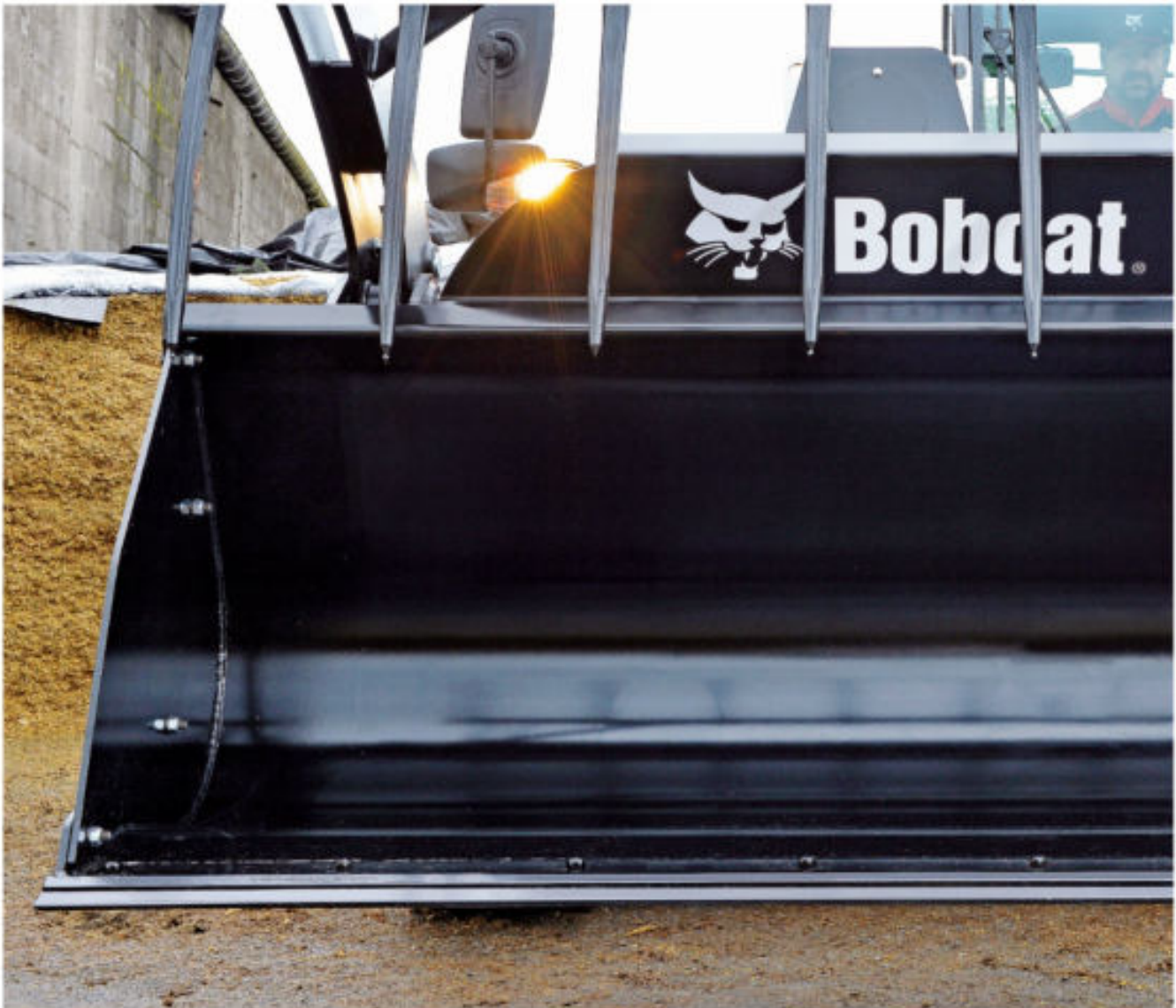
Cutting edge is the first thing hitting the ground every
time the bucket bites the dirt



CUTTING EDGES



Cutting Edges are designed to minimize the time required to replace and to increase bucket capacity, and they reduce downtime by maintaining a long wear. For specific requirements rubber or polyurethane edges are available to complement the range.



Bobcat Weld-on Cutting Edges with Prepunched Bolt Holes

Bobcat weld-on edges with prepunched holes are designed for use with Bobcat reversible bolt-on edges, making their installation easy. Replace the high wear front bucket cutting edges by installing a new prepunched weld-on edge, which accommodates Bobcat bolt-on cutting edges.



BOBCAT WELD-ON CUTTING EDGES				
PART NUMBER	BLADE SIZE	DIMENSIONS (LENGTH × THICKNESS × WIDTH)		SIDE HEIGHT
6713701	1829 mm (72") Blade	1841 × 19.1 × 152 mm (72.48" × 0.75" × 6.00")		76 mm (3")
6713702				83 mm (3.25")
6713704	1676 mm (66") Blade	1693 × 19.1 × 152 mm (66.64" × 0.75" × 6.00")		76 mm (3")
6713705				83 mm (3.25")
6713707	1524 mm (60") Blade	1524 × 12.7 × 152 mm (60" × 0.50" × 6.00")		76 mm (3")
6713708				1524 × 19.1 × 152 mm (60" × 0.75" × 6.00")
6713710	1372 mm (54") Blade	1372 × 12.7 × 152 mm (54" × 0.50" × 6.00")		76 mm (3")

SEE BOBCAT REVERSIBLE BOLT ON CUTTING EDGES FOR CUTTING EDGES THAT WORK WITH WELD-ON EDGES.

Single bevel and Reversible double bevel Bolt-on Edges

Bobcat Single bevel cutting edges are the direct replacement for the edges used on the factory buckets. Thanks to cut to size length and predrilled holes, the replacement cannot be any easier.



BOBCAT BOLT-ON SINGLE BEVEL CUTTING EDGES				
PART NUMBER	LENGTH	WIDTH	NO. OF HOLES	BUCKET USED ON
6729042	914 mm (36")	152 mm (6")	6	Dirt 91 cm, GP 91 cm
6729043	1118 mm (44")	152 mm (6")	7	Dirt 112 cm, GP 112 cm
7104502	1270 mm (50")	152 mm (6")	7	Dirt 127 cm, GP 127 cm
7125269	1422 mm (56")	152 mm (6")	6	GP 127 cm
6732406	1575 mm (62")	152 mm (6")	7	GP 158 cm
7104508	1727 mm (68")	152 mm (6")	7	GP 173 cm
7104510	1880 mm (74")	152 mm (6")	8	GP 188 cm

Bobcat Bolt-on Reversible, Double Bevel Cutting Edges Prolong the Life of Buckets. Reversible blades are wider and longer to give added wear, surface and bucket protection.

- 8-inch wide blades come in 7 lengths to fit most popular-size buckets. Wider blades mean longer wear (6" wide blade fits on 48" buckets).
- Reversible blades made of SAE C1080 steel for superior abrasion resistance.
- 22° angle on bevel gives sharper edge; blade works better.
- Bolts to bottom of bucket; edges add strength to loader buckets, allows for longer bucket wear.
- Easily attached to bucket with nuts and bolts (hardware sold separately).


BOBCAT BOLT-ON REVERSIBLE, DOUBLE BEVEL CUTTING EDGES

PART NUMBER	LENGTH	WIDTH	NUMBER OF HOLES
6661450	1255 mm (49.39")	152 mm (6")	7
7160267	1270 mm (50")	203 mm (8")	6
6661451	1398 mm (55.02")	203 mm (8")	9
7102450	1422 mm (56")	203 mm (8")	6
6661452	1562 mm (61.5")	203 mm (8")	9
6718005	1575 mm (62")	203 mm (8")	7
6718006	1727 mm (68")	203 mm (8")	7
6661453	1733 mm (68.22")	203 mm (8")	11
6661454	1780 mm (70.08")	203 mm (8")	11
6713713	1879 mm (73.98")	203 mm (8")	11
6718007	1880 mm (74")	203 mm (8")	8
6661455	2022 mm (79.62")	203 mm (8")	13
6718008	2032 mm (80")	203 mm (8")	8
7172352	2083 mm (82")	203 mm (8")	8
7125924	2134 mm (84")	203 mm (8")	8
6807069	2153 mm (84.75")	203 mm (8")	9
6727317	2235 mm (88")	203 mm (8")	9
6661456	2251 mm (88.62")	203 mm (8")	15
6715464	2540 mm (100")	203 mm (8")	17



Bobcat buckets are shipped from the factory with pre drilled holes in the original front cutting edge.

Pre drilled holes reduce the amount of time and labor required to install a reversible bolt-on, double bevel cutting edge. This is restricted to buckets without the standard type teeth.

The buckets listed in this table are shipped with pre drilled holes in the original cutting edge.

BUCKETS & EDGES COMPATIBILITY CHART

SIZE	BUCKET TYPE	PART NUMBER
1372 mm (54")	Dir; Construction/Industrial	6661451
1524 mm (60")	Construction/Industrial; LowPro; Utility	6661452
1676 mm (66")	Construction/Industrial; LowPro; Utility; Light Material	6661453
1829 mm (72")	Construction/Industrial; LowPro; Utility	6713713
1981 mm (78")	LowPro	6661455

► Bulk Bucket Cutting Edges

Bulk-length weld-on bucket cutting edges can reduce blade inventory and help you always be ready to quickly source required length. Edges are made of the same quality material as the blades used on production buckets.

BULK CUTTING EDGES DO REQUIRE CUTTING TO LENGTH BEFORE WELDING IN PLACE.

BULK BUCKET CUTTING EDGES			
PART NUMBER	THICKNESS	WIDTH	LENGTH
6701005	12.7 mm (1/2")	102 mm (4")	1687 mm (66.4")
6701004	19.1 mm (3/4")	152 mm (6")	1682 mm (66.2")

► Snow blade steel cutting edges

Steel cutting edges are fitted as a standard on Bobcat snow blades.

Replacement Cutting Edge uses the same material and is available in factory dimensions for easy replacement.



SNOW BLADE STEEL CUTTING EDGE				
PART NUMBER	LENGTH	WIDTH	NUMBER OF HOLES	SNOW BLADE
7195435	1372 mm (54")	102 mm (4")	7	Snow Blade 137 cm
6905995	1524 mm (60")	152 mm (6")	7	Snow Blade 152 cm
6905155	1829 mm (72")	152 mm (6")	8	Snow Blade 183 cm
6673634	2134 mm (84")	152 mm (6")	9	Snow Blade 213 cm
6673606	2438 mm (96")	152 mm (6")	10	Snow Blade 244 cm
7135661	2184 mm (86")	152 mm (6")	9	Snow Blade 218 cm HD
7161165	2438 mm (96")	152 mm (6")	10	Snow Blade 244 cm HD
7160646	2743 mm (108")	152 mm (6")	11	Snow Blade 274 cm HD



RUBBER EDGES

Versatile Bobcat loaders tackle a variety of applications, but sometimes an alternative to metal edges is needed to protect delicate surfaces and provide a 'softer touch'. Rubber Edges are made of durable rubber compounds to ensure a long wear life. Rubber Edges are available in 8 lengths and are 25.4 mm (1") thick and 152 mm (6") wide.

Here are some of the rubber edges advantages versus normal steel cutting edges:

- Rubber edges do not gouge into surfaces. They follow surface irregularities.
- Rubber edges reduce damage to concrete floors. They offer a squeegee effect on wet floors.
- Rubber edges reduce noise (compared to steel) from the bucket edge scraping on hard surfaces.
- Steel edges can create sparks. Rubber reduces the risk of fire or explosion in certain conditions.
- Rubber edges create a softening effect on the machine and can reduce operators fatigue and vibration.

RUBBER EDGES								
RUBBER EDGE			PRODUCT SPECIFICATIONS			MOUNTING HARDWARE		
EDGE SIZE	KIT PART NUMBER	EDGE PART NO.	WIDTH	THICKNESS	NO. OF SLOTTED HOLES	HARDWARE PART NUMBER	HARDWARE DESCRIPTION	QTY.
1372 mm (54")	7199966	7199863	127 mm (5")	25.4 mm (1")	7	7199869	1372 mm (54") Retainer	1
						37C840	Bolt	7
						87D8	Nut	7
1524 mm (60")	7167531	6906116	152 mm (6")	25.4 mm (1")	7	6905976	610 mm (24") Retainer	1
						6905977	915 mm (36") Retainer	1
						37C1040	Bolt	7
						87D10	Nut	7
1717 mm (68")		7131167	76.2 mm (3")	9.5 mm (3/8")	9	37C512	Bolt	9
						37C516	Bolt – used with skid shoes	4
						89D5	Nut	13
1829 mm (72")	7167532	6905143	152 mm (6")	25.4 mm (1")	8	6905977	915 mm (36") Retainer	2
						37C1040	Bolt	8
						87D10	Nut	8
2032 mm (80")		6988053	152 mm (6")	25.4 mm (1")	8	37C1040	Bolt	8
						4E10	Washer	8
2134 mm (84")	6905400	6905144	152 mm (6")	25.4 mm (1")	9	6905977	915 mm (36") Retainer	1
						6905978	1219 mm (48") Retainer	1
						37C1040	Bolt	9
						87D10	Nut	9
2184 mm (86")	7169614	7169591	152 mm (6")	25.4 mm (1")	19	7169592	940 mm (37") Retainer	1
						7169593	1245 mm (49") Long Retainer	1
						37C1040	Bolt	9
						87D10	Nut	9
2438 mm (96")	6905401	6905145	152 mm (6")	25.4 mm (1")	10	6905978	1219 mm (48") Retainer	2
						37C1040	Bolt	10
						87D10	Nut	10
2743 mm (108")	7169615	7169587	152 mm (6")	25.4 mm (1")	11	6905978	1219 mm (48") Retainer	1
						7169588	1524 mm (60") Retainer	1
						37C1040	Bolt	11
						87D10	Nut	11

► Polyurethane Cutting Edges for Snow Blades & Pushers

Polyurethane cutting edges for the Bobcat snow blades and snow pushers have many advantages over both metal and rubber edges that include:

- Better abrasion characteristics than rubber and most metals
- Extremely resilient, therefore absorbing impact and conforming to the surface being plowed rather than damaging the surface
- Reduce driver fatigue and equipment wear by minimizing blade and equipment vibration
- Quiet in operation, making them ideal for use in residential and public areas

POLYURETHANE CUTTING EDGES CAN SAVE TIME AND MONEY AS THEY ARE LESS LIKELY TO DAMAGE CONCRETE AND ASPHALT PARKING LOTS, SUBMERGED LIGHTING SYSTEMS, PAVEMENT MARKINGS, AND OTHER DELICATE SURFACES.



POLYURETHANE CUTTING EDGES FOR SNOW BLADES & PUSHERS								
POLY EDGE			MOUNTING HARDWARE					
EDGE SIZE	KIT PART NUMBER	EDGE PART NUMBER	RETAINER PART NUMBER	QTY.	BOLT PART NUMBER	QTY.	NUT PART NUMBER	QTY.
1371 mm (54")	7199969	7199866	7199869	1	37C840	7	87D8	7
1524 mm (60")	7170982	6983083	6905976	1	37C1048	7	87D10	7
			6905977	1				
1829 mm (72")	7170983	6983084	6905977	2	37C1048	8	87D10	8
2134 mm (84")	7170984	6983085	6905978	1	37C1048	9	87D10	9
			6905977	1				
2184 mm (86")	7169616	7169611	7169592	1	37C1048	9	87D10	9
			7169593	1				
2388 mm (94")		7121433	Use Existing Hardware					
2438 mm (96")	7169617	6983086	6905978	2	37C1048	10	87D10	10
2743 mm (108")	7169618	7169613	6905978	1	37C1048	10	87D10	10
			7169588	1				
3048 mm (120")		7121434	Use Existing Hardware					

Kit includes: Edge, retainer(s), bolts and nuts.

SNOW V-BLADE RUBBER CUTTING EDGES

Versatile V-Blade offers offers 5 differen blade configurations to help operators move snow fast. Replacement rubber edges kits consist of 2 rubber edges and all mounting hardware allowing for various blade positioning.



KIT PART NUMBER	EDGE		MOUNTING HARDWARE		
	PART NUMBER	WIDTH	HARDWARE PART NUMBER	DESCRIPTION	QTY.
6958664	6682161 (2 pieces needed)	762 mm (30") edge for 1524 mm (60") kit	6682166	Strap 1524 mm (60")	2
			1C864	Bolt	2
			37C840	Bolt	4
			4E8	Washer	4
			61D8	Nut	4
6958665	6682162 (2 pieces needed)	914 mm (36") edge for 1829 mm (72") kit	6682167	Strap 1829 mm (72")	2
			1C864	Bolt	2
			37C840	Bolt	6
			4E8	Washer	6
			61D8	Nut	6
6958666	6682163 (2 pieces needed)	1067 mm (42") edge for 2134 mm (84") kit	6682168	Strap 2134 mm (84")	2
			1C864	Bolt	2
			37C840	Bolt	6
			4E8	Washer	6
			61D8	Nut	6
6958667	6682164 (2 pieces needed)	1219 mm (48") edge for 2438 mm (96") kit	6682169	Strap 2438 mm (96")	2
			1C864	Bolt	2
			37C840	Bolt	8
			4E8	Washer	8
			61D8	Nut	8
6958668	6682165 (2 pieces needed)	1372 mm (54") edge for 2744 mm (108") kit	6682170	Strap 2744 mm (108")	2
			1C864	Bolt	2
			37C840	Bolt	8
			4E8	Washer	8
			61D8	Nut	8

Kit includes: Two edges, straps, bolts, nuts and washers.

Blank Polyurethane Bucket Cutting Edges

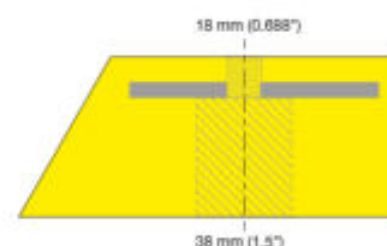
Polyurethane Edges offer several performance advantages over their steel and rubber counterparts and can provide substantial benefits, especially for snow removal, such as good abrasion characteristics, reduction of operator fatigue and equipment wear, and quiet operation. Stocking blank (with no holes) edges enables rapid turnaround time and possibility to fit any bucket size.



BLANK BUCKET POLY EDGES			
EDGE PART NUMBER	LENGTH	WIDTH	HEIGHT
6988872	1575 mm (62")	203 mm (8")	63.5 mm (2.5")
6988873	1880 mm (74")	152 mm (6")	63.5 mm (2.5")
6988874	1524 mm (60")	152 mm (6")	63.5 mm (2.5")
6988871*	2540 mm (100")	203 mm (8")	63.5 mm (2.5")

* 6988871 ships in two pieces.

Cut the length and drill holes to match the bucket. Polyurethane edges are very easy to cut and drill (using existing edge as a template) with standard power tools.



HARDWARE		
BOLT PART NO. & SIZE USED WITH STEEL EDGES	BOLT PART NO. & SIZE USED WITH POLY EDGES	POLY NUT PART NUMBER
39C1032 – 5/8" × 2"	17C1048 – 5/8" × 3"	83D10
39C1036 – 5/8" × 2.25"	17C1052 – 5/8" × 3.25"	83D10
9G824 – 1/2" × 1.5"	17C840 – 1/2" × 2.5"	97D8
9G828 – 1/2" × 1.75"	17C844 – 1/2" × 2.75"	97D8

Bucket Bite Tooth Bars

Bobcat Bucket Bite is an attachment installed on a loader bucket, improving its digging performance and helping to penetrate compacted dirt piles or dig through difficult terrain. Bucket Bite is mounted inside standard buckets and, based on type, compatible with bolt-on edge mounted or removed.

Bucket Bite advantages:

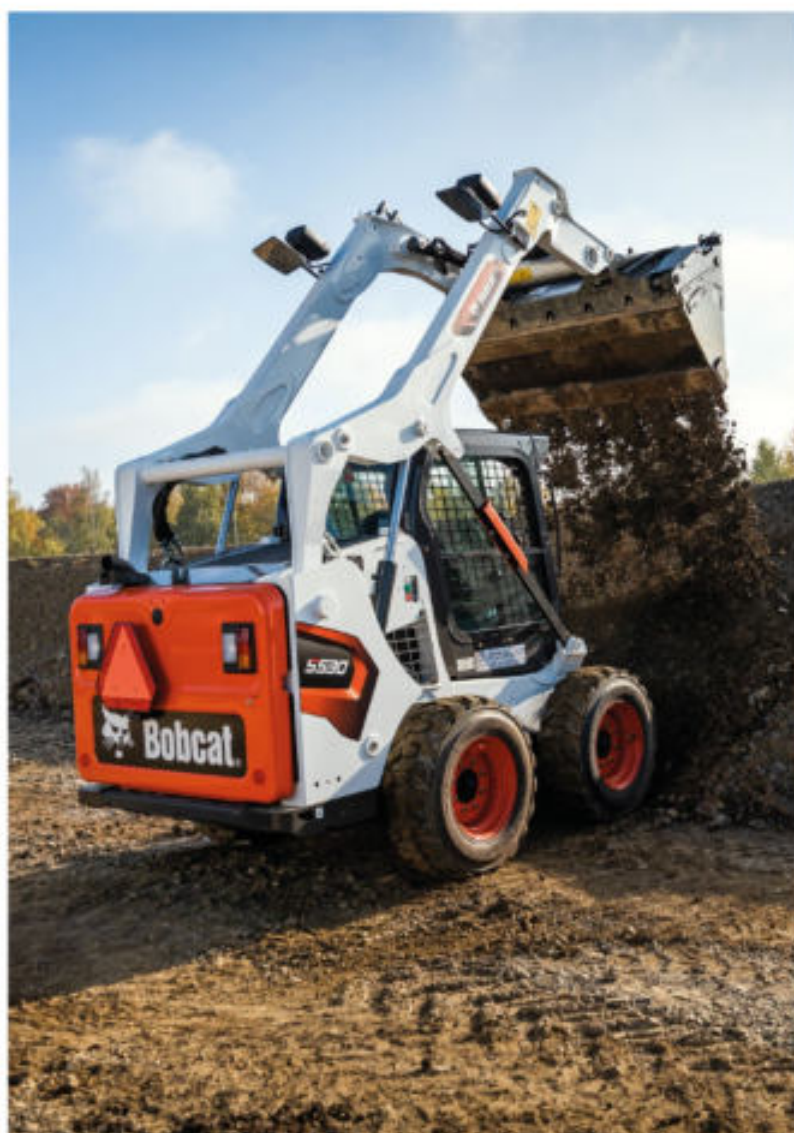
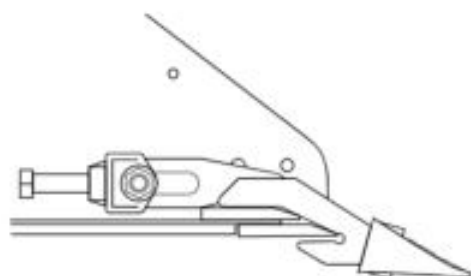
- Exclusive adjusting system
- Reduces wear on bucket edge
- Replaceable teeth
- Aids in digging in hard ground
- Increases bucket strength
- Makes standard bucket versatile
- Also available in bolt on tooth bar version that fits over a bolt-on edge



► Bucket Bite requiring bolt-on edge removed

BOLT-ON EDGE MUST BE REMOVED		
PART NUMBER	DESCRIPTION	BUCKET COMPATIBILITY
7115543	KIT, BUCKET BITE 1118 mm (44") – 6 teeth	Construction/Industrial & Utility Buckets
7125548	KIT, BUCKET BITE 1118 mm (44") – 6 teeth	General Purpose & Dirt Buckets
6905521	KIT, BUCKET BITE 1219 mm (48") – 6 teeth	
7125549	KIT, BUCKET BITE 1270 mm (50") – 6 teeth	
6905522	KIT, BUCKET BITE 1372 mm (54") – 7 teeth	
7125550	KIT, BUCKET BITE 1422 mm (56") – 7 teeth	
6905523	KIT, BUCKET BITE 1524 mm (60") – 7 teeth	
6905314	KIT, BUCKET BITE 1575 mm (62") – 7 teeth	
6905315	KIT, BUCKET BITE 1676 mm (66") / 1727 mm (68") – 8 teeth	Fits on 66" Bucket, 68" Round Back Bucket or 66" Combo Bucket
6905316	KIT, BUCKET BITE 1829 mm (72") / 1880 mm (74") – 9 teeth	Fit on 72" Bucket or 74" Round Back Bucket
6905524	KIT, BUCKET BITE 1880 mm (74") – 9 teeth	Combination Bucket
6905525	KIT, BUCKET BITE 1956 mm (77") – 9 teeth	
6905526	KIT, BUCKET BITE 1981 mm (78") – 9 teeth	
6905317	KIT, BUCKET BITE 2032 mm (80") – 9 teeth	

FIT ON BUCKET WITH REMOVED EDGE

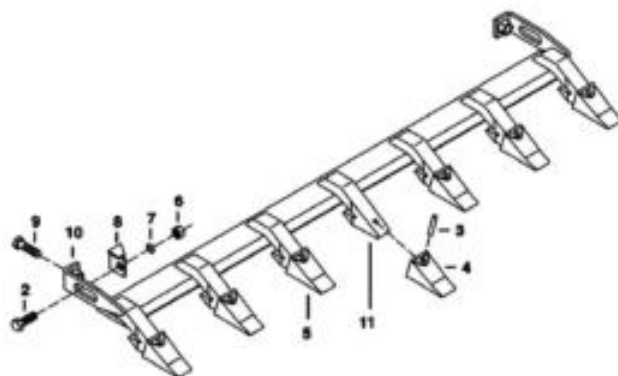




TEETH MOUNTED WITH VERTICAL PIN

REF.	PART NUMBER	QTY.	DESCRIPTION
2	17C1232	2	BOLT
3	14J3732	×	ROLL PIN
3	6737326	×	FLEX PIN
4	7107319	×	TOOTH, BUCKET
4	7107333	×	TOOTH ASSY Ref.
6	61D12	2	NUT
7	25E27	2	WASHER flat
7	4E12	2	WASHER lock
8	6958357	1	MOUNT, SLIDE L.H.
8	6958357	1	MOUNT, SLIDE R.H.
9	6665905	2	BOLT
10	6958356	2	BRACKET
11	N/A	×	SHANK

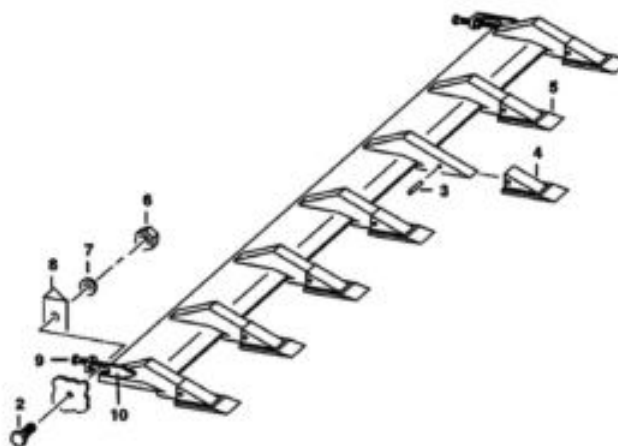
VERTICAL PIN BUCKET BITE PARTS DIAGRAM



TEETH MOUNTED WITH HORIZONTAL PIN

REF.	PART NUMBER	QTY.	DESCRIPTION
2	17C1232	2	BOLT
3	14J3732	×	ROLL PIN
3	6567620	×	FLEX PIN
4	6630424	×	TOOTH, BUCKET
4	1550017	×	TOOTH, BUCKET W/ 1118 mm (44")
6	61D12	2	NUT
7	25E27	2	WASHER flat
7	4E12	2	WASHER lock
8	6958357	1	MOUNT, SLIDE L.H.
8	6958357	1	MOUNT, SLIDE R.H.
9	6665905	2	BOLT 3.00" long
10	6958356	2	BRACKET

HORIZONTAL PIN BUCKET BITE PARTS DIAGRAM



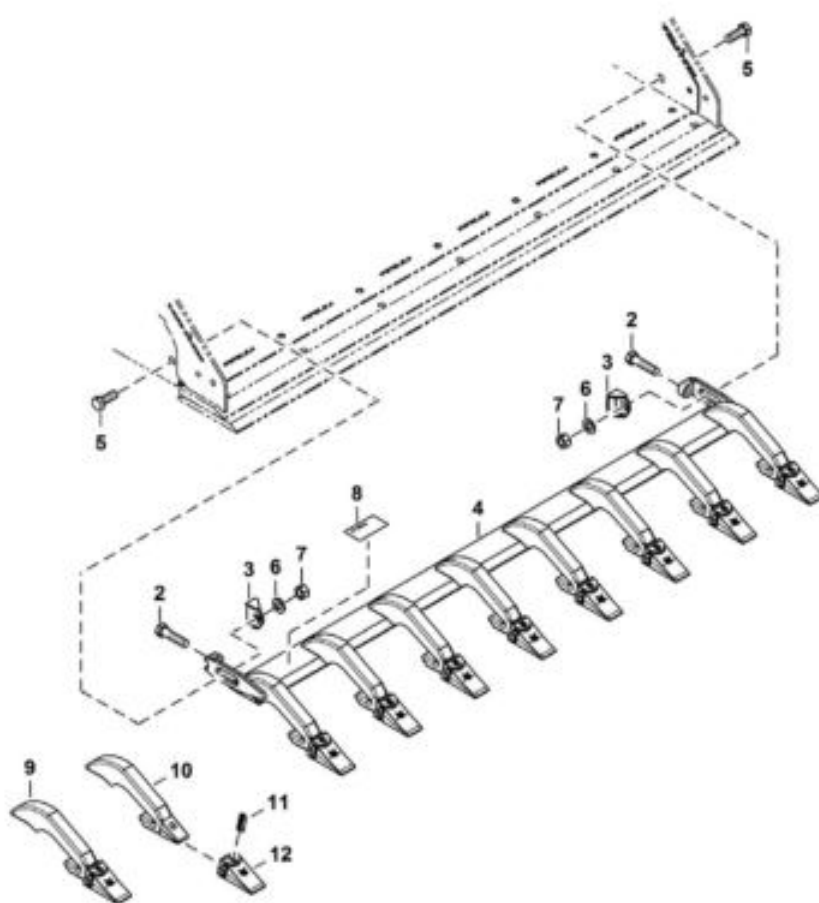
► Bucket Bite compatible with bolt-on edge installed

WORKS WITH BOLT-ON EDGE INSTALLED

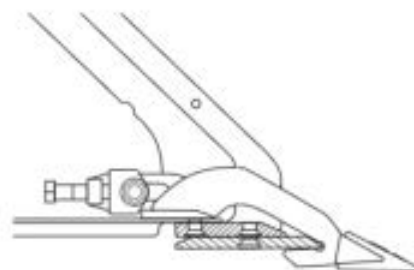
PART NUMBER	DESCRIPTION
7243845	KIT, BUCKET BITE BOLT-ON 1575 mm (62") – 7 teeth
7243844	KIT, BUCKET BITE BOLT-ON 1727 mm (68") – 8 teeth
7243843	KIT, BUCKET BITE BOLT-ON 1880 mm (74") – 9 teeth
7243842	KIT, BUCKET BITE BOLT-ON 2032 mm (80") – 9 teeth

REF.	PART NUMBER	QTY.	DESCRIPTION
2	6665905	2	BOLT 3.00" long
3	6958357	2	MOUNT, SLIDE
5	17C1232	2	BOLT
6	25E27	2	WASHER
7	61D12	2	NUT
9	7243999	x	TOOTH ASSY
11	6737326	x	FLEX PIN
12	7107319	x	TOOTH, BUCKET 10

BOLT ON EDGE COMPATIBLE BUCKET BITE PARTS DIAGRAM



FIT ON BUCKET WITH EDGE MOUNTED



PARTS

**MACHINE KITS
AND OPTIONS**



R-SERIES LOADERS KITS AND OPTIONS OVERVIEW

These machines have been redesigned from the ground up — but they are still hugely versatile, ready to meet the increasing demands of your tasks and work harder, with more comfort and legendary reliability. In true Bobcat fashion, there are also multiple aftermarket kits and options available for R-series loaders.

Do you plan to use various Bobcat attachments? You may need to equip your loader with the Attachment Control Kit. Do you need to protect your machine from damage during especially harsh operations? Check out the various protective kits. In the following table, we provide you with a complete overview of the kits and options available for R-series loaders. Then, on the pages that follow, there is detailed information for selected kits.



R-SERIES LOADERS KITS							
CATEGORY	KIT NAME	KIT DESCRIPTION	KIT PN	S66	T66	S76	T76
Attachments control	ATTACHMENT CONTROL KIT 7-PIN	Attachment Control Device (ACD 7-pin) Allows the use of Bobcat attachments that require the 7-pin connection.	7392835	●	●	●	●
	ATTACHMENT CONTROL KIT 14-PIN	Attachment Control Device (ACD 14-pin) Allows the use older Bobcat attachments that require the 14-pin connection.	7393140	●	●	●	●
Additional weight	AXLE WEIGHT KIT 81.3 kg (180 LBS)	Extra axle weight can be mounted either on front or rear axle. Installed on the front axle, it increases down force on attachments but does not increase the Rated Operating Capacity (ROC) of the loader. Installed on the rear axle, provides additional Rated Operating Capacity (ROC) of the loader.	7326081			●	
	90.7 kg (200 LBS) WEIGHT KIT	Adding extra counterweight kit to the loader can both increase the Rated Operating Capacity and re-balance the machine for better control when using certain large attachments.	7407734	●	●	●	●
	136.1 kg (300 LBS) WEIGHT KIT	Adding extra counterweight kit to the loader can both increase the Rated Operating Capacity and re-balance the machine for better control when using certain large attachments.	7407736			●	●
BobTach	POWER BOBTACH KIT	Power BobTach is turning the S76/T76 Bobcat loader into a versatile fleet by adding the possibility to quickly and easily change between bobcat attachments for even greater versatility and efficiency. Quickly swap non-hydraulic loader attachments without leaving your seat. For hydraulic Loader attachments, all you need to do is hook up the hoses after you have secured the attachment to your Loader.	7360584			●	●
	POWER BOBTACH KIT	Power BobTach is turning the S66/T66 Bobcat loader into a versatile fleet by adding the possibility to quickly and easily change between bobcat attachments for even greater versatility and efficiency. Quickly swap non-hydraulic loader attachments without leaving your seat. For hydraulic Loader attachments, all you need to do is hook up the hoses after you have secured the attachment to your Loader.	7388378	●	●		
Comfort	AIR RIDE SEAT KIT	Air suspension and heated seat offers increased operator comfort by adjusting to your weight and smoothing the effects of bumpy jobsites. Heating comes especially handy during the winter months with chilly shift starts.	7376275	●	●	●	●
	FLOOR PLATE KIT	The floor plate kit can be installed into the R-Series cab, so that it resembles the old M-Series cab with the central transmission channel, which can be used as a foot rest during operating and to making entry and exit easier.	7350308	●	●	●	●
Electrical	BEACON KIT	Increases visibility and safety with a rotating beacon light for Loaders. Kits include the harness, switch, and installation instructions.	7375338	●	●	●	●
	STROBE KIT	Increases visibility and safety with a flashing strobe light for Loaders. Kits include the harness, switch, and installation instructions.	7375339	●	●	●	●
	4-WAY FLASHER KIT	Ensure your loader is always visible with this 4-Way Flasher Lights warning accessory. Kits include the harness, switch, and installation instructions.	7375340	●	●	●	●
	REAR CAMERA KIT	Have your back covered and enhance operator comfort with the Rear-View Camera System for Bobcat loaders. This system provides an ergonomic and comfortable solution for your daily job.	7384581	●	●	●	●

R-SERIES LOADERS KITS							
CATEGORY	KIT NAME	KIT DESCRIPTION	KIT PN	S66	T66	S76	T76
Electrical	PREMIUM HEAD LIGHTS KIT	Upgrade your standard loaders Head Lights with the LED Premium Light Kit. LED lights provide increased light output combined with long lifetime, eliminating need for bulbs replacement and minimizing repairs or maintenance needs.	7387669	●	●	●	●
	SIDE LIGHTS KIT	Integrated LED side kit enhances lighting capabilities on the side of the machine, with bright, far-reaching illumination and a minimal power draw for long-lasting performance and higher light output. Bespoke design and ideal placement ensure protection against damage.	7387670	●	●	●	●
Protection	HOSE GUIDE KIT	The hose guide ensures a neat and tidy hose routing between the attachment and the machine. Keeping them in place to keep them protected from damage.	7407738	●	●	●	●
	REAR DOOR GUARD KIT	Durable metal guard protects the whole rear door of the loader and engine compartment from damage during applications requiring extra protection.	7348481	●	●	●	●
	REAR BUMPER KIT	The Rubber Rear Bumper kit protects the rear of the loader from damage due to scraping or contact with objects in confined work spaces.	7355791	●	●	●	●
	HEADLIGHT GUARD KIT	The Headlight Guard kit provides additional protection of the loader front worklights when working in applications where extra safeguarding is required.	7356719	●	●	●	●
	COUPLER GUARD KIT	The Coupler Guard Kit is a fully enclosed metal housing installed over the auxiliary quick couplers, protecting them from damage.	7360697	●	●	●	●
	TAIL LIGHT GUARD KIT	The Tail Light Guard kit provides additional protection of the loader rear tail lights when working in applications where extra safeguarding is required.	7360711	●	●	●	●
Special applications	4-POINT LIFT KIT	Four Point Lift Kit allows lifting the loader by crane and transporting it to otherwise inaccessible locations such as ships or closed silos.	7317266			●	●
			7385755	●	●		
	SINGLE POINT LIFT KIT	Single Point Lift Kit allows lifting the loader by crane and transporting it to otherwise inaccessible locations such as ships or closed silos. Bracket that attach to the main frame and loops over the cab roof allowing the machine to be lifted from a single point.	7320038			●	●
	REAR LEXAN WINDOW KIT	The Rear Lexan Window kit provides additional security for special applications. Made from impact-resistant, durable polycarbonate material which will not shatter like glass. Keeps operator safe from flying rocks and debris during brush clearing and mowing operations.	7376903	●	●	●	●
	SPECIAL APPLICATIONS DOOR KIT	Lexan Door Kit provides additional security for special applications. Made from impact-resistant, durable polycarbonate material which will not shatter like glass. Keeps operator safe from flying rocks and debris during brush clearing and mowing operations. Lexan door also helps keeping cab cooler in the summer and warmer in the winter thanks to the increased energy efficiency.	7376911	●	●	●	●
	ROAD KIT MANUAL CONTROLS	The Road Kit equips the loaders for travel and use on European Union roads. The kit contains a range of modifications and accessories: a beacon, front lights including turn indicators, mirrors, brake lights, a slow-motion vehicle triangle, licence light and other required components.	7391545	●		●	
ROAD KIT SELECTABLE JOYSTICK CONTROLS	7416258		●	●	●		
	7351356					●	

CYLINDER COVER KITS FOR EXCAVATORS

The new highly durable covers increase protection of vulnerable cylinders, especially in heavy conditions such as indoor demolition



CYLINDER COVER KITS FOR EXCAVATORS

As we continuously improve our product performance in all environments, we are pleased to introduce arm, boom and bucket cylinder covers for our 0–2 ton mini-excavators. This popular option, introduced as part of the optional factory demolition package, is now also available from aftermarket.

The new highly durable covers increase protection of vulnerable cylinders, especially in heavy conditions such as indoor demolition.



SPECIFICATION

- Increased arm, boom and bucket cylinders protection in heavy conditions, such as inside demolitions, minimizing cylinder damage due to contact during such operations.
- The kits contain highly durable arm, bucket and boom cylinder covers for Bobcat 1–2 ton mini-excavator models.
- Kits for the smallest 0–1 ton models contain only arm and bucket cylinder protection covers.
- The heavy-duty travel hoses guard is not part of the kits and is available separately. See corresponding part numbers in the table below.

MODEL COMPATIBILITY

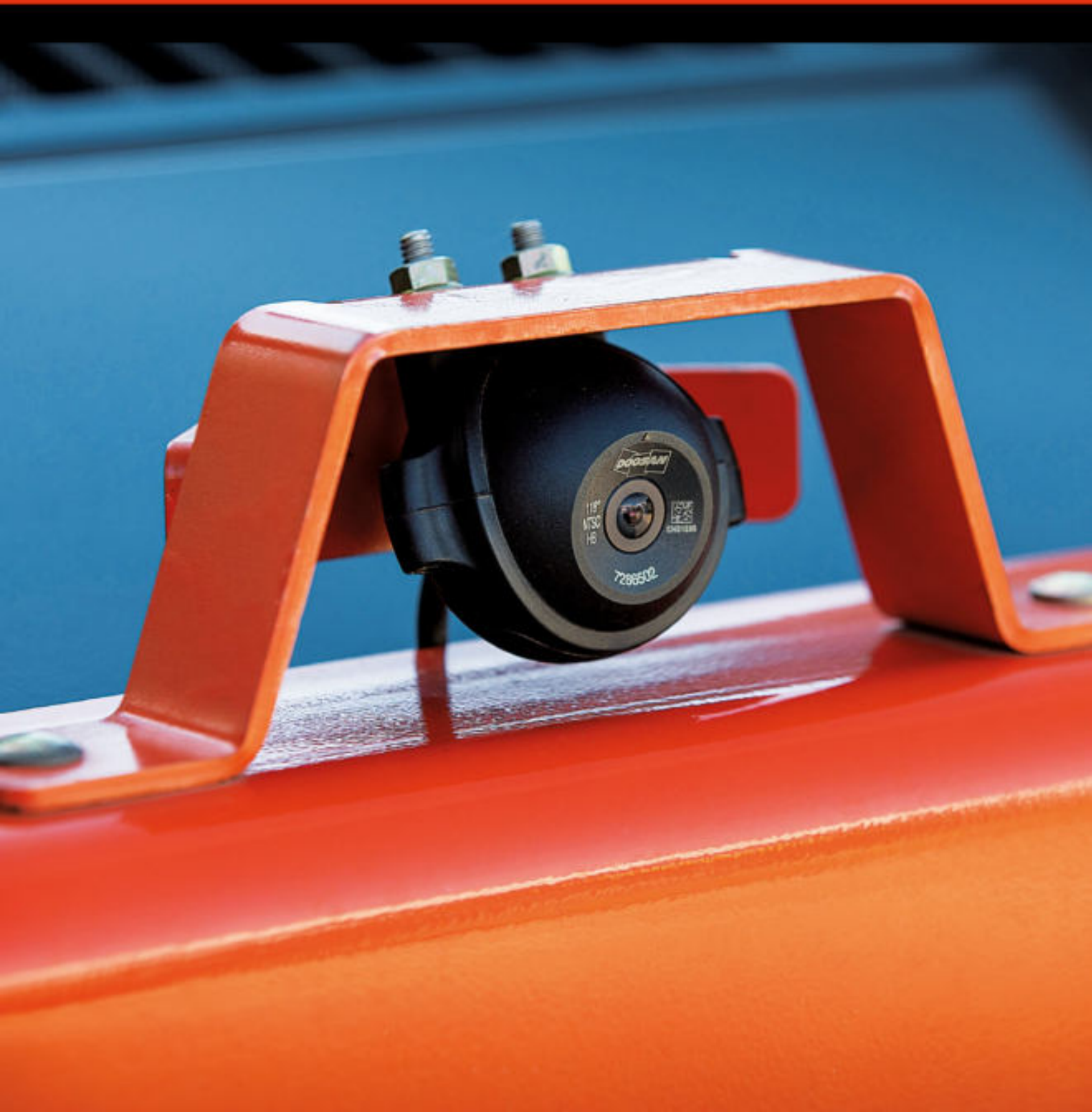
MODEL	KIT PART NUMBER	KIT CONTENT	CORRESPONDING HOSE GUARD KIT PART NUMBER
E08, E10Z, E10E	7387185	ARM AND BUCKET COVERS	7178940
E17, E17Z	7335808	ARM, BOOM AND BUCKET COVERS	
E19, E20Z	7353007	ARM, BOOM AND BUCKET COVERS	

DOWNLOAD
CYLINDER
COVER KITS
FOR EXCAVATORS
REFERENCE GUIDE



REAR CAMERA KIT

Have your back covered and enhance operator comfort with the rear-view camera system for Bobcat Loaders and Compact Excavators





REAR CAMERA KIT



Have your back covered and enhance operator comfort with the rear-view camera system for bobcat loaders and compact excavators. This system provides an ergonomic and comfortable solution for your daily job.

- Easy to use and install. Installing the camera kit is plug-and-play, with no change to machine's harnessing.
- The system is integrated with the machine, connected to cab harness for an automatic view and turns on with the machine ignition.
- Loaders kit contains separate 4.3" Color TFT LCD Display. Bobcat E85 Compact Excavator camera kit uses machine's built-in display.
- Multiple screen and camera settings to enhance the display image, the rear camera kit adds another option for viewing the rear of the machine.

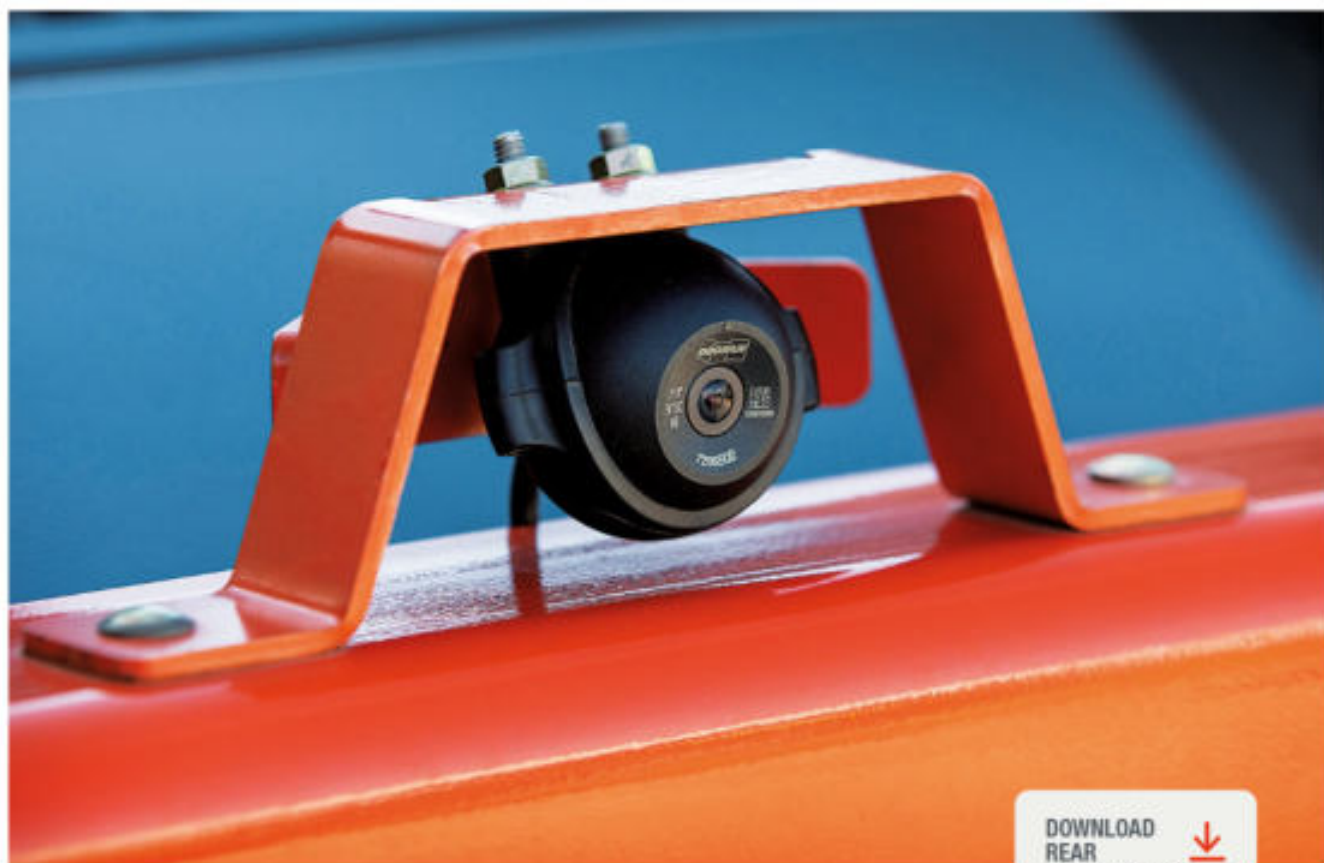
REAR CAMERA KIT – MODEL COMPATIBILITY					
MACHINE TYPE		MODEL COMPATIBILITY	KIT PART NUMBER	KIT CONTENT	
Loaders	SSL / CTL		A770, S450, S510, S530, S550, S570, S590, S630, S650, S770, S850, T450, T590, T650, T770, T870	7329670	<ul style="list-style-type: none"> • Camera • 4.3" Colour TFT LCD Display • Harnessing • Mounts • Mounting Hardware
	SSL / CTL		S66, S76, T66, T76	7384581	<ul style="list-style-type: none"> • Camera • Harnessing • Mounts • Mounting Hardware
Excavators	EXC		E34 – B3Y311001 & Above, E35z – B3Y411001 & Above, B4S511001 & Above, E42 – B4GM11001 & Above, E50 – B4GP11001 & Above, E85 – B48411001 & Above	7420941	<ul style="list-style-type: none"> • Camera • Harnessing • Mounts • Mounting Hardware



REAR CAMERA KIT – SCOPE OF DELIVERY

MOUNTING	DISPLAY	CAMERA	HARNESING
<p>Loaders:</p> <ul style="list-style-type: none"> The camera is secured in a mount on the top centre of the tailgate or dedicated tailgate mounting location. Mounts provided for camera prior to 5.5 tailgates. Use 5.5 mounting location when available. Display is mounted to the cab's upper cutouts. Use top window rhombus holes for mounting. 2 types of mounts for early small rhombus and new larger rhombus openings. <p>Excavators:</p> <ul style="list-style-type: none"> The camera is mounted on the right rear corner of the cab using dedicated mounting location. 	<p>Loaders:</p> <ul style="list-style-type: none"> 4.3" Colour TFT LCD display with LED backlit screen. Continuous view: works during forward and reverse motion of the machine. Auto-on with ignition activation. Brightness setting for day or night view. Manually adjustable colour, contrast, brightness and tint. IP×6 rated waterproof enclosure. Anti-glare, scratch resistant protected screen. Operating temperature range of -30°C to 80°C. <p>Excavators:</p> <ul style="list-style-type: none"> The system uses machine's built-in display. The touch display is required for this kit installation. 	<ul style="list-style-type: none"> Housing that is waterproof and dust proof. IP69K rating: camera can withstand a high-pressure cleaning with water. Shock and vibration resistant for usage in compact equipment applications including wind, dirt, rain, and rugged terrains. Operating temperature of -40°C to 85°C. The camera's internal heaters remove condensation, snow and ice. 	<ul style="list-style-type: none"> New harness connecting camera to display provided in kit. No changes to current production harnessing needed on base machine. The harness is routed along the cab harness and main harness to the tailgate.

Please note, the rear camera is not a substitute for proper work site management. The operator must be aware of his surroundings while operating and keep bystanders out of the work area.



DOWNLOAD
REAR
CAMERA KITS
REFERENCE
GUIDE



LIGHTS

It is not always bright. Working safely, productively and with precision early in the morning, in twilight or darkness requires quality lighting



LIGHTS

WORKING LIGHTS

It is not always bright. Working safely, productively and with precision early in the morning, in twilight or darkness requires quality lighting. On the following pages, we present a selection of Bobcat halogen replacement lights or optional LED lights. Modern LED lights offer increased light output combined with long lifetime, practically eliminating any need for repairs or maintenance.

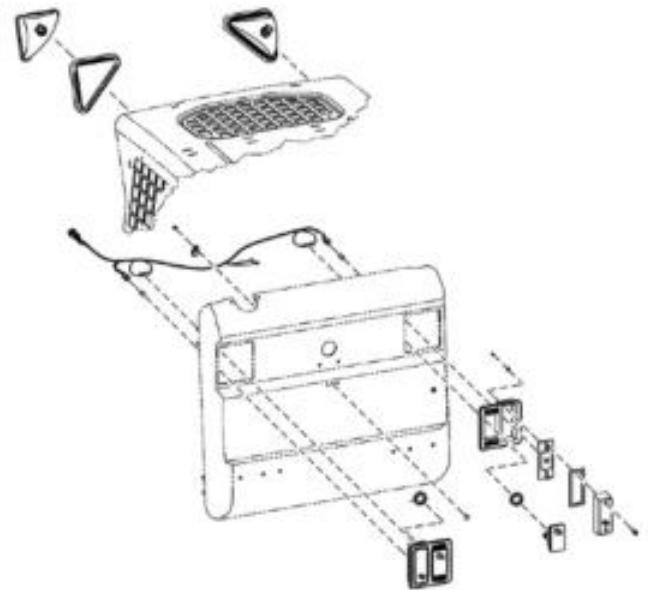


Front and Tail Lights for Loaders

Whether you are looking for a replacement for stock halogen lights damaged during demanding daily operation, or you would like to upgrade to the more powerful and long-lasting LED alternative, Bobcat has you covered. Here is our selection of front and rear halogen lights for Bobcat loaders. LED lights options are currently limited only to S100 machine. Other machine types are in preparation.



PICTURE DRAWING



CURRENT HALOGEN LIGHTS PN						
POSITION	USED ON MODELS EMEA	TYPE	POSITION	PART NUMBER	NOTE	
Front Worklight	S70	Halogen	Left & Right	6665728	Use Bulb 7352849	
			Left	6674400 or 6718042		
			Right	6674401 or 6718043		
	S100	LED	Left	7259523	Replaces PN 6674400 or 6718042 Does not include bezel. Please order together with 6674402	
			Right	7259524	Replaces PN 6674401 or 6718043 Does not include bezel. Please order together with 6674402	
	A770 S450; S510; S530; S550; S570; S590; S630; S650; S770; S850 T450; T590; T650; T770; T870	Halogen	Left	7251341	Use Bulbs 7008814 and 6675336	
			Right	7251340		
		S66, S76, T66, T76	LED Kit	Left & Right	7387669	Complete kit containing left and right LED lights, rubber seals and mounting hardware.
			LED	Left	7324239	
	Right	7324240				
Tail Light	S70	Halogen	Left & Right	6707789	Use Bulbs 6666568 and 6668009	
			Left	7308795		
			Right	7308794		
	A770 S100; S450; S510; S530; S550; S570; S590; S630; S650; S770; S850 T450; T590; T650; T770; T870	LED	Left	7322348		
			Right	7322349		
		S66, S76, T66, T76	Light Guard Kit	Left & Right	7360711	Complete kit containing left and right light guard and mounting hardware.

Optional Triangular LED Work lights

LED work lights for Bobcat are available in both right-hand (7259524) and left-hand (7259523) configurations. They replace Bobcat's stock halogen lamps (part numbers 6674400/6718042 and 6674401/6718043) and provide superior visibility, improved durability, and longevity.



SUPERIOR VISIBILITY

- 1,000 Effective Lumens of bright, white light.
- 30% more usable light compared to the stock halogen versions.
- Homogenous light distribution with no hot spots is easy on the eye and reduces eye fatigue.

DURABILITY

- Excellent resistance against shock & vibration often causing premature failure of bulb-based lights.
- Impact-resistant polycarbonate lens and housing.
- Solid electronics for maximum durability.

LONGEVITY

- Designed to last 20000 hours, compared to average 200 hours of halogen lights bulb life.
- No need for repairs or maintenance for years.

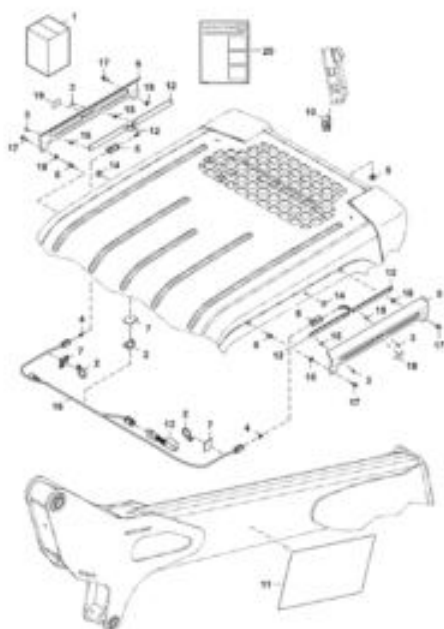
LED Side Lights Kit for Loaders

The LED side lighting kit further enhances lighting capabilities on the side of the machine, with bright, far-reaching illumination and a minimal power draw. The side lights are integrated with the machine design, with ideal placement and protection against damage. The LED Side Lights Kit delivers long-lasting performance and higher light output for better productivity.

- Fitted side lighting system for Bobcat Loaders.
- 800 lumens light output on each side improving side visibility.
- Includes wiring harness, switch, and all necessary hardware.
- Side lights can be turned on or off by pressing a switch inside the cab.

DESCRIPTION	USED ON MODELS	USED ON MODELS EMEA	PART NUMBER
LED Side Lights Kit for Bobcat Loaders	A770 S510; S530; S550; S570; S590; S595; S630; S650; S740; S750; S770; S850 T590; T595; T630; T650; T740; T750; T770; T870	A770 S510; S530; S550; S570; S590; S630; S650; S770; S850 T590; T650; T770; T870	7256348
	S64; S66; S76; S64 T66; T76	S66; S76; T66; T76	7387670

DIMENSIONS



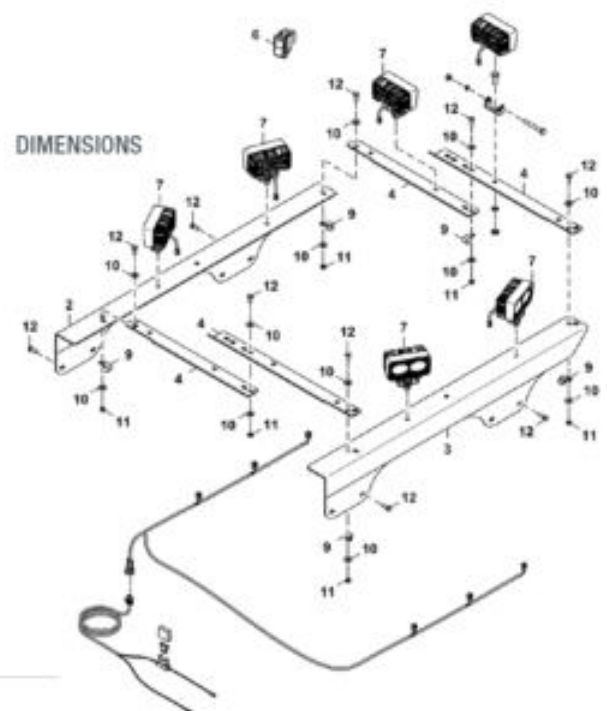
LED Light Bar for Loaders

Bobcat LED Lights kit for loaders will bring your night time jobs to the next level. Developed specifically for Bobcat loaders, this system combines the easiest installation, thanks to its fitted design and all-including content, with huge 10,800 lumens light output, illuminating the loader's surroundings for unmatched 360° visibility.

- Part Number 7275379.
- Custom light bar fits most Bobcat Loaders.
- Direct fit on M-Series, G-Series, and later model F-Series loaders.
- 6 lights for high visibility on dark job sites.
- Includes wiring harness, switch, and all necessary hardware.
- Each light can be individually aimed to suit individual job site conditions.

DESCRIPTION	USED ON MODELS EMEA	PART NUMBER
LED Light Bar	A770 S450; S510; S530; S550; S570; S590; S630; S650; S770; S850 T450; T590; T650; T770; T870	7275379

- LED Power: 20W (x6)
- Operating Voltage: 10–30V DC
- Material: Diecast aluminum housing
- Lens material: Polycarbonate
- Mounting Bracket: Stainless Steel
- Flood beam pattern (90 degree)
- Two 10w high intensity CREE LEDs in each light
- Current draw 1.7A to 12V, 0.85A to 24V each



PART DESCRIPTION

Lights are adjustable: Can rotate left and right and tilt up and down.

Loops along underside for cable management of wiring harness.

Extra bolt holes for hazard or strobe lights (sold separately).

Heavy-Duty, Powder-Coated Steel Construction.



Bolts fit factory holes on most Bobcat Skid Steer models. No drilling required to install.

IMPORTANT

10,800 LUMENS TOTAL OUTPUT PROVIDES 360° LIGHTING TO ILLUMINATE THE ENTIRE AREA AROUND LOADER AND AT A MUCH GREATER DISTANCE THAN STOCK HEADLIGHTS.

Work Lights for Excavators

Various LED lights for Bobcat excavators are available to complement the offer of stock halogen lights. Range of models with light output from 1,000 to 2,800 lumens and multiple sizes to suit different requirements and fit mounting locations on cabs or booms of Bobcat excavators.

TYPE	RECOMMENDED MOUNTING LOCATION	BRIGHTNESS (Lumens)	PART NUMBER	LIGHT SOURCE	DIMENSIONS L x W x H (mm)	NOTE
Halogen	Boom, Cab or Canopy		7222118	H9 bulb 12V65W; PN 7312410	83 x 85 x 113	Factory mounted halogen working light.
LED	Boom, Cab or Canopy	1800	7335876	3 LEDs; 20 Watt	83 x 74 x 111	Factory option LED working light.
	Boom, Cab or Canopy	1000	7412775	4x 3 Watt Cree LEDs; 12 Watt	72 x 40 x 64	To be used along with small (PN 7346002) or large (PN 7236811) Boom Light Housings Alternative to 7222118 or 7335876 lights.
	Boom, Cab or Canopy	1136	7412776	8x 1.5 Watt Philips LEDs; 12 Watt	128 x 47.5 x 89	To be used along with large Boom Light Housing (PN 7236811) Alternative to 6691410 lights.
	Boom, Cab or Canopy	1600	7412777	4x 5 Watt Cree LEDs; 20 Watt	75 x 79 x 78.5	To be used along with small (PN 7346002) or large (PN 7236811) Boom Light Housings Alternative to 7222118 or 7335876 lights.
	Cab or Canopy	2800	7412778	7x 5 Watt Cree LEDs; 35 Watt	111.5 x 69 x 111.5	To be used as a CAB or Canopy light. Alternative to 7222118 or 7335876 lights.

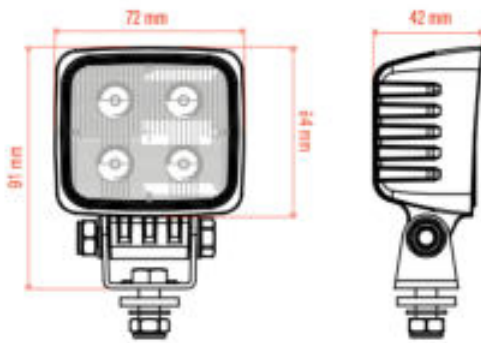
IP CODE	IP68
VOLTAGE	9–36 Volts
CABLE	20 cm cable with Bobcat H11 connector
LIGHT PATTERN	All LED lights use wide beam, close range illumination pattern



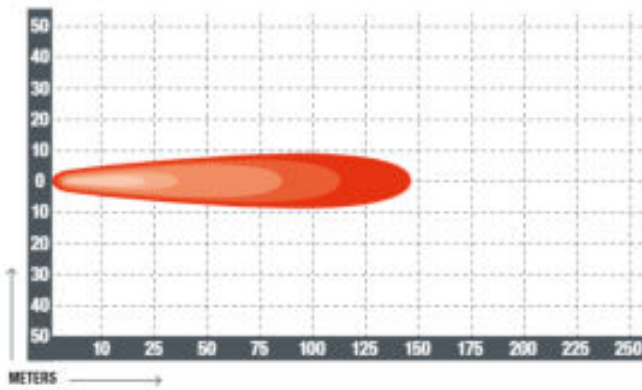
► **Led Light N/P 7412775**



DIMENSIONS



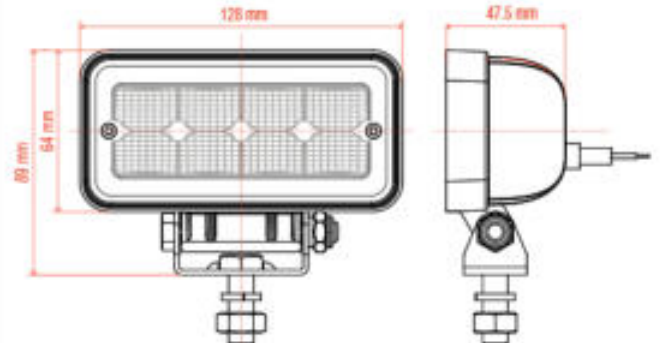
LUMINOSITY DENSITY 7412775



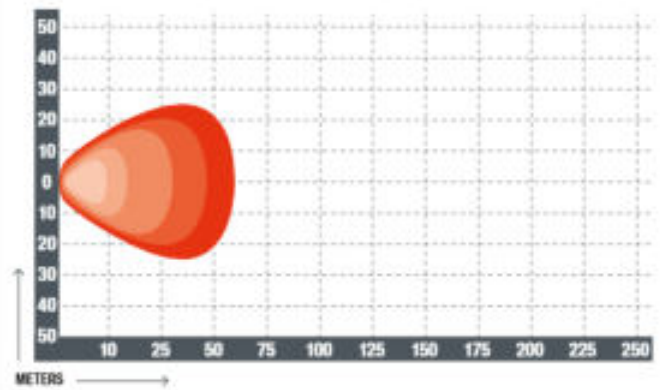
► **Led Light N/P 7412776**



DIMENSIONS



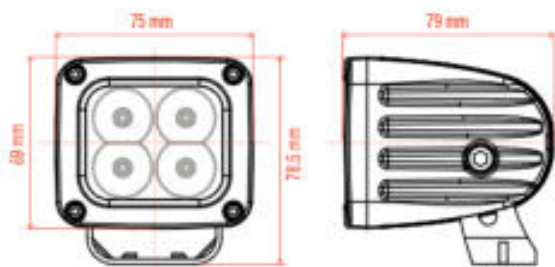
LUMINOSITY DENSITY 7412776



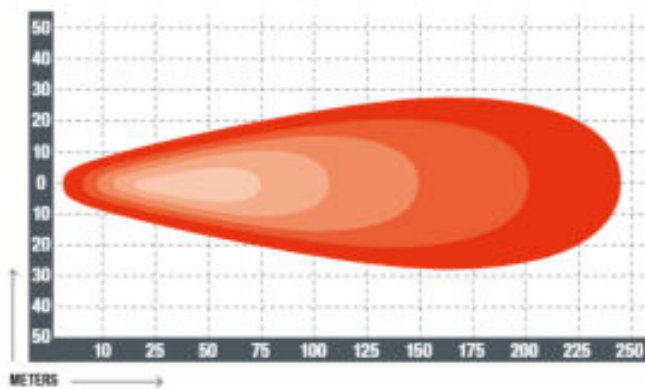
► **Led Light N/P 7412777**



DIMENSIONS



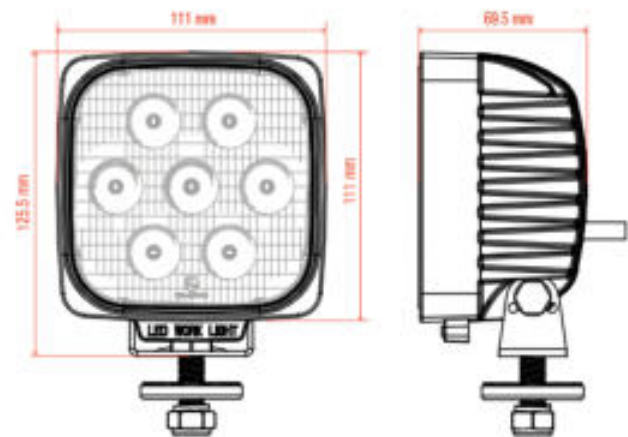
LUMINOSITY DENSITY 7412777



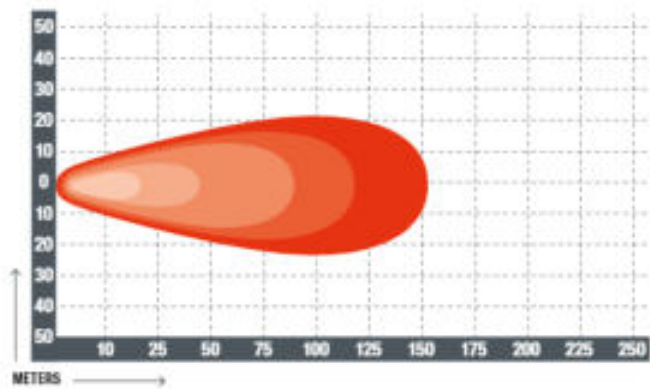
► **Led Light N/P 7412778**



DIMENSIONS



LUMINOSITY DENSITY 7412778



WORKING AND SAFETY LIGHTS KITS FOR EXCAVATORS

In addition to individual lights, Bobcat offers complete kits of working lights and safety beacons for excavators.

These kits all containing all mounting hardware, harnesses and installation instructions can be additionally installed on the machine's cab or canopy.

Right Hand Boom Light Kit offers additional light source to work in conjunction with left hand boom light already mounted on the machine, increasing working area illumination.



WORKING AND SAFETY LIGHTS KITS FOR EXCAVATORS								
MODEL	SERIAL NUMBER	BOOM	CAB KIT		CANOPY KIT		BEACON LIGHT KIT	STROBE LIGHT KIT
			FRONT	REAR	FRONT	REAR		
E08	A4BP11001 & Above	–	–	–	–	–	7164474	7164475
	B4PC11001 & Above	7371916 (LED)	–	–	–	–		
E10	A33P11001 & Above	–	–	–	–	–	7164474	7164475
	B4K911001 & Above	7371916 (LED)	–	–	–	–		
E10Z	B4PD11001 & Above	7371916 (LED)	–	–	–	–	7164474	7164475
E14	AHNM11001 & Above	–	7120687	–	–	–	7105014	7105013
E16	AHLL11001 & Above	–	7120687	–	–	–	7105014	7105013
E17	B27H11001 & Above	–	–	–	–	7266591 (Halogen)	7265558 (Cab)	7265559 (Cab)
	B4PJ11001 & Above	7379780 (Halogen)	7261981 (Halogen) 7379782 (LED)	7265557 (Halogen) 7371376 (LED)	7259191 (Halogen) 7379787 (LED)	7266591 (Halogen) 7379783 (LED)	7266592 (Canopy)	7266593 (Canopy)
	B4PR11001 & Above	7379781 (LED)						
E17z	B4AW11001 & Above	–	–	–	–	7266591 (Halogen)		
	B4PF11001 & Above	–	–	7371377 (Halogen) 7371378 (LED)	7259191 (Halogen) 7379787 (LED)	7266591 (Halogen) 7379783 (LED)	7266592 (Canopy)	7266593 (Canopy)
	B4PT11001 & Above	–	–	–	–	7266591 (Halogen)		
	B4ZM11001 & Above	7421895	7421138 (Halogen)	7421140 (Halogen)	7421142	7421144	7265558 (Cab) 7266592 (Canopy)	7265559 (Cab) 7266593 (Canopy)
E19	B3LA11001 & Above	–	–	7371378 (LED)	–	–	–	–
	B3LB11001 & Above	–	7261981 (Halogen) 7379782 (LED)	7265557 (Halogen) 7371376 (LED)	7259191 (Halogen) 7379787 (LED)	7266591	7265558 (Cab) 7266592 (Canopy)	7265559 (Cab) 7266593 (Canopy)
	B4PK11001 & Above	7379780 (Halogen) 7379781 (LED)	7261981 (Halogen) 7379782 (LED)	7265557 (Halogen) 7371376 (LED)	7259191 (Halogen) 7379787 (LED)	7379851 (Halogen) 7379784 (LED)	7266592 (Canopy)	7266593 (Canopy)
E20	AWRH11001 & Above	–	7261981 (Halogen) 7379782 (LED)	7371377 (Halogen) 7371378 (LED)	7259191 (Halogen) 7379787 (LED)	7266591	7265558 (Cab) 7266592 (Canopy)	7265559 (Cab) 7266593 (Canopy)
	B3BL11001 & Above	–						
E20z	B4PH11001 & Above	–	7261981 (Halogen) 7379782 (LED)	7371377 (Halogen) 7371378 (LED)	7259191 (Halogen) 7379787 (LED)	7266591	7265558 (Cab) 7266592 (Canopy)	7265559 (Cab) 7266593 (Canopy)
	B4YC11001 & Above	–	7421138 (Halogen)	7421140 (Halogen)	7421142	7421144		
E25	AB8B11001 & Above	–	7241225	–	–	–	7172554	7172974
E26	ACRA11001 & Above	7241205	7241225 (Complete Front and Rear Halogen)		7241226 (Complete Front and Rear Halogen)		7172554	7172974
	A.JRY11001 & Above							
	B33211001 & Above							
	B3JE11001 & Above							
	B4B811001 & Above	–	–	7351335 (LED)	7351332 (Halogen) 7351333 (LED)	7351336 (Halogen) 7351337 (LED)	7351338 (Cab) 7351339 (Canopy)	– 7387487 (Cab) 7387488 (Canopy)
B4S911001 & Above	–	–						
E27	B4BA11001 & Above	–	–	7351335 (LED)	7351332 (Halogen) 7351333 (LED)	7351336 (Halogen) 7351337 (LED)	7351338 (Cab) 7351339 (Canopy)	–
	B4R811001 & Above	–	–					

WORKING AND SAFETY LIGHTS KITS FOR EXCAVATORS								
MODEL	SERIAL NUMBER	BOOM	CAB KIT		CANOPY KIT		BEACON LIGHT KIT	STROBE LIGHT KIT
			FRONT	REAR	FRONT	REAR		
E27Z	B4B911001 & Above	-	-	7351335 (LED)	7351332 (Halogen)	7351336 (Halogen)	7351338 (Cab) 7351339 (Canopy)	-
	B4R711001 & Above				7351333 (LED)	7351337 (LED)		
E32	A94H11001 & Above	7241205	7241225 (Complete Front and Rear Halogen)	7241226 (Complete Front and Rear Halogen)	7241226 (Complete Front and Rear Halogen)	7172554	7172974	
	AC2N11001 & Above							
	B2VV11001 & Above							
	B3CS11001 & Above							
	B3JF11001 & Above							
B3K911001 & Above								
E32i	AUYJ11001 & Above	7241205	7241225 (Complete Front and Rear Halogen)	7241226 (Complete Front and Rear Halogen)	7241226 (Complete Front and Rear Halogen)	7172554	7172974	
	B3Y111001 & Above							
E34	B3Y311001 & Above	7241205	-	7351335 (LED)	7351332 (Halogen) 7351333 (LED)	7351336 (Halogen) 7351337 (LED)	7351338 (Cab) 7351339 (Canopy)	-
E35	A93K11001 & Above	7241205	7241225 (Complete Front and Rear Halogen)	7241226 (Complete Front and Rear Halogen)	7241226 (Complete Front and Rear Halogen)	7172554	7172974	
	AC2P11001 & Above							
	AR1K11001 & Above							
	B3GR11001 & Above							
	B3K811001 & Above							
B3WZ11001 & Above	-							
E35i	AUYM11001 & Above	7241205	7241225 (Complete Front and Rear Halogen)	7241226 (Complete Front and Rear Halogen)	7241226 (Complete Front and Rear Halogen)	7172554	7172974	
	B3Y211001 & Above							
E35Z	B3Y411001 & Above	7241205	-	7351335 (LED)	7351332 (Halogen)	7351336 (Halogen)	7351338 (Cab) 7351339 (Canopy)	-
	B4S511001 & Above				7351333 (LED)	7351337 (LED)		
E42	AG3411001 & Above	7241205	7241225 (Complete Front and Rear Halogen)	7241226 (Complete Front and Rear Halogen)	7241226 (Complete Front and Rear Halogen)	7172554	7172974	
	B2VW11001 & Above				-			
	B4GM11001 & Above							
E45	AG3G11001 & Above	7241205	7241225 (Complete Front and Rear Halogen)	7241226 (Complete Front and Rear Halogen)	7241226 (Complete Front and Rear Halogen)	7172554	7172974	
	AHHC11001 & Above							
	B2VY11001 & Above							
	B3NM11001 & Above							
B3NR11001 & Above								
E50	AG3N11001 & Above	7241205	7241225 (Complete Front and Rear Halogen)	7241226 (Complete Front and Rear Halogen)	7241226 (Complete Front and Rear Halogen)	7172554	7172974	
	AHHE11001 & Above							
	AJ1811001 & Above				7325151 (Complete Front and Rear Halogen)			
	B3NN11001 & Above				-			
	B3NS11001 & Above							
B4GP11001 & Above								
E55	AJ1911001 & Above	7241205	7241225 (Complete Front and Rear Halogen)	7241226 (Complete Front and Rear Halogen)	7241226 (Complete Front and Rear Halogen)	7172554	7172974	
	ARWM11001 & Above							
	ASW311001 & Above				7325151 (Complete Front and Rear Halogen)			
	B3NP11001 & Above							
B3NT11001 & Above								
E55W	AEFB11001 & Above	-	-	-	-	-	7174742	7174734
E60	AET811001 & Above	-	-	-	-	-	7174742	7174734
E80	AET311001 & Above	-	-	-	-	-	7174742	7174734

Brackets, harnesses and all other mounting hardware needed for the kits installation are included in the package.

MACHINE IQ TELEMATIC KITS

Maximize uptime with retro-fit telematic kits, giving you the full Bobcat Machine IQ® wireless communications experience



MACHINE IQ TELEMATIC KITS

TOUGH BECOMES SMART. Maximize uptime with retro-fit telematic kits, giving you the full Bobcat® Machine IQ wireless communications experience, even for machines not equipped with telematic from factory.

- ▶ FULL FUNCTIONALITY OF FACTORY-INSTALLED TELEMATIC SOLUTION.
- ▶ EASY INSTALLATION IN LESS THAN AN HOUR, AND PLUG-AND-PLAY CONNECTION.

- ▶ NO ADDITIONAL COSTS OR SUBSCRIPTION FEES FOR DEALER'S PORTAL USAGE OR OTHER RELATED SERVICES. KIT PRICE INCLUDES 3 YEARS OF SERVICE.



**CRITICAL
CODE
AWARENESS**



**REGULAR
MAINTENANCE
PLANNING**



**THEFT
MONITORING**



TYPE SPECIFICATION

LIST OF SUPPORTED COUNTRIES

Albania	Finland	Latvia	Portugal
Austria	France	Liechtenstein	Reunion
Belgium	French Guiana	Lithuania	Romania
Bosnia And Herzegovina	Germany	Luxembourg	Serbia
Bulgaria	Greece	Malta	Slovakia
Croatia	Greenland	Monaco	Slovenia
Cyprus	Hungary	Montenegro	Spain
Czech Republic	Ireland	Netherlands	Sweden
Denmark	Italy	Norway	Switzerland
Estonia	Israel	Poland	United Kingdom
Faroe Islands	Kosovo		



PRODUCT	MODEL	SN PREFIX	SN RANGE	KIT NUMBER
MX	E17	B4PJ	B4PJ11001 & Above	7401251
	E17Z	B4PF	B4PF11001 & Above	
	E19	B4PK	B4PK11001 & Above	
	E20Z	B4PH	B4PH11001 & Above	
	E25	AB8B	AB8B12001 & Above	7387989
	E26	ACRA	ACRA13001 & Above	
	E26	B4B8	B4B811001 & Above	
	E27	B4BA	B4BA11001 & Above	
	E27Z	B4B9	B4B911001 & Above	7365298
	E32	AC2N	AC2N15001 & Above	
		B3CS	B3CS11001 & Above	
	E34	B3Y3	B3Y311001 & Above	
	E35	AC2P	AC2P15001 & Above	
		B3GR	B3GR11001 & Above	
	E35Z	B3Y4	B3Y411001 & Above	
	E37	B4S6	B4S611001 & Above	
	E45	AHHC	AHHC13001 & Above	
		B3NR	B3NR11001 & Above	
	E50	AHHE	AHHE14001 & Above	
		B3NS	B3NS11001 & Above	
E55	ASW3	ASW312001 & Above		
	B3NT	B3NT11001 & Above		



PRODUCT	MODEL	SN PREFIX	SN RANGE	KIT NUMBER
CTL	T450	AUVP	AUVP13181 & Above	7374904
		B1EM	B1EM11155 & Above	
		B4J6	B4J611001 & Above	
	T590	A3NR	A3NR17265 & Above	
		B3Z7	B3Z711097 & Above	
		B3ZA	B3ZA11022 & Above	
		B4KV	B4KV11001 & Above	
	T650	A3P0	A3P020100 & Above	
		A3P1	A3P114077 & Above	
	T770	A3P8	A3P816071 & Above	
		A3P9	A3P913055 & Above	
		B3BW	B3BW12256 & Above	
	T870	A3PG	A3PG13597 & Above	
		B3BZ	B3BZ11142 & Above	
	A770	A3P6	A3P612925 & Above	
		A3P7	A3P712880 & Above	
		B3BU	B3BU11160 & Above	
	S450	AV9V	AV9V12125 & Above	
		B1E6	B1E616994 & Above	
		B4J7	B4J711001 & Above	
S510	AZN4	AZN411600 & Above		
	AZN5	AZN511910 & Above		
	B4JB	B4JB11001 & Above		
S530	AZN6	AZN611128 & Above		
	AZN7	AZN712943 & Above		
	B4KA	B4KA11001 & Above		
S550	AZN8	AZN811364 & Above		
	AZN9	AZN911254 & Above		
	B3GY	B3GY11126 & Above		
S570	AZNB	AZNB11170 & Above		
	AZNC	AZNC11452 & Above		
	B3GZ	B3GZ11174 & Above		
S590	AZND	AZND11088 & Above		
	AZNE	AZNE11154 & Above		
	B3H1	B3H111068 & Above		
S630	B4TP	B4TP11001 & Above		
	A3NT	A3NT18588 & Above		
S650	A3NU	A3NU13060 & Above		
	A3NV	A3NV25640 & Above		
S770	A3NW	A3NW13931 & Above		
	A3P4	A3P414030 & Above		
	A3P5	A3P513088 & Above		
S850	B3BV	B3BV11290 & Above		
	ACS7	ACS713330 & Above		
	ACSL	ACSL13015 & Above		
	B3BY	B3BY11138 & Above		

BOB-TACH ATTACHMENT SYSTEMS

Turn Bobcat loader into a versatile fleet by adding Bobcat attachments



BOB-TACH

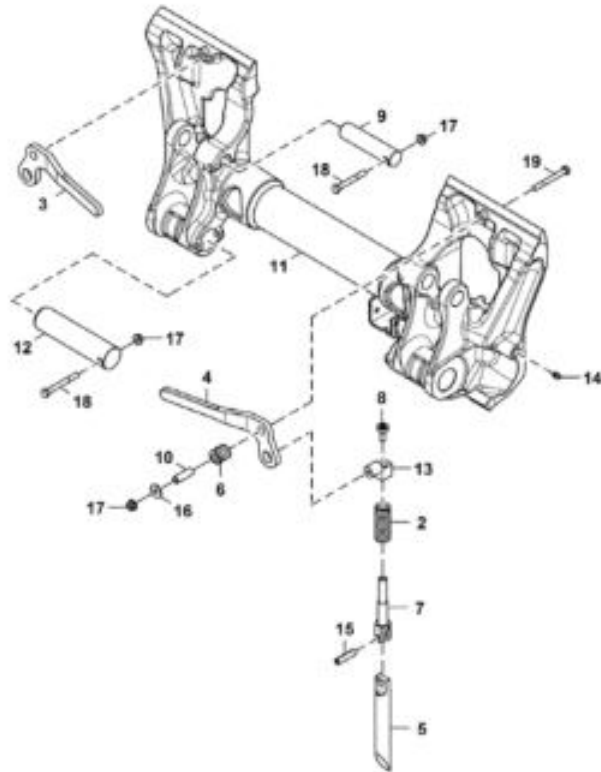
ATTACHMENT SYSTEMS

Turn Bobcat loader into a versatile fleet by adding Bobcat attachments. Attachments can be changed out quickly and easily using the Bob-Tach or Power Bob-Tach mounting systems.

Complete Bob-Tach Systems and Bob-Tach Lever Repair Kits

Standard Bob-Tach mounting is proven and time-tested system for quick and easy attachments change. Line the loader's mounting plate to the attachment, engage the attachment wedges, and lower levers until they're locked securely in place.

Lever repair Kits contains all the items needed to repair or replace the Bob-Tach lever assembly under one product number. It is the easiest, fastest and cost effective solution.



BOB-TACH SYSTEMS AND LEVER REPAIR KITS

MODELS	COMPLETE BOB-TACH SYSTEM	CORRESPONDING LEVER KITS	
		LEFT HAND	RIGHT HAND
440, 443, 450, 453	6529478	-	-
463, MT50, MT52, MT55, S70	6727229	-	-
553	6732079	-	-
643, 645, 743, 751, 753, 763, 773, S130, T140	6709215	6724776	6724775
773, S150, S160, S175, S185, S205, T180 T190	7143508	-	-
843	6562394	6579433	6579434
853	6577986	6724776	6724775
863, 864, A220, T200	6718752	-	-
963	6809970	-	-
S100, T110	7239383	-	-
A300, S220, S250, S300, S330, T250, T300, T320	6729029	6724776	6724775
S450, T450	7196775	7427784	7427785
S510, S530, S550, S570, S590, T550, T590	7148033	-	-
S510, S530, S550, S570, S590, T550, T590	7276373	-	-
A770, S630, S650, S770, T590, T650, T770	7128962	7372230	7372229
S850, T870	7128005	-	-
S66, S76, T66, T76	7317852	7399871	7399872

Power Bob-Tach – Quick Attachments Change

Minimize the time needed to switch attachments with fast and easy Power Bob-Tach system. With the flip of a dash panel switch, Power Bob-Tach mounting system engages the Bob-Tach wedges into the attachment you wish to use.

Change Bobcat non-hydraulic attachments in under a minute without leaving operators seat. For hydraulic loader attachments, all you need to do is hook up the hoses after you have secured the attachment to your compact loader.



SEE
POWER
BOB-TACH
IN ACTION

POWER BOB-TACH KITS		
MODELS	SERIAL NUMBERS	POWER BOB-TACH KIT
873	Please check compatible SN ranges in OPC	6735489
S130, T140		7102101
S130, T140		7107387
S150, S160, T180		6736786
S150, S160, T180		7102867
S175, S185, S205, T190		7102865
S450, T450		7365619
A770, S510, S530, S550, S590, S630, S650, S770, S850, T590, T650, T770, T870		7365207
S66, T66		7388378
S76, T76		7360584

The system design also makes it easy to see whether the wedges are up or down and securely locked. Large levers are also possible to use manually if needed.

See for yourself comparison to main competitors' quick tach system and witness the superiority of original Bobcat Power Bob-Tach system.





WSSL20



Bobcat

Bobcat

SERVICE



SERVICES

The world around us is changing rapidly, and so are our customers. Gradually, but persistently, they specialize in their business and expect “everything else / everything around” to be provided by their subcontractors. It is no longer enough to just supply (or install) a spare part according to their order, but it is necessary to proactively come up with recommendations that will correspond to the actual use of their machines, be able to plan maintenance to minimize downtime, continuously monitor machines and offer possible corrective interventions or guarantee operating costs for several years in advance.

Thanks to such SERVICES, customers can better manage their costs and, at the same time, the cooperation with their service provider. So, the Bobcat dealer moves to a new, significantly higher, level. As a result, the dealer gets more information and can better plan resources and optimize his offer. It's fully a win-win situation!

ON THE FOLLOWING PAGES, WE PRESENT THE RANGE OF BOBCAT SERVICES THAT ARE NOW AVAILABLE.



PROTECTION PLUS

Protection Plus Extended Warranty is a customer tool that aids in managing risk exposure and controlling your repair expenses

SERVICE TO SELL

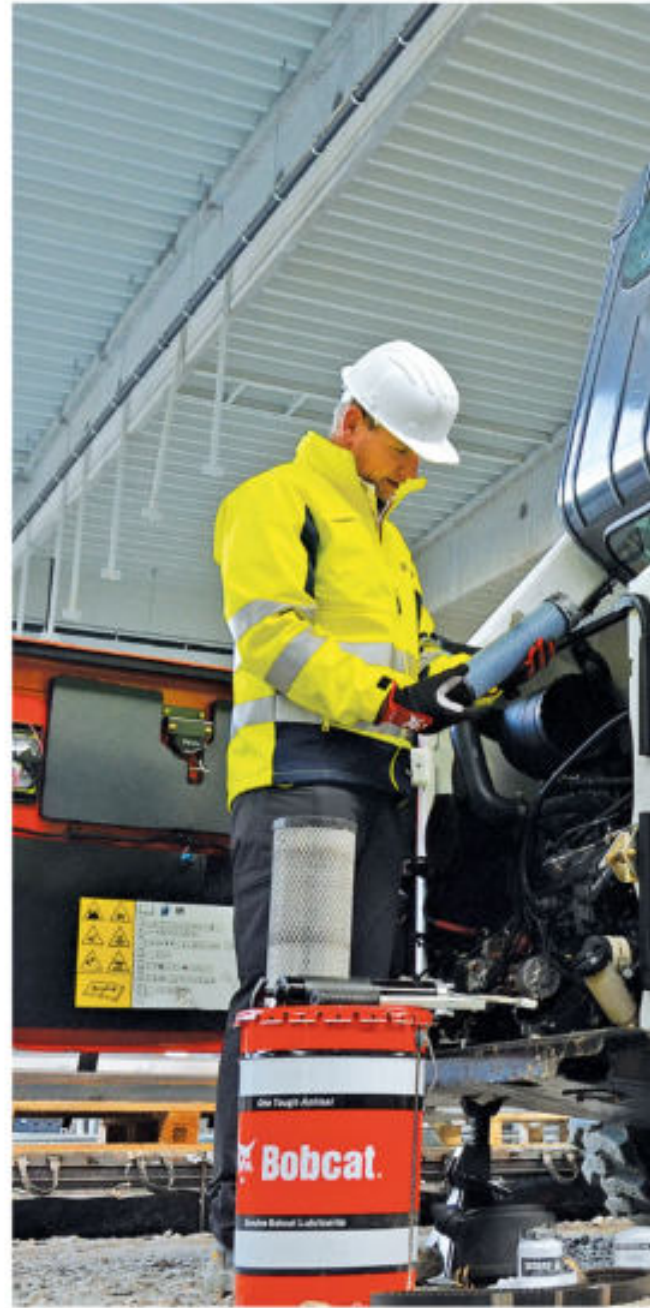


 **Bobcat.**
PROTECTION
PLUS  *Extended Warranty*

PROTECTION PLUS

- ▶ MANAGE COST OF OWNERSHIP AND AVOID UNPLANNED BILLS
- ▶ VARIANTS FROM 1 TO 4 YEARS EXTENSION AND FROM 500 TO 1500 HOURS / YEAR
- ▶ SAME LEVEL OF COVERAGE AS THE STANDARD MACHINE WARRANTY

 **Bobcat.**
PROTECTION PLUS
Extended Warranty





RISK MANAGEMENT

Protection Plus Extended Warranty is a customer tool that aids in managing risk exposure and controlling your repair expenses. Rather than spending time and money on your own repairs, just call your local Bobcat dealer. Protection Plus extended warranties are honored at any dealership in EMEA.

PEACE OF MIND

For a small investment, you are able to achieve peace of mind knowing your Bobcat machines are protected from any unforeseen repair costs. This extended sense of security allows you to focus on maximizing your production instead.

BOBCAT BACKED

Protection Plus is a manufacturer's offer. You are assured that all Bobcat knowledge, tools and processes are ready to serve all of your warranty needs.

NO DEDUCTIBLE

It's not insurance, it's Protection Plus. All warrantable repair work (parts and labor) are covered with no deductible required.





HIGHER RESALE VALUE

Valid or expired, a machine with Protection Plus extended warranty retains its high resale value thanks to superior care, maintenance and repairs provided by authorized workshops during the machine's entire lifetime.

TRANSPARENCY AND CONTINUITY

No surprises – coverage is identical to standard machine warranty. So, there are NO additional limits or conditions. The machine is extensively protected during the whole Protection Plus period.

TRANSFERABILITY

Protection Plus warranty coverage is transferable to a new owner if you sell the machine before your coverage term expired.

FLEXIBILITY

A lot or a little, often or occasionally. It doesn't matter how busy your machine is. Bobcat offers multiple combinations of durations and annual operating hours and lets you choose which variant fits your needs the best.



OVERVIEW OF THE STANDARD MACHINE WARRANTY AND THE PROTECTION PLUS OFFER



AVAILABLE TOOLS

REFERENCE GUIDE

Brief introduction and overview of offers.

FROM 2 TO 5 YEARS, FROM 2000 TO 6000 OPERATING HOURS, CHOOSE

SKID STEER LOADERS						
MACHINE WARRANTY + PROTECTION PLUS						
	Duration					
		1 year	2 years	3 years	4 years	5 years
Operating hours	2000	●	●	●	●	–
	3000	–	●	●	●	●
	4000	–	–	●	●	●
	5000	–	–	–	●	●
	6000	–	–	–	–	●

COMPACT TRACK LOADERS						
MACHINE WARRANTY + PROTECTION PLUS						
	Duration					
		1 year	2 years	3 years	4 years	5 years
Operating hours	2000	●	●	●	●	–
	3000	–	●	●	●	●
	4000	–	–	●	●	●
	5000	–	–	–	●	●
	6000	–	–	–	–	●

COMPACT EXCAVATORS						
MACHINE WARRANTY + PROTECTION PLUS						
	Duration					
		1 year	2 years	3 years	4 years	5 years
Operating hours	2000	●	●	●	●	–
	3000	–	●	●	●	●
	4000	–	–	●	●	●
	5000	–	–	–	●	●
	6000	–	–	–	–	●

ROTARY TELESCOPIC HANDLERS						
MACHINE WARRANTY + PROTECTION PLUS						
	Duration					
		1 year	2 years	3 years	4 years	5 years
Operating hours	2000	●	●	●	–	–
	3000	–	–	●	●	–
	4000	–	–	●	●	–
	5000	–	–	–	●	–
	6000	–	–	–	–	–

TELEHANDLERS						
MACHINE WARRANTY + PROTECTION PLUS						
	Duration					
		1 year	2 years	3 years	4 years	5 years
Operating hours	2000	●	●	●	–	–
	3000	●	●	●	●	●
	4000	–	–	●	●	●
	5000	–	–	–	●	●
	6000	–	–	–	–	●

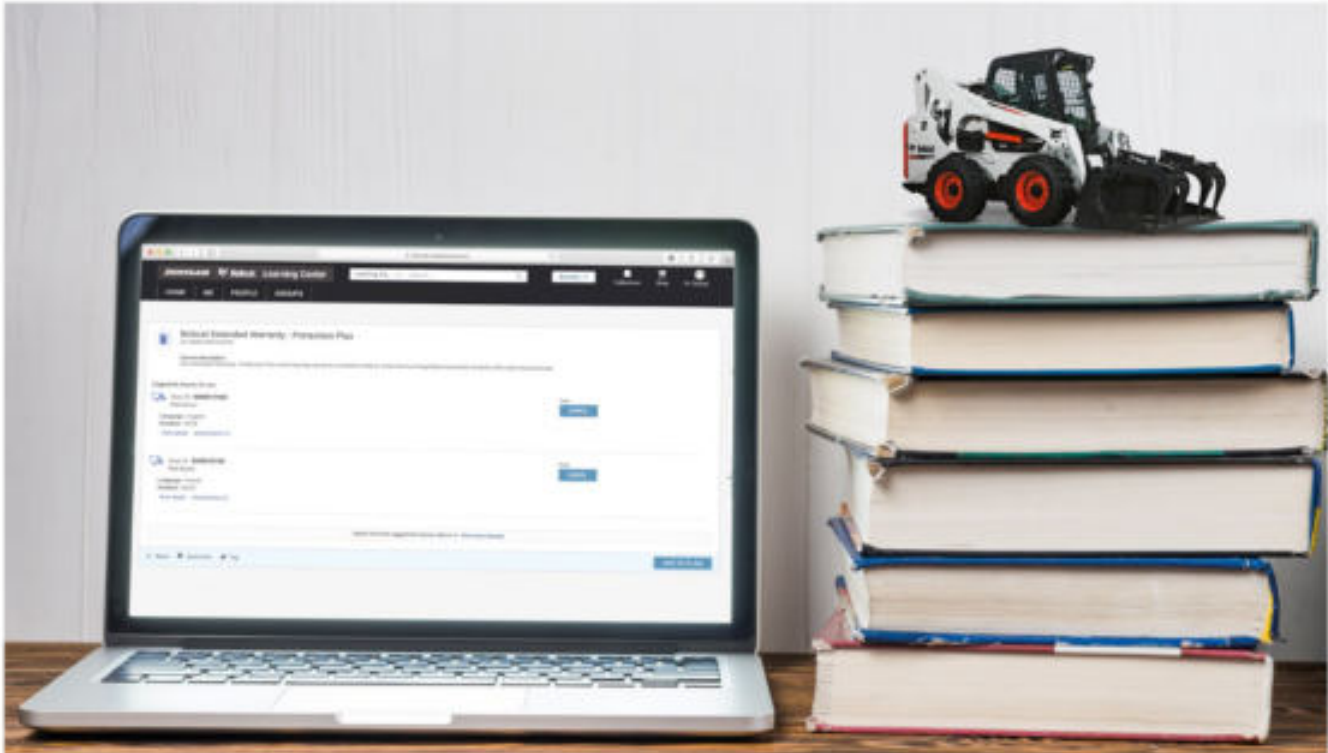
- Standard Machine Warranty
- Optional variants of Protection Plus
- Not available



The image shows a promotional graphic for the 'PROTECTION PLUS REFERENCE GUIDE'. It features a QR code on the right side and a red arrow pointing towards the bottom right corner of the graphic area. The brochure itself is tilted and shows various tables and text related to the warranty and protection plans.

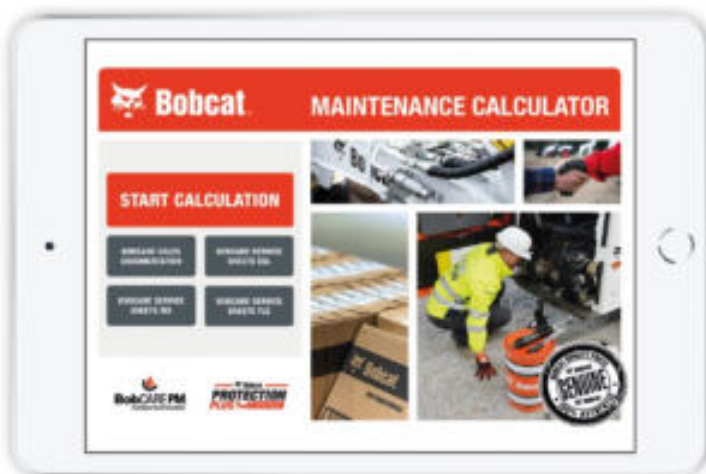
E-LEARNING

Overview of offer together with tips on how to deal with 'common prejudices'. The strengths of Bobcat's offer, and what can be highlighted when communicating with customers. The course is complemented by the basic rules of extended warranties in the areas of ordering, coverage, limitations.



MAINTENANCE CALCULATOR

Indicate price of Protection Plus (extended warranty) for selected machine, duration and number of operation hours.



MAINTENANCE CALCULATOR

All Bobcat recommended maintenance information available in electronic format – making it easy to combine this info with the dealer's local settings. Accurate, uniform and localized at the same time.

SERVICE TO SELL

START CALCULATION

BOBCARE SALES
DOCUMENTATION

BOBCARE SERVICE
SHEETS SSL

BOBCARE SERVICE
SHEETS MX

BOBCARE SERVICE
SHEETS TLS



BobCARE PM.
PLANNED MAINTENANCE

Bobcat
PROTECTION PLUS
Extended Warranty

REPLACE

DRAIN

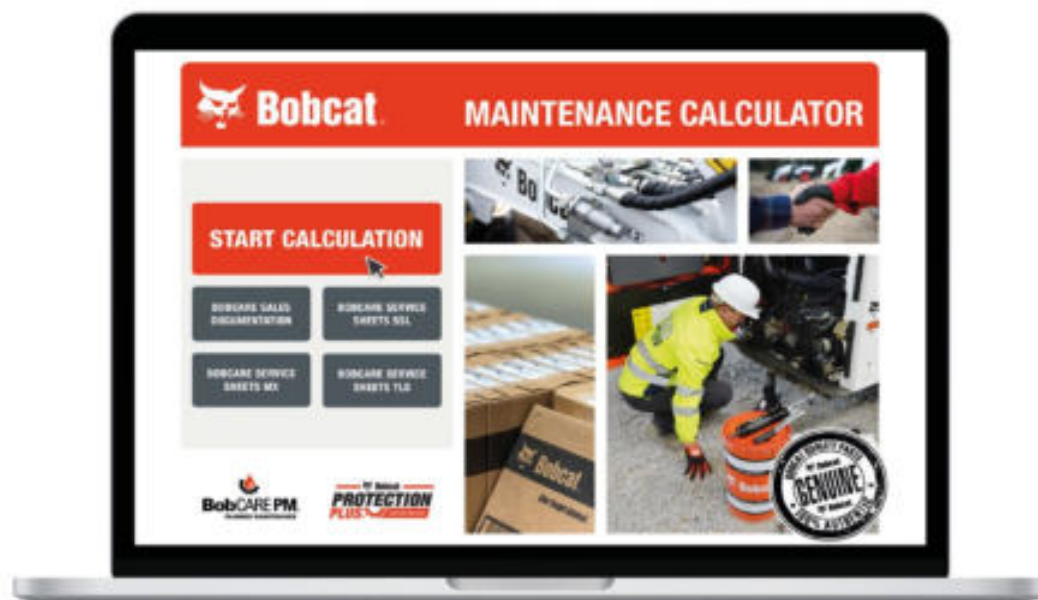
REPLACE

MAINTENANCE CALCULATOR

▶ SIMPLIFY CALCULATION OF MAINTENANCE AGREEMENT IN TWO STEPS

▶ MAKE SINGLE MAINTENANCE QUOTE IN 5 SECONDS

▶ MAINTENANCE OVERVIEW EASILY ACCESSIBLE AT ANY TIME



All Bobcat recommended maintenance information available in electronic format – making it easy to combine this info with the dealer's local settings. Accurate, uniform and localized at the same time.

1 LOCALIZED

The maintenance calculator offers a wide range of options to adapt the calculations to local conditions. Local currency, custom hourly rate, dealer's logo and name, discounts and other spare and fluid price coefficients. All of this information stays at the dealer and is automatically used when upgrading to new versions.

Economical Dealer Data

Modify

Private Dealer Data

Modify

2 LANGUAGES

The basic language is English, but at the same time the maintenance calculator is available in many other languages. Others can be added as required by dealers.

Language

English	▼
Czech	
Dutch	
English	
Finnish	
French	
German	

3 EASY TO USE

Select the machine, duration and number of operating hours. 4 clicks and the price of the maintenance agreement is ready – including a detailed breakdown of what it includes.

Maintenance Contract Costs Summary

	Total Price	Price per hour	Price per month
Total Maintenance Price	5 388 €	1,80 €	149,65 €
Warranty Extension	300 €	0,10 €	8,33 €
Optional	1 000 €	0,33 €	27,78 €
Optional	0 €	0,00 €	0,00 €
Total Price	6 688 €	2,23 €	185,76 €

4

FLEXIBLE

The customer has full control over duration and number of operating hours. So, he can adjust the offer exactly to his requirements.

Total operating hours	<input type="text" value="2300"/>	
Length of contract	<input type="text" value="3,5"/>	years

5

WHOLE RANGE OF BOBCAT PRODUCTS

Skid-steers or excavators, compact track loaders or telehandlers. The maintenance calculator covers the complete range of Bobcat machines.




ALL
EM
CTL
MEB
SAL
TLS

6

25 AT ONCE



Thanks to the "matrix calculations" feature you select only machine and the Maintenance Calculator will perform up to 25 calculations "in one click". Your pricing table is ready in seconds.

Length of contract	Yearly operating hour				
	400	500	700	800	1 000
2 years	405,04 €	1 090,00 €	1 154,65 €	1 390,80 €	1 913,77 €
3 years	1 108,13 €	1 468,14 €	1 985,10 €	2 054,80 €	3 255,74 €
4 years	1 553,07 €	2 061,05 €	2 440,68 €	3 340,69 €	4 103,60 €
5 years	2 148,33 €	2 405,34 €	3 751,50 €	4 208,43 €	5 503,00 €
6 years	2 537,11 €	3 534,91 €	4 383,77 €	4 772,38 €	6 070,87 €

7

AD HOC MAINTENANCE

Make an offer for single maintenance quickly and easily. Select the machine and the type of maintenance – and the total price (labor, parts, fluids) is immediately available.


Planned Maintenance Quotation


Total Price **226,18 €**

Model	Service Type (Hours)	Labor Cost	Travel Costs	Maintenance Plan for hours	Labor Rate / Hour
EOB BAPC...	500	140 €	0 €	0,3	80 €

Maintenance Plan	Oil Description	Volume needed	Part No.	Unit Service	Service rate (per hour / year)	Oil Number	Part No.	Unit Cost
Engine Oil	SAE 68/100 LX 20	1,8	300	0	490/100	0	0,14	14,22
14,22 €								

Maintenance Plan	Description	Quantity	Part No.	Unit Service	Service rate (per hour / year)	Part Number	Unit Cost
Engine Oil Filter	68/100 LX 20	1	60	0	49/001		4,4 €
Lub Oil	SAE 68/100 LX 20	1	300	0	49/100		7,8 €
Hydraulic / Hydraulic Filter	HYDRAULIC FILTER	1	300	0	49/100		10,2 €
Hydraulic Reservoir Breather Cap	CAP	1	300	0	47/147		0,8 €
14,22 €							

8

MAINTENANCE OVERVIEW

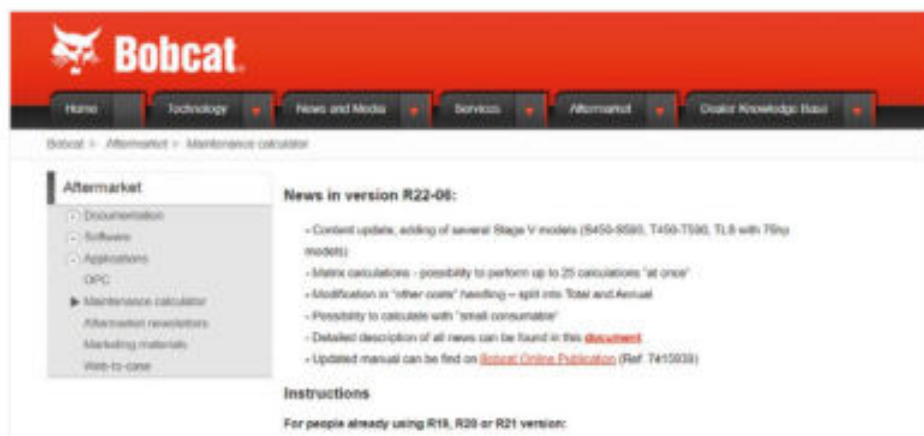
Maintenance plans are available to users in a clear form and with one click.

Machine Designation	EOB BAPC...	Description	OPERATION	PR	QUANTITY	OP MAINTENANCE	STANDARD FREQUENCY	MAXIMUM MONTHS
Fuel Filter		REPLACE	607152	L,0	200	200	12	12
Engine Oil		DRAIN	607038	L,8	50	500	12	12
Engine Oil Filter		REPLACE	607057	L,0	50	500	12	12
Hydraulic Sub/HECK		CHECK			50	500	12	12
Hydraulic / Hydraulic Filter		REPLACE	605336	L,0	200	500	12	12
Engine Valves		ADJUST			500	500	12	12
Hydraulic Reservoir Breather Cap		REPLACE	472475	L,0	200	500	12	12
Travel Motors (Final Drive)		DRAIN	6087946	L,0	100	1 000	12	12
Air Filter water		REPLACE	607372	L,0	1 000	1 000	12	12
Drive belt - alternator		REPLACE	608029	L,0	1 000	1 000	36	36
Hydraulic Fluid		DRAIN	6087918	L,8	1 000	1 000	12	12
Air Filter Intake		REPLACE	607373	L,0	2 000	2 000	24	24
Engine Coolant		DRAIN	6087916	L,0	1 000	1 000	24	24

AVAILABLE TOOLS

MAINTENANCE CALCULATOR APPLICATION

For free download visit BOBCAT.EU / AFTERMARKET.



The screenshot shows the Bobcat Aftermarket website. The main navigation bar includes Home, Technology, News and Media, Services, Aftermarket, and Dealer Knowledge Base. The breadcrumb trail reads: Bobcat > Aftermarket > Maintenance calculator. On the left, a sidebar menu lists various categories, with 'Maintenance calculator' selected. The main content area is titled 'News in version R22-06:' and lists several updates:

- Content update, adding of several Stage V models (S450-S590, T450-T590, TL8 with 75hp models)
- Matrix calculations - possibility to perform up to 25 calculations "at once"
- Modification in "other costs" handling - split into Total and Annual
- Possibility to calculate with "small consumable"
- Detailed description of all news can be found in this [document](#)
- Updated manual can be found on [Bobcat Online Publication](#) (Ref. 7415939)

 Below the news, there is an 'Instructions' section with the note: 'For people already using R19, R20 or R21 version:'.



OPERATIONAL MANUAL

Freely available in 5 languages on the Bobcat Online Publication web under reference number **7415939**.



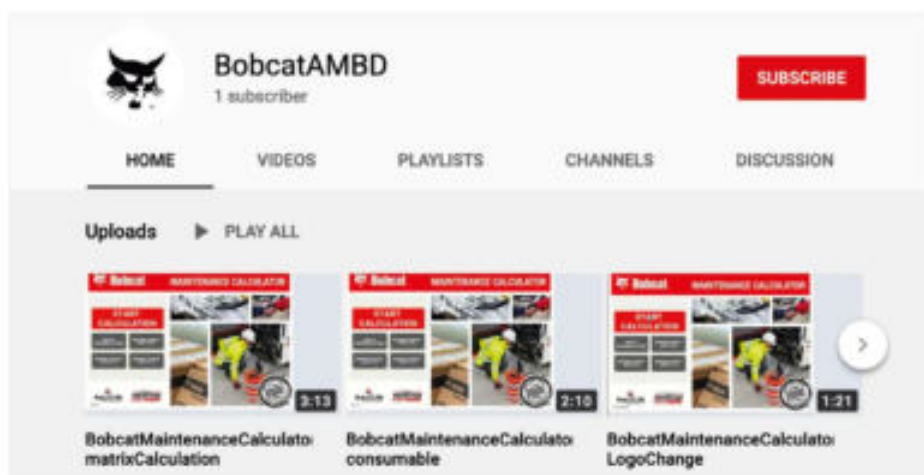
The screenshot shows the Bobcat Online Publication website. The main navigation bar includes Home, Browse, Order History, FAQ, and Contact. Below the navigation bar, there is a 'Publication' section with a table listing publications. The table has columns for Publication, Ref., Language, Date, Product, Model, SN, and Title.

Publication	Ref.	Language	Date	Product	Model	SN	Title
SN	7415939-DE	DE	06-20			->	Maintenance Calculator
SN	7415939-EN	EN	06-20			->	Maintenance Calculator
SN	7415939-ES	ES	06-20			->	Maintenance Calculator
SN	7415939-FR	FR	06-20			->	Maintenance Calculator
SN	7415939-IT	IT	06-20			->	Maintenance Calculator



YOUTUBE

Videos on BobcatAMBD YouTube channel.



The screenshot shows the BobcatAMBD YouTube channel page. The channel name is 'BobcatAMBD' with 1 subscriber. The navigation tabs are HOME, VIDEOS, PLAYLISTS, CHANNELS, and DISCUSSION. The 'Uploads' section is active, showing a 'PLAY ALL' button and three video thumbnails. The thumbnails are titled 'BobcatMaintenanceCalculator matrixCalculation' (3:13), 'BobcatMaintenanceCalculator consumable' (2:10), and 'BobcatMaintenanceCalculator LogoChange' (1:21).



BOBCARE PM

BobCARE PM assures you that your machines will receive the best service and maintenance care. After all, the contract is defined by the Bobcat that designed and produced the machines!

SERVICE TO SELL



BOBCARE PM

PLANNED MAINTENANCE

- ▶ A LONG-RUNNING MACHINE STARTS WITH PROPER PLANNED MAINTENANCE
- ▶ PLANNING IS WIN-WIN STRATEGY. IMPROVE CUSTOMER MACHINE UPTIME TOGETHER WITH OPTIMIZING WORKSHOP EFFICIENCY
- ▶ TRAINED TECHNICIANS, ORIGINAL PARTS & FLUIDS AND PROVEN PROCESSES



Maintaining Bobcat machine performance during its entire lifetime requires regular inspections and certified maintenance service. Bobcat dealer's BobCARE PM program is factory designed and customized to customer needs, so that maintenance is optimally planned and scheduled.

PEACE OF MIND

BobCARE PM agreement assures that your machines will receive the best service and maintenance care – after all, it's defined by the Bobcat that designed and produced them.

FLEXIBILITY

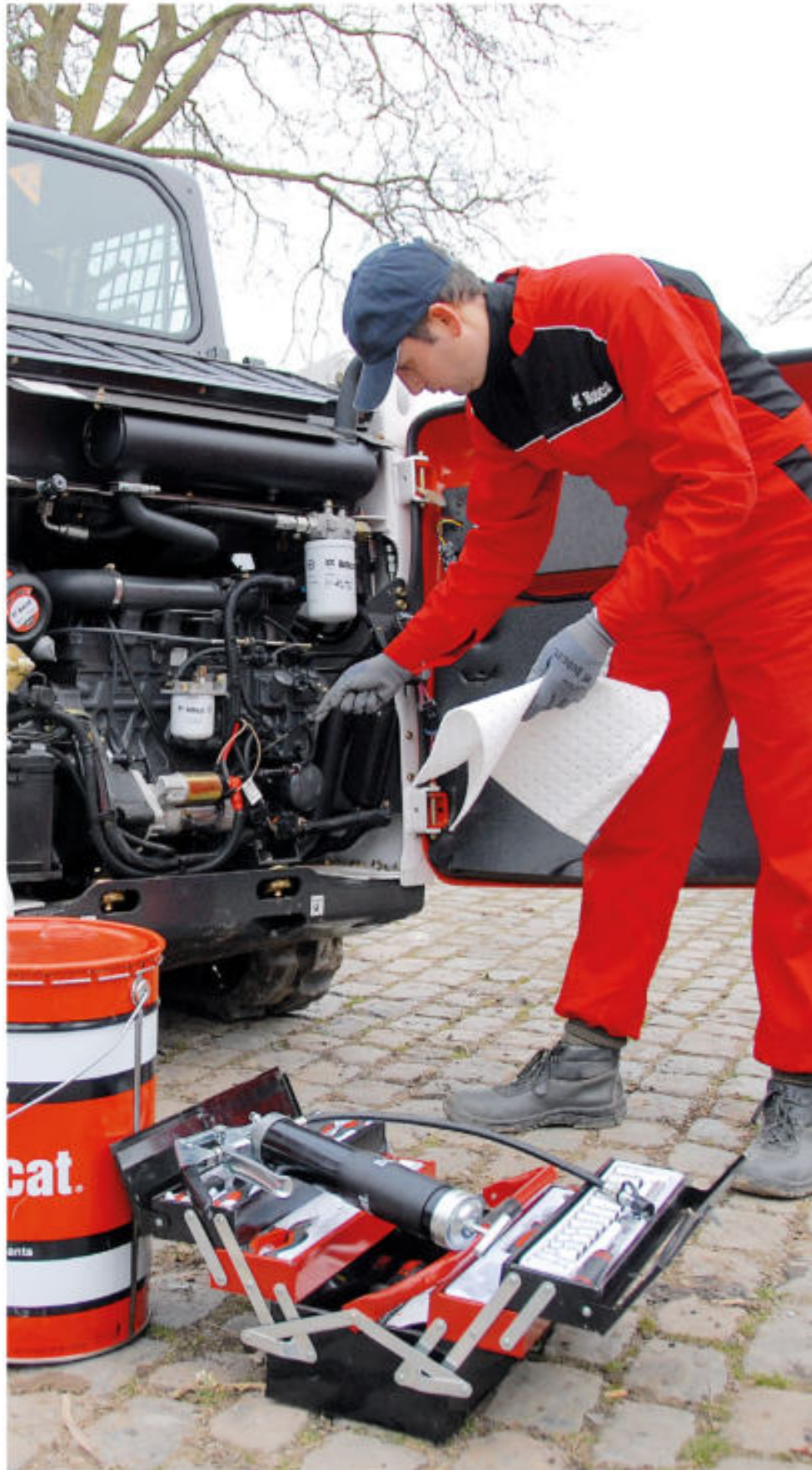
Depending on your particular fleet's needs and workload, the service can be scheduled at monthly, quarterly or annual intervals. And the service is performed where it is most convenient for you: in-house or at your dealer's site.

UNCOMPROMISED SAFETY

The regular inspections are undertaken by Bobcat trained and certified technicians using Bobcat know-how. These inspections include verifying the correct functioning of all safety features and systems and spotting potential wear-outs, so that the customer is sure his machine will perform its activities safely.

GUARANTEED QUALITY

BobCARE PM regular certified maintenance uses 100% Genuine Parts – their unrivaled design, quality and durability ensure minimum downtime and keep the machines performing optimally. BobCARE PM also protects potential resale value by keeping the machines in premium condition.



AVAILABLE TOOLS

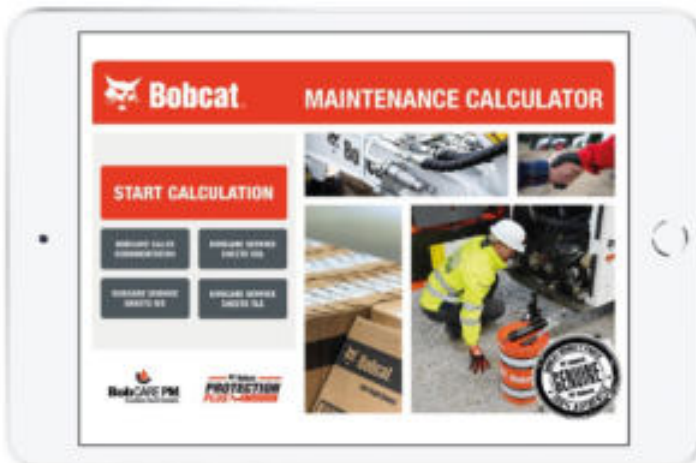
DEALER GUIDE

The BobCARE PM planned maintenance program Dealer Guide contains guidelines for the dealer principal (the person who will administer the BobCARE program) as well as the parts and service personnel.



MAINTENANCE CALCULATOR

- Calculate the cost of a prescribed maintenance operation for a selected machine and number of operating hours needed for maintenance contract preparations.
- Calculate the cost of 1 specific scheduled maintenance operation for a selected machine and number of operating hours.



MACHINE IQ

Tough becomes smart. Maximize uptime with
Bobcat® Machine IQ wireless communications

SERVICE TO SELL



MACHINE IQ

TOUGH BECOMES SMART

- ▶ ALL CRITICAL CODES REMOTELY AVAILABLE AT ANY TIME
- ▶ PREDICT MACHINE UTILIZATION TO OPTIMIZE MAINTENANCE PLANNING
- ▶ LOCATE MACHINE EASILY FOR QUICK AND PRECISE ACTIONS



MAXIMIZE UPTIME WITH BOBCAT® MACHINE IQ WIRELESS COMMUNICATIONS





KEEP MACHINE RUNNING

You can check all fault codes remotely to be aware of the machine's health and provide customer with an effective repair. You can also be notified about selected critical codes immediately by mail.



KEEP MACHINE PERFORMING

You can view machine hours remotely and plan maintenance precisely. Proactive contact with the customer optimizes usage of the machine and of your service force.



KEEP MACHINE SAFE

Seeing the machine's location online – including its history and geofence function – allows you to be notified when the machine goes in or out of selected area.

GDPR COMPLIANT

The Telematics system that the Bobcat® machine is equipped with collects information about the equipment to monitor its health, maximize its performance, and enhance the user-experience. Personal information about machine location is collected – however, not linked to a physical person (i.e. the operator), in compliance with GDPR legislation.



MAXIMIZE YOUR INCOME

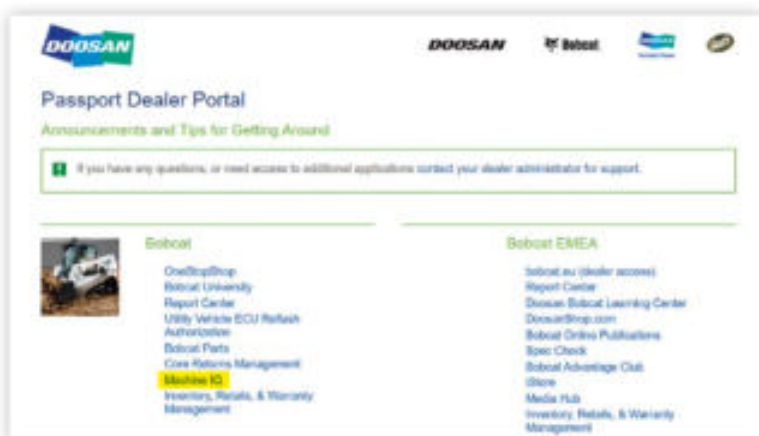
The Machine IQ Simulator helps estimate potential revenue from Service Opportunities received through Machine IQ and the resources required to proactively manage customer needs regarding Bobcat machines assigned to your dealership.



AVAILABLE TOOLS

MACHINE IQ WEB PORTAL

Free of charge application that offers you the full scope of functionalities. Accessible on Passport.



E-LEARNING

3 modules of e-learning (Introduction, Implementation, Promotion and Sales) that cover main areas and stakeholders. Available in multiple languages at Bobcat learning center.



DEALER GUIDE

Guides you through optimal implementation and helps you receive all benefits. Completed by an extensive QA chapter. To be found at dealernet (bobcat.eu) in the Services section.



CUSTOMER LEAFLET

One-page summary for end customer communication. Download it in several languages from Bobcat mediahub.



Looking for more information, visit

WWW.BOBCAT.COM 

MAINTENANCE INFORMATION

Engine service intervals

SERVICE TO LEARN



ENGINE SERVICE INTERVALS



▶ QUICK COMPARISON
BETWEEN BOBCAT MODELS

▶ INCLUDING THE REQUIRED
AMOUNT OF ENGINE OIL FOR
EASIER ORIENTATION

▶ IMPORTANT – ONLY THE
OPERATING MANUAL PROVIDES
COMPLETE INFORMATION

Keeping Bobcat machines running at peak performance requires regularly scheduled maintenance at the right time. The previous sections presented the Machine IQ application, BobCARE PM agreements, and the Maintenance Calculator. All these tools allow you to plan and monitor the regular maintenance of Bobcat machines in a sophisticated way. However, do not forget the traditional operating manuals, which you can find under the link below.

The screenshot shows the Bobcat website navigation menu with the following items: LOADERS, COMPACT EXCAVATORS, TELEHANDLERS, ATTACHMENTS, SERVICE AND SUPPORT, and PARTS AND ACCESSORIES. The 'Maintenance Schedules' dropdown menu is open, showing 'Maintenance Schedules: Current Models' and 'Maintenance Schedules: Non-Current Models'. The 'Current Models' section is expanded to show 'Skid-Steer Loaders'.

Current Loaders	S/N Prefix	Download
S70	B38W	Download
S100	A8ET	Download
S450	A9W	Download
S310	A3MK, A2N4	Download
S330	A2N7	Download
S300	B3GY	Download
S370	B3GZ	Download
S380	B3H1	Download

AS AN ACCESSORY AND TOOL FOR A QUICK OVERVIEW, WE HAVE PREPARED A SUMMARY OF BASIC SERVICE INTERVALS FOR EACH MODEL. YOU CAN FIND THEM GROUPED BY MODEL SERIES ON THE FOLLOWING PAGES.





SSL

OVERVIEW OF ENGINE SERVICE INTERVALS

MODEL	SN PREFIX	ENGINE TYPE	ENGINE SERVICE INTERVALS (OPERATING HOURS)	QUANTITY OF ENGINE OIL (LIT.)
A770	B3BU	B 3.4L 68KW St IV	250	11.4
S100	A8ET	K V1505-EU-1 St IIIA	250	4.5
S100	B4KH	K V1505-T4F St V	250	4.5
S450	AV9V	K V2203-E2B St IIIA	250	8.7
S450	B1E6	K V2203-E2B St IIIA	250	8.7
S450	B4J7	B 2.4L 36KW St V	500	8.6
S510	AZN4	K V2203-E2B St IIIA	250	8.7
S510	AZN5	K V2203-E2B St IIIA	250	8.7
S510	B424	K V2403-MDI-E3B Tier 4	250	8.7
S510	B4JB	B 2.4L 41KW St V	500	8.6
S530	AZN6	K V2203-E2B St IIIA	250	8.7
S530	AZN7	K V2203-E2B St IIIA	250	8.7
S530	B428	K V2403-MDI-E3B Tier 4	250	8.7
S530	B4KA	B 2.4L 41KW St V	500	8.6
S550	AZN8	K V2607 T DI INT Tier 4	250	9.7
S550	B3GY	B 2.4L 45KW St IIIB	500	8.6
S570	AZNB	K V2607 T DI INT Tier 4	250	9.7
S570	B3GZ	B 2.4L 45KW St IIIB	500	8.6
S590	AZND	K V2607 T DI INT Tier 4	250	9.7
S590	B3H1	B 2.4L 49KW St IIIB	500	8.6
S630	A3NT	K V3307-TE3 St IIIA	250	11.4
S630	A3NU	K V3307-TE3 St IIIA	250	11.4
S630	B2L5	B 2.4L 55KW St IIIB	500	8.6
S650	A3NV	K V3307-TE3 St IIIA	250	11.4
S650	A3NW	K V3307-TE3 St IIIA	250	11.4
S650	B2LA	B 2.4L 55KW St IIIB	500	8.6
S66	B51U	B 2.4L V2 55.2KW St V	500	9.2
S70	B38V	K D1005-E4B-BC-3	125	3.7
S70	B38W	K D1005-E4B-BC-3	125	3.7
S70	B4UC	K D1005-E4B-BC-3	125	3.7
S76	B4ZY	B 2.4L V2 55.2KW St V	500	9.2
S770	A3P4	K V3800-TE3 St IIIA	250	11.4
S770	A3P5	K V3800-TE3 St IIIA	250	11.4
S770	B38V	B 3.4L 68KW St IV	500	12.6
S850	ACS7	K V3800-TE3 St IIIA	250	11.4
S850	ACSL	K V3800-TE3 St IIIA	250	11.4
S850	B3BY	B 3.4L 68KW St IV	500	12.6



CTL

OVERVIEW OF ENGINE SERVICE INTERVALS

MODEL	SN PREFIX	ENGINE TYPE	ENGINE SERVICE INTERVALS (OPERATING HOURS)	QUANTITY OF ENGINE OIL (LIT.)
MT55	B38U	K D902-E4B-BC-1	100	3.6
T450	B1EM	B 2.4L 45KW St IIIB	500	8.6
T590	B3Z7	B 2.4L 49KW St IIIB	500	8.6
T590	B3ZA	K V2607 T DI INT Tier 4	250	9.7
T650	A3P0	K V3307-TE3 St IIIA	250	11.4
T650	A3P1	K V3307-TE3 St IIIA	250	11.4
T650	B2KZ	B 2.4L 55KW St IIIB	500	8.6
T66	B51V	B 2.4L V2 55,2KW St V	500	9.2
T76	B4ZZ	B 2.4L V2 55,2KW St V	500	9.2
T770	A3P9	K V3800-TE3 St IIIA	250	11.4
T770	B3BW	B 3.4L 68KW St IV	500	12.6
T870	B47L	B 3.4L 68KW St IV	500	12.6
T870	B3BZ	B 3.4L 68KW St IV	500	12.6
T870	B47H	K V3800-TE3 St IIIA	250	11.4



MEX

OVERVIEW OF ENGINE SERVICE INTERVALS

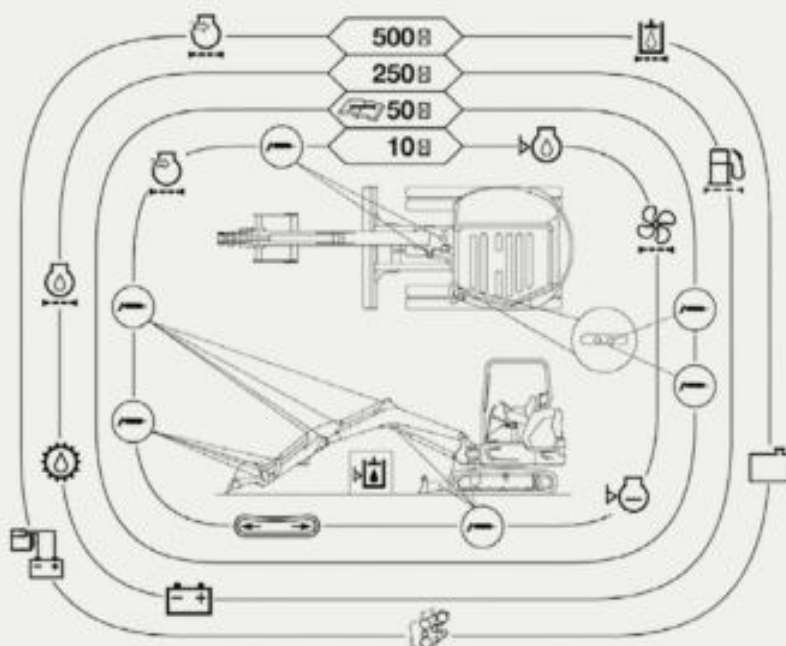
MODEL	SN PREFIX	ENGINE TYPE	ENGINE SERVICE INTERVALS (OPERATING HOURS)	QUANTITY OF ENGINE OIL (LIT.)
E08	B4PC	K D722-E4B-BCZ-6	500	2.8
E10	A33P	K D722-E4B-BCZ-6	500	3.5
E10z	B4PD	K D722-E4B-BCZ-6	500	2.8
E16	AHLL	K D722-E2B-BCZ-5	500	3.5
E17	B27H	K D722-E2B-BCZ-7 Tier 2	500	3.3
E17	B4PJ	K D722-E4B-BCZ-7 St V	500	3.3
E17z	B4AW	K D722-E2B-BCZ-7 Tier 2	500	3.3
E17z	B4PF	K D722-E4B-BCZ-7 St V	500	3.3
E19	AWMM	K D722-E2B-BCZ-7 Tier 2	500	3.3
E19	B4PK	K D722-E4B-BCZ-7 St V	500	3.3
E20	AWRH	K D722-E2B-BCZ-7 Tier 2	500	3.3
E20z	B4PH	K D722-E4B-BCZ-7 St V	500	3.3
E25	AB8B	K D1105-E2B-BCZ-2	250	3.6
E26	ACRA	K D1105-E2B-BCZ-2	250	5.1
E26	B4B8	K D1105-E4B-BCZ-1	250	3.6
E27	B4BA	K D1305-E4B-BCZ-1	250	4
E27z	B4B9	K D1105-E4B-BCZ-1	250	3.6
E32	B3CS	K D1803-E3B-BC-3	500	5.2
E34	B3Y3	K D1703-E4B-BC-2 St V	500	5.2
E35	B3GR	K D1803-E3B-BC-3	500	5.2
E35z	B3Y4	K D1703-E4B-BC-2 St V	500	5.2
E37	B4S6	K D1803-E3B-BC-3 Tier 4	500	5.2
E45	B3NR	K V2403-E3B-BC-5	500	7.1
E45	AHHC	K V2403-E3B-BC-5	500	7.1



TLS

OVERVIEW OF ENGINE SERVICE INTERVALS

MODEL	SN PREFIX	ENGINE TYPE	ENGINE SERVICE INTERVALS (OPERATING HOURS)	QUANTITY OF ENGINE OIL (LIT.)
T35.105	B414	B 3.4L 74.5KW St IV	500	12.6
T35.105	B415	B 3.4L 55KW St IIIB	500	12.6
T35.105	B416	B 3.4L 74.5KW St IV	500	12.6
T35.105	B417	B 3.4L 55KW St IIIB	500	12.6
T35.130	B41A	B 3.4L 74.5KW St IV	500	12.6
T35.130	B41B	B 3.4L 55KW St IIIB	500	12.6
T35.130	B41C	B 3.4L 74.5KW St IV	500	12.6
T35.130	B41D	B 3.4L 55KW St IIIB	500	12.6
T35.140	B41F	B 3.4L 74.5KW St IV	500	12.6
T35.140	B41G	B 3.4L 55KW St IIIB	500	12.6
T36.120	B418	B 3.4L 74.5KW St IV	500	12.6
T36.120	B419	B 3.4L 55KW St IIIB	500	12.6
T40.180	B41L	B 3.4L 74.5KW St IV	500	12.6
T40.180	B41M	B 3.4L 55KW St IIIB	500	12.6
T40180	B33G	P 1104D-44TA	500	8.5
T40180	B33J	DTZ TCD 3.6 L04 100	500	8
T41.140	B41H	B 3.4L 74.5KW St IV	500	12.6
T41.140	B41K	B 3.4L 55KW St IIIB	500	12.6
TL26.60	B3YF	B 3.4L 74.5KW St IV	500	12.6
TL26.60	B3YG	B 3.4L 55KW St IIIB	500	12.6
TL26.60	B3ZH	B 3.4L 74.5KW St IV	500	12.6
TL26.60	B3ZJ	B 3.4L 55KW St IIIB	500	12.6
TL30.60	B3YD	B 3.4L 74.5KW St IV	500	12.6
TL30.60	B3YE	B 3.4L 55KW St IIIB	500	12.6
TL30.60	B3Z8	B 3.4L 74.5KW St IV	500	12.6
TL30.60	B3Z9	B 3.4L 55KW St IIIB	500	12.6



**BE TOUGH,
TACKLE ANY TASK**



